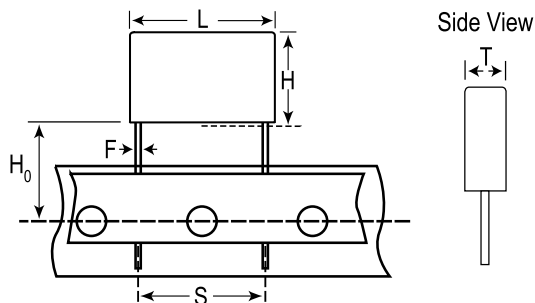


**KEMET Part Number: PME271M547MR19T0**  
(P276QL473M275L)

Capacitor, Film, Metallized Paper, 0.047 uF, +/-20% Tol, -40/+110C, Safety: X2, 275 VAC, Lead Spacing=15.2 mm



General Information	
Supplier:	KEMET
Dielectric:	Metallized Paper
Application:	Safety: X2
Style:	Radial Molded
Lead Form:	Wire Leads
Features:	Pulse
Approvals:	ENEC,UL,cUL
RoHS:	Yes

Dimensions (mm)		
Symbol	Dimension	Tolerance
L	18.5	MAX
H	12.5	MAX
T	6	MAX
S	15.2	+/-0.5
F	0.8	NOM
H0	18.5	+/-0.5

Specifications	
Capacitance:	0.047 uF
Voltage:	630 VDC
Tolerance:	+/-20%
Voltage AC:	275 VAC
Rated Temperature:	110C
Temperature Range:	-40/+110C
Dissipation Factor @ 1 kHz:	1.3%
Insulation Resistance:	12 GOhm
Maximum dVdT:	1200 v/us
Miscellaneous:	SRF= 7 MHz

Packaging Specifications	
Package Kind:	T&R
Package Size:	Standard
Package Quantity:	400