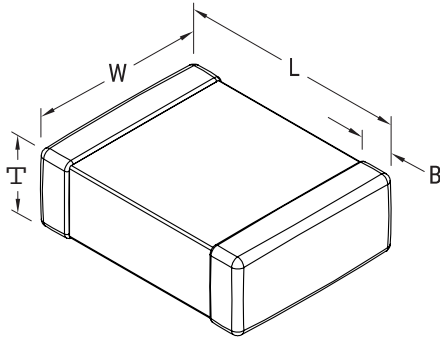


KEMET Part Number: LDBC2220GC5N0
(DBC2220GC5N0)

LDB, Film, Metallized PPS Stacked, General Purpose, 0.022 uF, 2%, 50 VDC, 125C, 1210, 1.5mm



Dimensions	
Chip Size	1210
L	3.3mm +0.3/-0.1mm
W	2.5mm +/-0.3mm
T	1.5mm MAX
B	0.5mm +0.5/-0.3mm

Packaging Specifications	
Packaging:	T&R
Packaging Quantity:	2250

General Information	
Supplier:	KEMET
Series:	LDB
Dielectric:	Metallized PPS Stacked
Style:	SMD Chip
RoHS:	Yes
Shelf Life:	104 Weeks
MSL:	3

Specifications	
Capacitance:	0.022 uF
Capacitance Tolerance:	2%
Voltage DC:	50 VDC
Temperature Range:	-55/+125C
Rated Temperature:	125C
Dissipation Factor:	0.60% 1kHz
Insulation Resistance:	3 GOhms