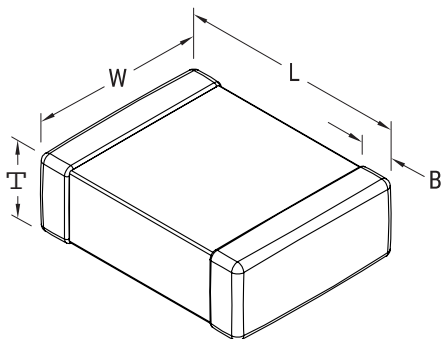


KEMET Part Number: LDBCA1330GC5N0
(DBCA1330GC5N0)

LDB, Film, Metallized PPS Stacked, General Purpose, 3300 pF, 2%, 50 VDC, 125C, 1206, 1.1mm



| Dimensions | |
|------------|-------------------|
| Chip Size | 1206 |
| L | 3.3mm +0.3/-0.1mm |
| W | 1.7mm +/-0.2mm |
| T | 1.1mm MAX |
| B | 0.5mm +0.5/-0.3mm |

| Packaging Specifications | |
|--------------------------|------|
| Packaging: | T&R |
| Packaging Quantity: | 3000 |

| General Information | |
|---------------------|------------------------|
| Supplier: | KEMET |
| Series: | LDB |
| Dielectric: | Metallized PPS Stacked |
| Style: | SMD Chip |
| RoHS: | Yes |
| Shelf Life: | 104 Weeks |
| MSL: | 3 |

| Specifications | |
|------------------------|------------|
| Capacitance: | 3300 pF |
| Capacitance Tolerance: | 2% |
| Voltage DC: | 50 VDC |
| Temperature Range: | -55/+125C |
| Rated Temperature: | 125C |
| Dissipation Factor: | 0.60% 1kHz |
| Insulation Resistance: | 3 GOhms |