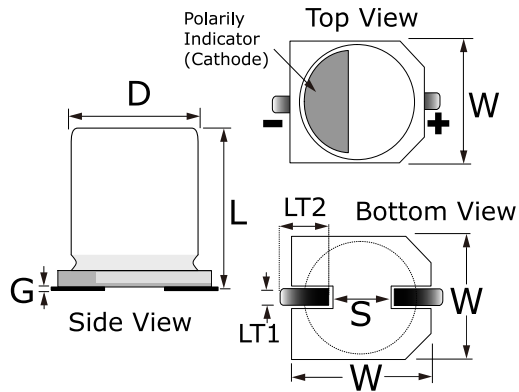


**KEMET Part Number: FCS0V474ZFTBR24**  
(USCFCS0V474ZBC)

FCS, Supercapacitors, SMD Can, 0.47 F, -20/+80%, 3.5 VDC, V-Chip



#### Dimensions

|            |                 |
|------------|-----------------|
| <b>D</b>   | 10.7mm +/-0.5mm |
| <b>L</b>   | 8.5mm MAX       |
| <b>W</b>   | 10.8mm +/-0.2mm |
| <b>S</b>   | 5mm NOM         |
| <b>G</b>   | 0mm +0.3/-0.1mm |
| <b>LT1</b> | 1.2mm +/-0.1mm  |
| <b>LT2</b> | 3.9mm +0.5mm    |

#### Packaging Specifications

|                   |            |
|-------------------|------------|
| <b>Lead:</b>      | V-Chip     |
| <b>Weight:</b>    | 1.4 g      |
| <b>Packaging:</b> | T&R, 380mm |

#### General Information

|                     |                                      |
|---------------------|--------------------------------------|
| <b>Series:</b>      | FCS                                  |
| <b>Description:</b> | Surface Mount Double Layer Capacitor |
| <b>Features:</b>    | Ultra Low ESR, High Power Pulse      |
| <b>RoHS:</b>        | Yes                                  |
| <b>AEC-Q200:</b>    | No                                   |

#### Specifications

|                               |                    |
|-------------------------------|--------------------|
| <b>Capacitance:</b>           | 0.47 F             |
| <b>Capacitance Tolerance:</b> | -20/+80%           |
| <b>Voltage DC:</b>            | 3.5 VDC            |
| <b>Temperature Range:</b>     | -25/+70°C          |
| <b>Rated Temperature:</b>     | 70°C               |
| <b>Resistance:</b>            | 50000 mOhms (1kHz) |
| <b>Ripple Current:</b>        | 0.42 mAmps (30min) |