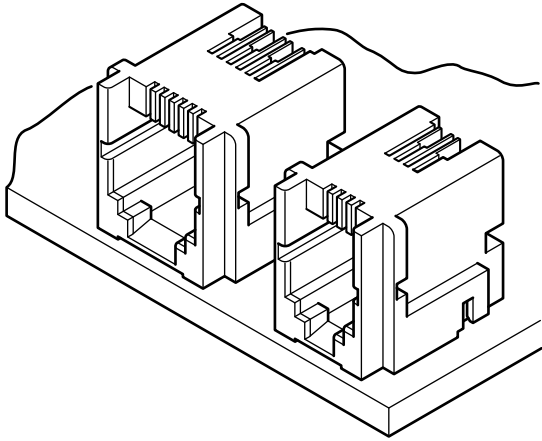


# MJ CONNECTOR

Modular jack connectors



- Upper contact point (Normal type)
- Metal hook
- Shielding effect
- Grounding
- Correspond to high-speed LAN transmission (MJ-88U-SD315K-T)

## Specifications

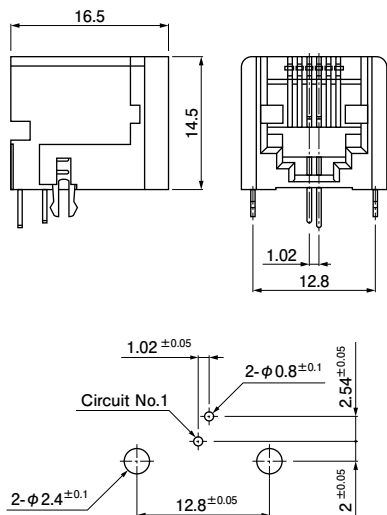
- Current rating: 1.3 A AC/DC
  - Voltage rating: 250 V AC/DC
  - Temperature range:  $-40^{\circ}\text{C}$  to  $+80^{\circ}\text{C}$   
(including temperature rise in applying electrical current)
  - Contact resistance: Initial value/ 20 m $\Omega$  max.  
After environmental tests/ 40 m $\Omega$  max.
  - Insulation resistance: 1,000 M $\Omega$  min.
  - Withstanding voltage: 1,000 VAC/minute
  - Applicable PC board thickness: 1.6 mm  
2.4 mm (8 circuits straight type)
- \* In using the products, refer to "Handling Precautions for Terminals and Connectors" described on our website (Technical documents of Product information page).
- \* RoHS2 compliance
- \* Dimensional unit: mm
- \* Contact JST for details.

## Standards

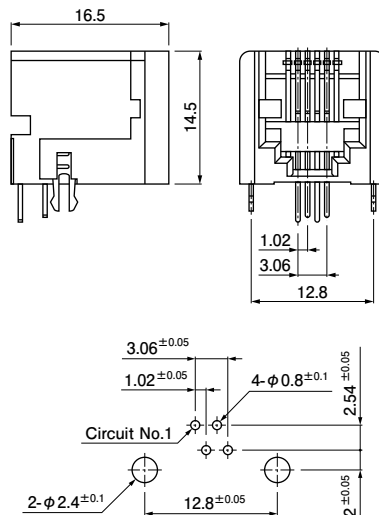
- ☑ Recognized E174260
- ☑ Certified LR20812
- Conforms to FCC Standard  
(6 circuits and 8 circuits MJ connector)

## Connector and PC board layout

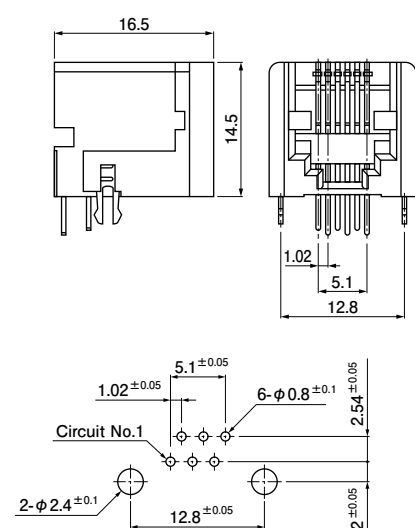
Normal type  
2/6 type



4/6 type



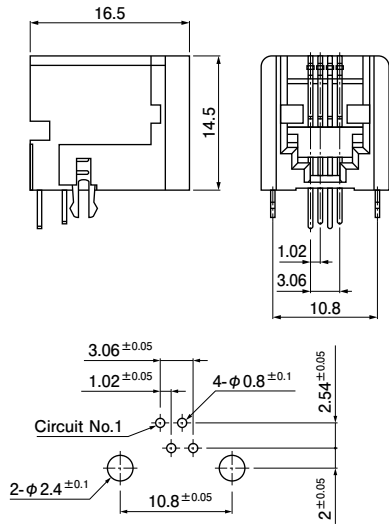
6/6 type



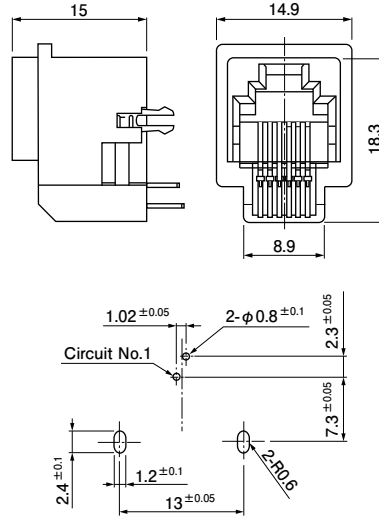
- Note: 1. The above figure is the figure viewed from the connector mounting side.  
2. Tolerances are non-cumulative:  $\pm 0.05$  mm for all centers.  
3. Hole dimensions differ according to the type of PC board and piercing method.  
The dimensions above should serve as a guideline. Contact JST for details.

## Connector and PC board layout

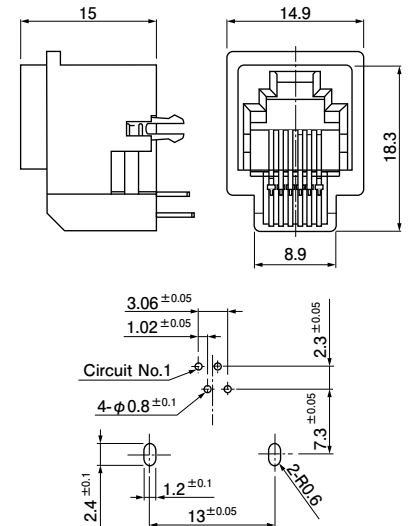
**Normal type**  
4/4 type



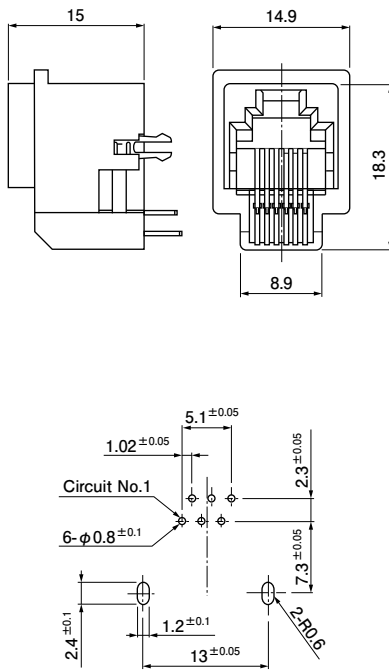
**Straight type**  
2/6 type



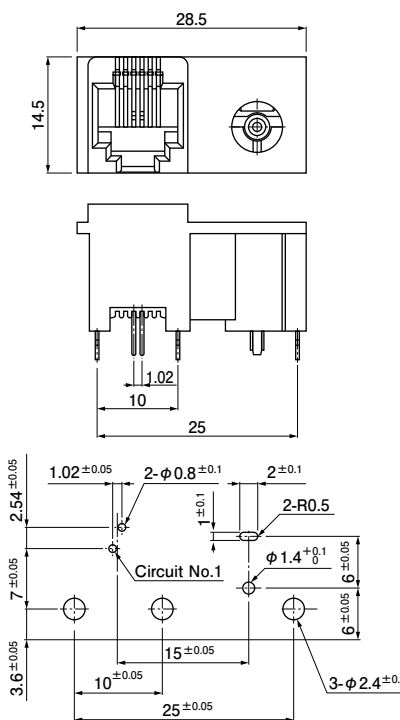
**4/6 type**



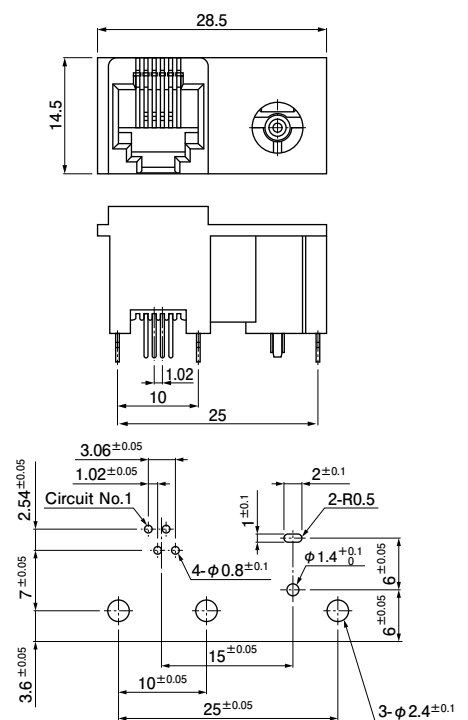
**Straight type**  
6/6 type



**2/6 type with DC jack**



**4/6 type with DC jack**



Type	No. of circuits	Model No.	Q'ty/box
Normal type	2/6	MJ-62J-RD315	270
	4/6	MJ-64J-RD315	270
	6/6	MJ-66J-RD315	270
	4/4	MJ-44J-RD315	306
Straight type	2/6	MJ-62C-SD335	180
	4/6	MJ-64C-SD335	180
	6/6	MJ-66C-SD335	180
	2/6 with DC jack	MJ-62D-SD335	108
4/6 with DC jack	MJ-64D-SD335	108	

**RoHS2 compliance** Normal type displays (LF)(SN) on a label.  
The product with DC jack displays (LF) on a label.

### Material and Finish

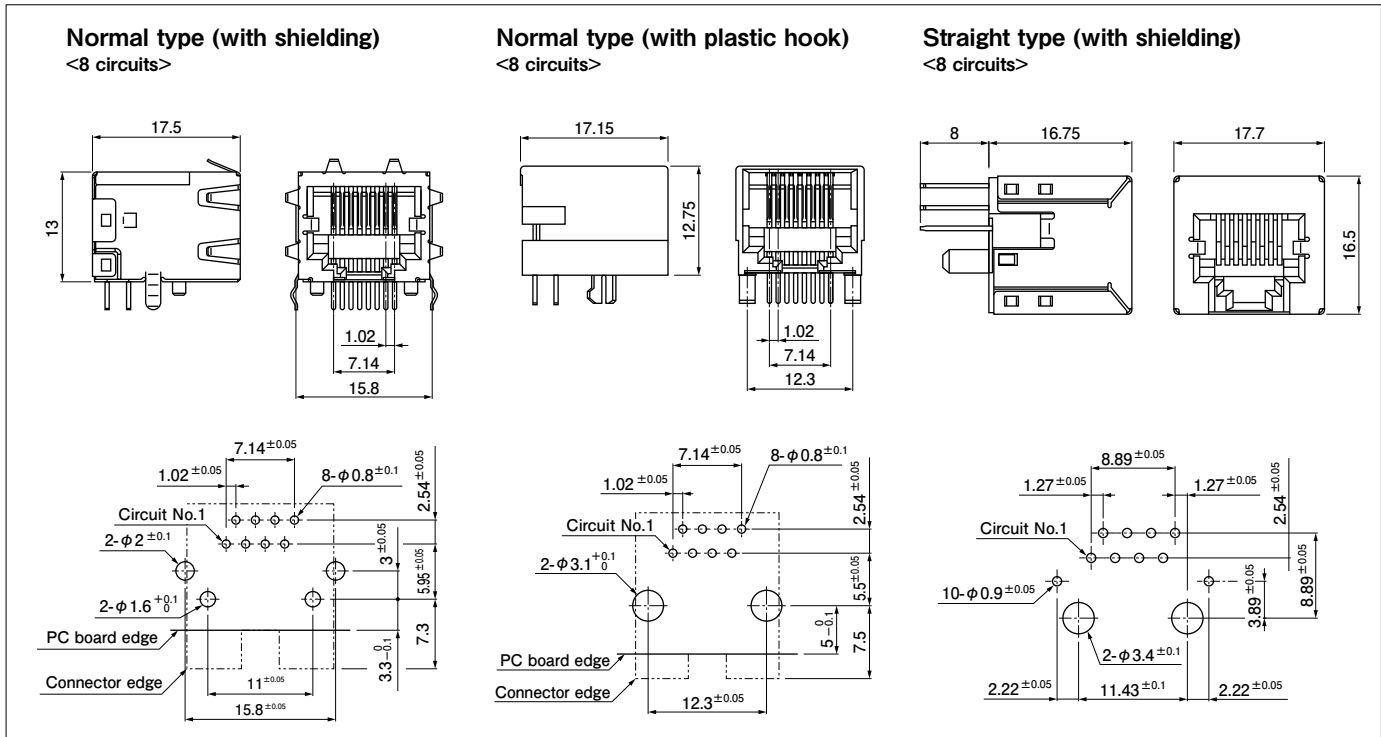
Contact: Normal type/ Phosphor bronze, nickel-undercoated,  
Mating part: gold-plated 1.27 μm min.  
Solder tail: tin-plated (reflow treatment)  
Straight type/ Phosphor bronze, nickel-undercoated,  
Mating part: gold-plated 1.27 μm min.  
Overall: gold-plated (flash)

Housing: Glass-filled PBT, UL94V-0  
Hook pin: Brass, tin-plated (reflow treatment)  
Moving contact (spring): Copper alloy, tin-plated (reflow treatment) [with-DC-jack type only]  
Stationary contact (pin): Brass, nickel-undercoated, tin/copper alloy-plated [with-DC-jack type only]

- Note: 1. The above figure is the figure viewed from the connector mounting side.  
2. Tolerances are non-cumulative: ± 0.05 mm for all centers.  
3. Hole dimensions differ according to the type of PC board and piercing method.  
The dimensions above should serve as a guideline. Contact JST for details.

# MJ CONNECTOR

## Connector and PC board layout



Type	No. of circuits	Model No.	Q'ty/box
Normal type (with shielding)	8	MJ-88H-RD315K	520
Normal type (with plastic hook)	8	MJ-88R-RD315K	520
Straight type (with shielding)	8	MJ-88U-SD315K-T	144

### Material and Finish

Contact: Phosphor bronze, nickel-undercoated, Mating part; gold-plated 1.27  $\mu\text{m}$  min.  
 Solder tail; tin-plated (reflow treatment)  
 Housing: Glass-filled PBT, UL94V-0 (Normal type)  
 Glass-filled LCP, UL94V-0 (Straight type)  
 Shield cover: Phosphor bronze, tin-plated (reflow treatment) [Normal type, Straight type]  
 Shield pin: Phosphor bronze, copper-undercoated, tin-plated (reflow treatment) [Straight type]

**RoHS2 compliance** This product displays (LF)(SN) on a label.

Note: 1. The above figure is the figure viewed from the connector mounting side.

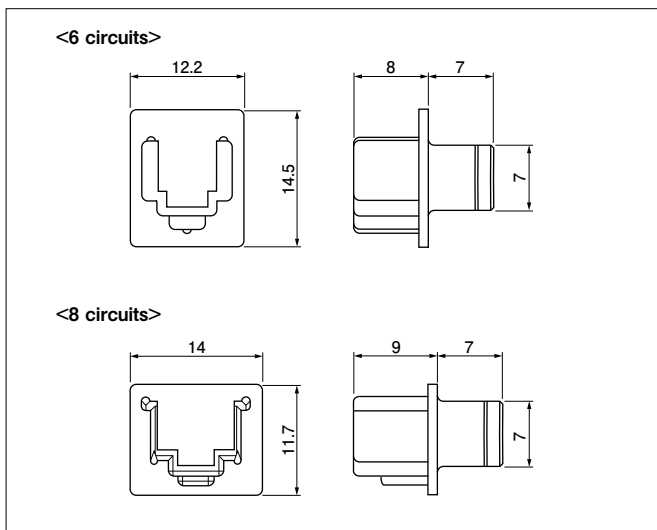
2. Tolerances are non-cumulative:  $\pm 0.05$  mm for all centers.

3. Hole dimensions differ according to the type of PC board and piercing method.

The dimensions above should serve as a guideline. Contact JST for details.

4. Straight type product is designed for pressing the boss of housing into a PC board and mounting it on a PC board.

## Cap for dust



No. of circuits	Model No.	Q'ty/box
6	MJ-JP56K	500
8	MJ-JP68K	1,000

### Material and Finish

MJ-JP56K: PA 66, UL94V-0  
 MJ-JP68K: PBT, UL94V-0

**RoHS2 compliance**

Note: Unlisted in UL/CSA.