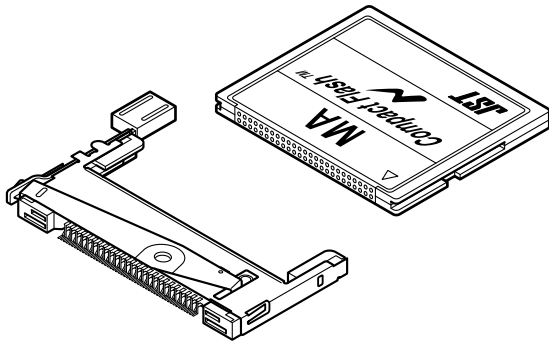




# CF CARD CONNECTOR MA Type



1.27 mm pitch/ 50-circuit CF card connector



In addition to the connectors applicable to CF type I cards, those for CF type II cards are also available.

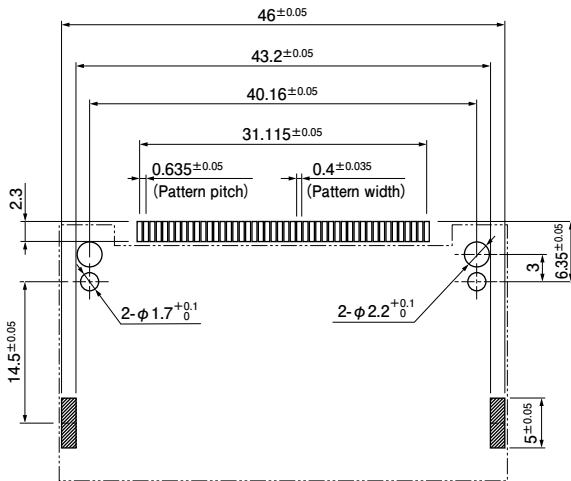
- Socket / SMT type
- Card frame / for type I cards
- Adapter / for type I, II cards
- Header / for type I, II cards
- Ejector / for type I, II cards

## Specifications

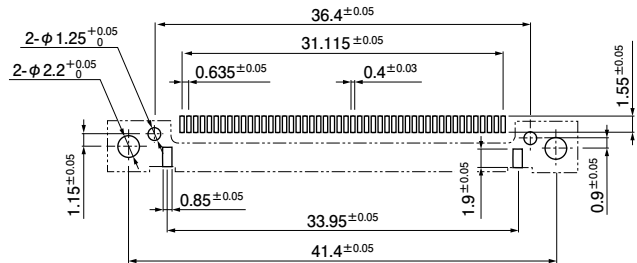
- Type: Dual-row at mating section
  - Current rating: 0.5 A/Line AC/DC
  - Temperature range: -20°C to +60°C  
(including temperature rise in applying electrical current)
  - Contact resistance: Initial value/ 40 mΩ max.  
After environmental tests/ 20 mΩ max.  
(variation from initial value)
  - Insulation resistance: 1,000 MΩ min. 500 VDC (Except for Adapter cards)
  - Withstanding voltage: 500 VAC/minute (Except for Adapter cards)
  - Mating/unmating life: 10,000 cycles
  - Conforms to CFA.
- \* In using the products, refer to "Handling Precautions for Terminals and Connectors" described on our website (Technical documents of Product information page).
- \* RoHS2 compliance
- \* Dimensional unit: mm
- \* Contact JST for details.

## PC board layout

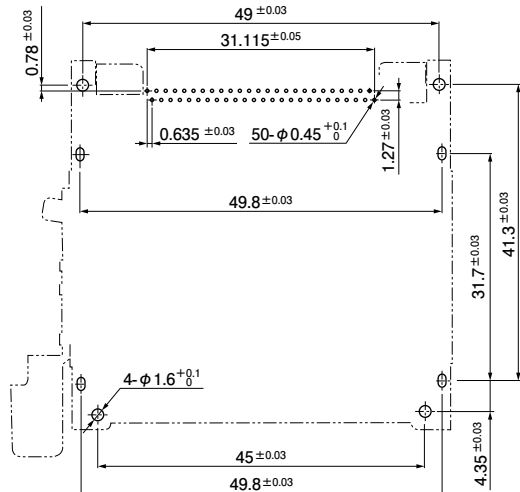
- For Type I cards/Standoff 1.64 mm  
Normal type/Reverse type



- Space-saving type For Type I cards/Standoff 0 mm  
Normal type/Reverse type



- Ejector mounted header with shutter For Type II cards  
Reverse type (Standoff 0 mm)

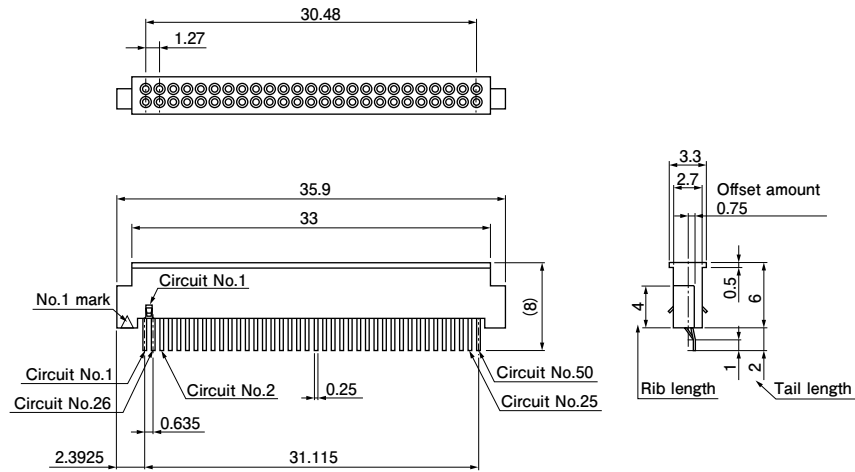


# CF CARD CONNECTOR MA Type

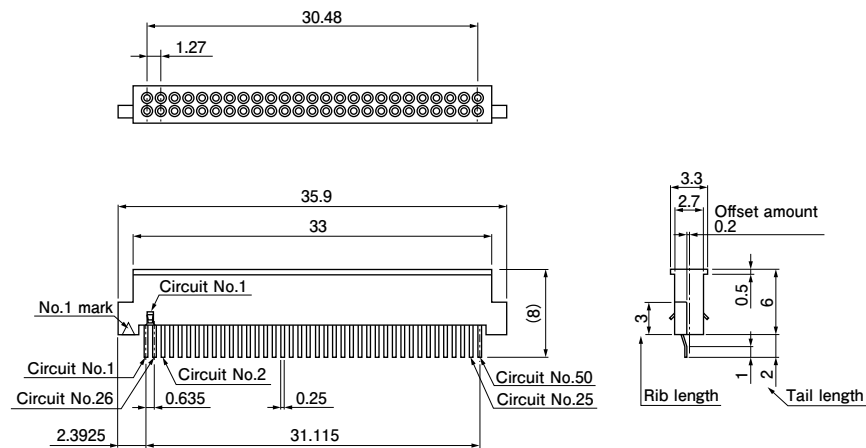
## Socket

### SMT type

#### •ICM-MA50S-TS12-3022



#### •ICM-MA50S-TS12-3023



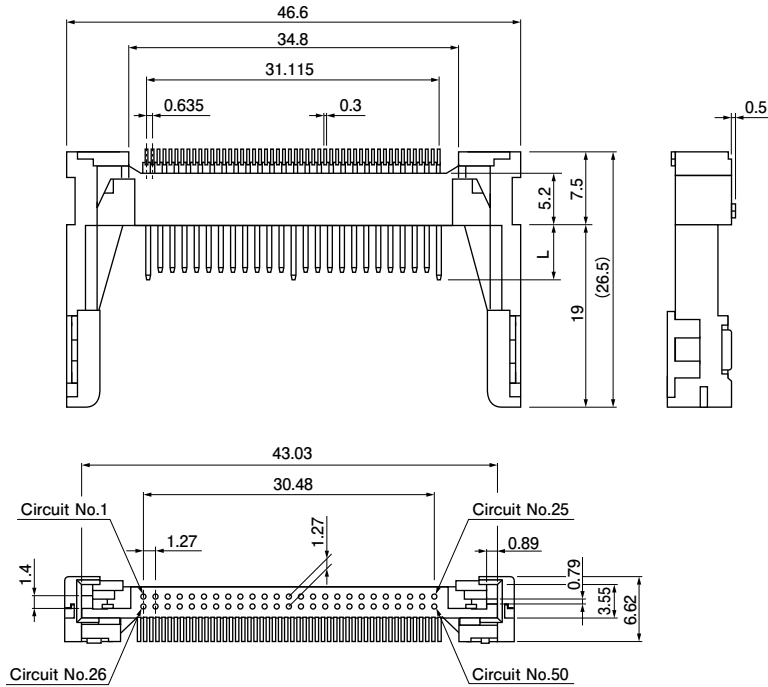
No. of circuits	Solder tail	GND spring	Offset dimensions (mm)	Rib length (mm)	Tail length (mm)	Model No.	Q'ty/reel	Material and Finish
50	Single-row SMT type	With (Circuit No.1, No.26)	0.75	4.0	2.0	ICM-MA50S-TS12-3022T	1,500	Contact: Copper alloy, nickel-undercoated, Mating part; gold-plated Solder tail; tin-plated (reflow treatment) Grounding spring: Copper alloy, nickel-undercoated, gold-plated Housing: LCP, UL94V-0, black
			0.2	3.0		ICM-MA50S-TS12-3023T		

RoHS2 compliance These products display (LF)(SN) on a label.

# CF CARD CONNECTOR MA Type

## Header (for Type I cards)

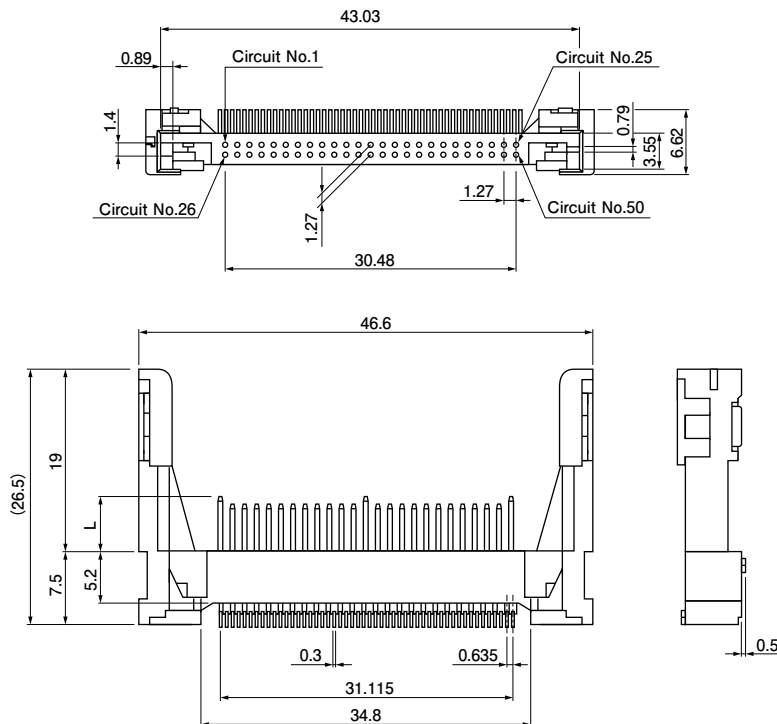
### •Normal type (Standoff 1.64 mm)



Dimension L

Circuit No.	Dimensions (mm)
1, 13, 38, 50	5.0 ± 0.1
2 to 12, 14 to 24, 27 to 37, 39 to 49	4.25 ± 0.1
25, 26	3.5 ± 0.1

### •Reverse type (Standoff 1.64 mm)



Dimension L

Circuit No.	Dimensions (mm)
1, 13, 38, 50	5.0 ± 0.1
2 to 12, 14 to 24, 27 to 37, 39 to 49	4.25 ± 0.1
25, 26	3.5 ± 0.1

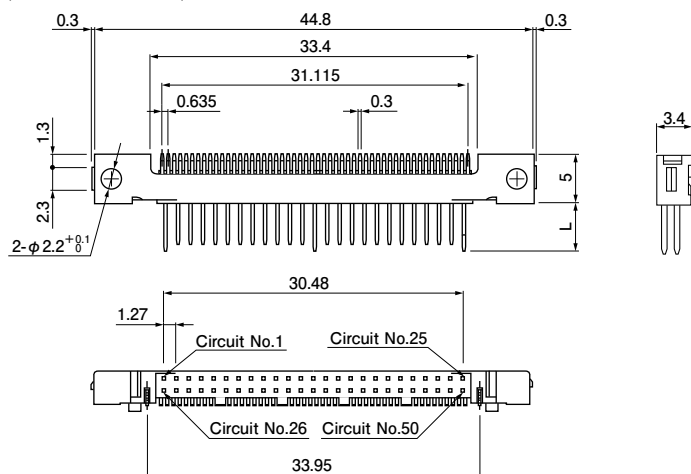
No. of circuits	Type	Model No.	Q'ty/box	Material and Finish
50	Normal	ICM-MA50H-SS52-1141	140	Contact: Phosphor bronze, nickel-undercoated, Mating part: gold-plated Solder tail: tin-plated (reflow treatment)
	Reverse	ICM-MA50H-SS52-1161	140	Housing: PPS, UL94V-0 Solder tab: Brass, copper-undercoated, tin-plated (reflow treatment)

RoHS2 compliance These products display (LF)(SN) on a label.

# CF CARD CONNECTOR MA Type

## Header (for Type I cards) / Space-saving type

### •Normal, Reverse types (Standoff 0 mm)



Dimension L

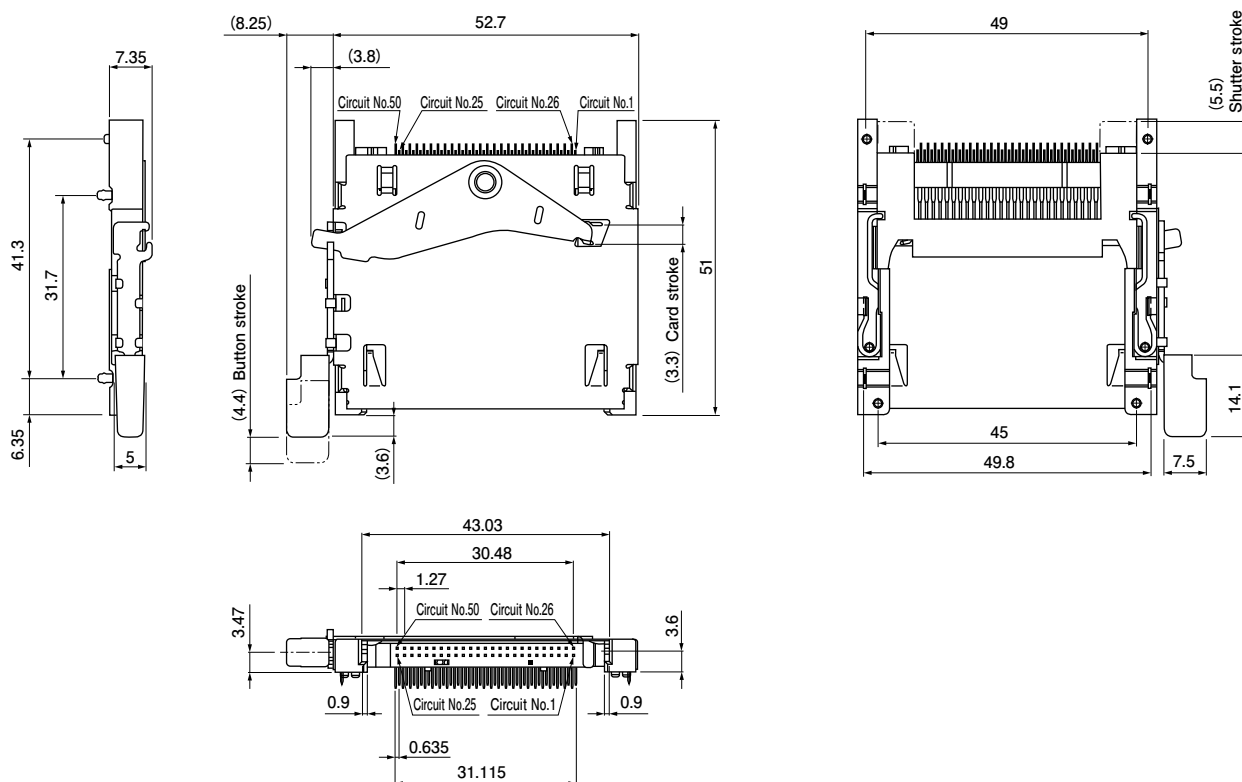
Circuit No.	Dimensions (mm)
1, 13, 38, 50	5.0 ± 0.1
2 to 12, 14 to 24, 27 to 37, 39 to 49	4.25 ± 0.1
25, 26	3.5 ± 0.1

No. of circuits	Type	Model No.	Q'ty/box	Material and Finish
50	Common use in normal and reverse	ICM-MA50H-SS52-1184	1,850	Contact: Copper alloy, nickel-undercoated, Mating part: gold-plated Solder tail: tin-plated (reflow treatment) Housing: PPS, UL94V-0, black Solder tab: Copper alloy, nickel-undercoated, tin-plated (reflow treatment)

RoHS2 compliance This product displays (LF)(SN) on a label.

## Ejector mounted header with shutter (for Type II cards)

### •Reverse type (Standoff 0 mm)



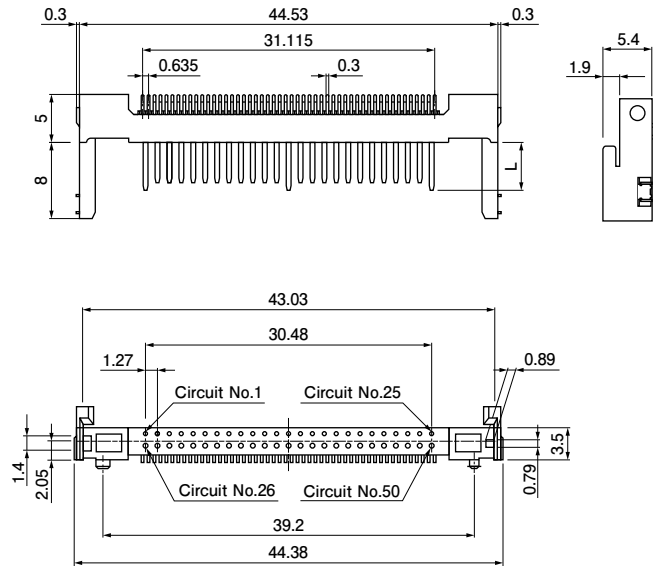
No. of circuits	Type	Model No.	Q'ty/box	Material and Finish
50	Reverse	ICM-MA2SL-SD12-RL31	128	Contact: Copper alloy, nickel-undercoated, Mating part: gold-plated Solder tail: tin-plated (reflow treatment) Housing/ Guide bar/ Push button: PPS, UL94V-0, black Lock/ Rotation arm/ Push bar: Stainless Frame: Stainless, selective nickel-undercoated, tin/copper alloy-plated

RoHS2 compliance This product displays (LF)(SN) on a label.

# CF CARD CONNECTOR MA Type

## Header (for Type II cards) / Space-saving type

### • Normal type (Standoff 0 mm)



Dimension L

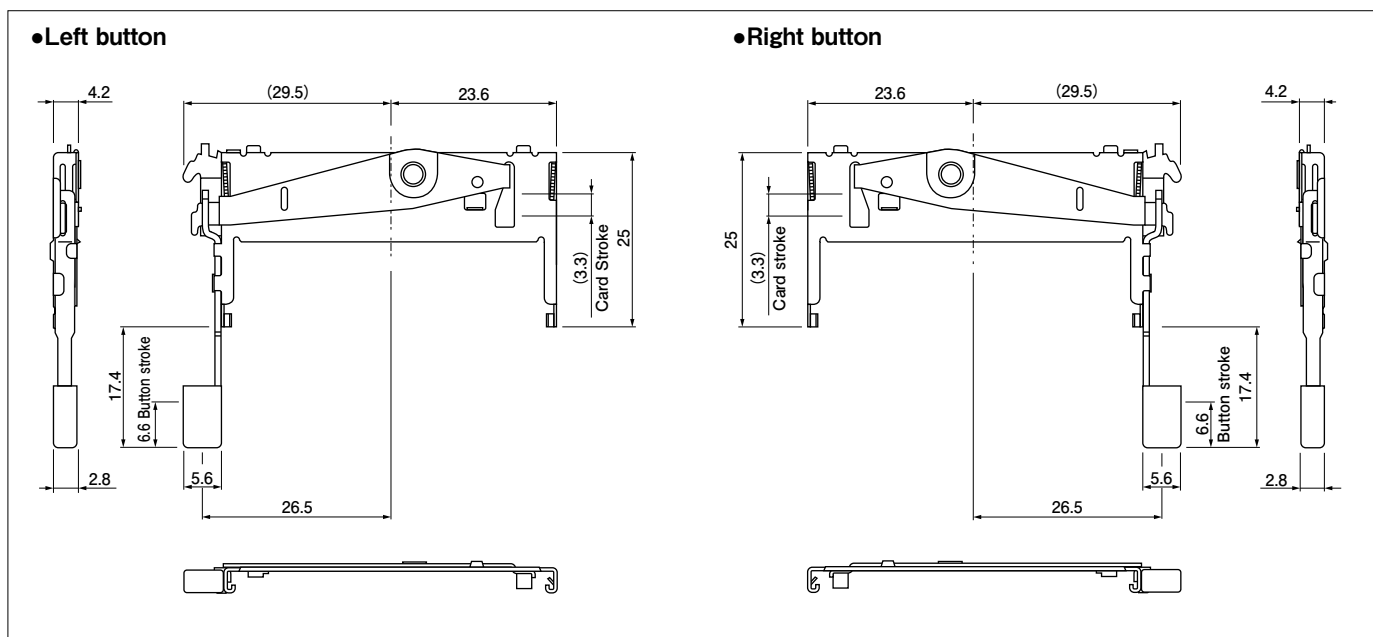
Circuit No.	Dimensions (mm)
1, 13, 38, 50	5.0 ± 0.1
2 to 12, 14 to 24, 27 to 37, 39 to 49	4.25 ± 0.1
25, 26	3.5 ± 0.1

No. of circuits	Type	Model No.	Q'ty/reel	Material and Finish
50	Normal	ICM-MA2H-SS52-N13LT	750	Contact: Phosphor bronze, nickel-undercoated, Mating part: gold-plated Solder tail; tin-plated (reflow treatment) Housing: PPS, UL94V-0 Solder tab: Brass, copper-undercoated, tin-plated (reflow treatment)

**RoHS2 compliance** This product displays (LF)(SN) on a label.  
The product listed above is supplied on embossed-tape.

# CF CARD CONNECTOR MA Type

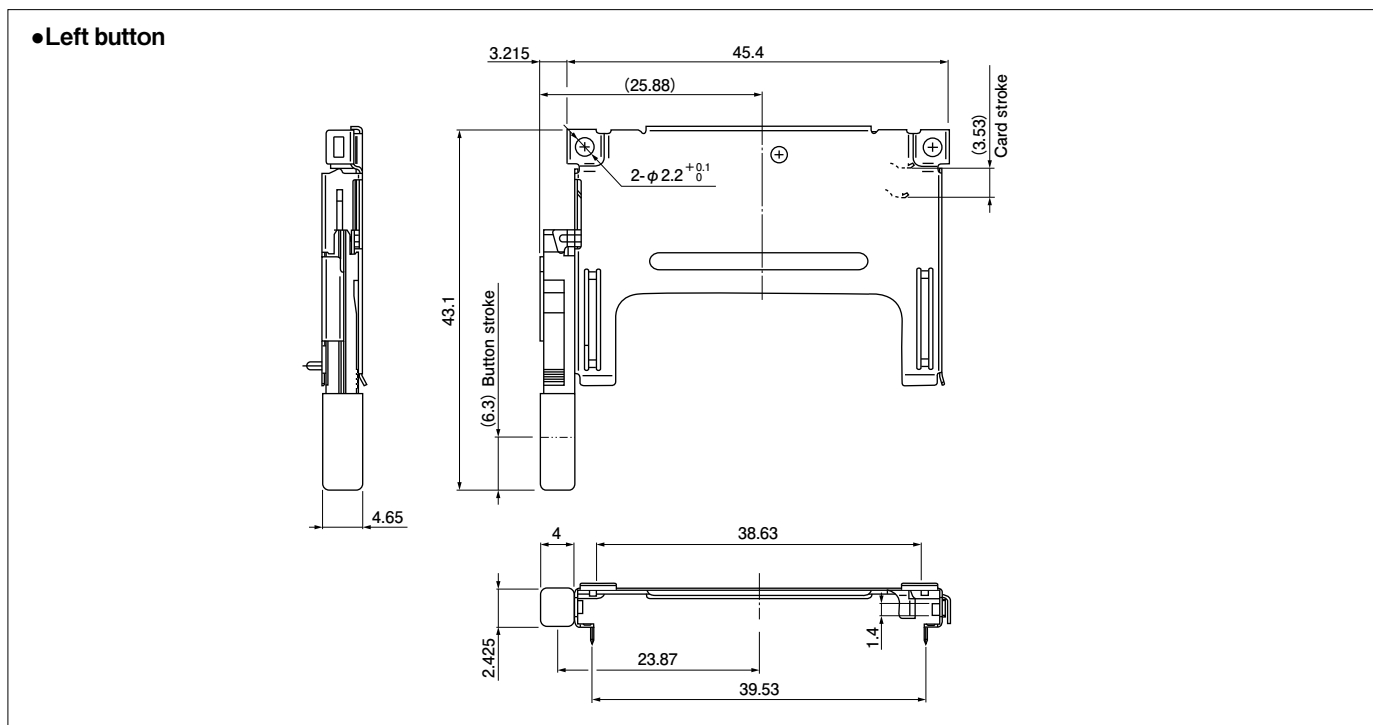
## Ejector (for Type I Header)



Type	Model No.	Q'ty/box	Material and Finish	Applicable header
Right button	ICM-MAE-R01	100	Frame/ Rotation arm : Stainless Push button: PPS, UL94V-0, black	ICM-MA50H-SS52-1141
Left button	ICM-MAE-L01	100		ICM-MA50H-SS52-1161

RoHS2 compliance Applicable headers display (LF)(SN) on a label.

## Ejector mounted header (for Type I Header) / Space-saving type



Type	Model No.	Q'ty/box	Material and Finish	Applicable header
Reverse (Left button)	ICM-MAE-L91ND	252	Frame: Stainless, nickel-undercoated, tin/copper alloy-plated Rotation arm: Stainless Push button: Synthetic resin, UL94V-0, gray	ICM-MA50H-SS52-1184

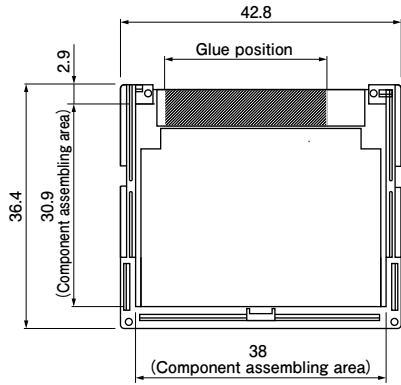
RoHS2 compliance This product displays (LF) on a label.  
An applicable header displays (LF)(SN) on a label.

# CF CARD CONNECTOR MA Type

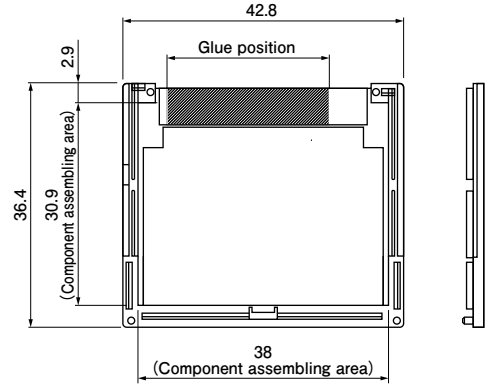
## Card frame (for Type I cards)

### •ICM-MA50F-A/B-FB-C

Frame A



Frame B



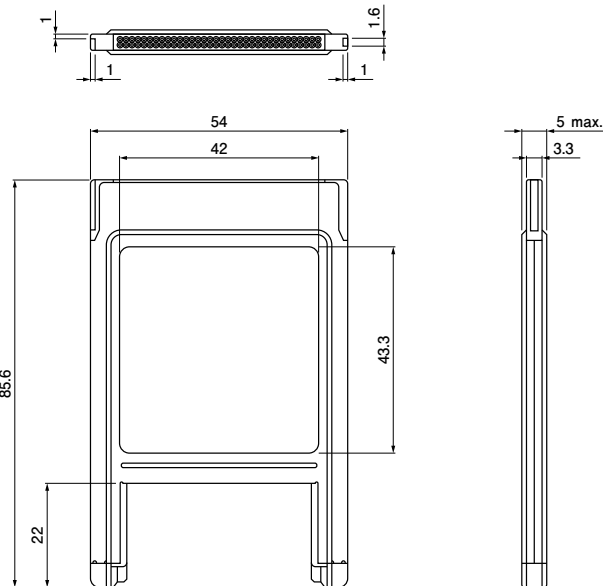
No. of circuits	Model No. as a set (Frame A + Frame B)	Applicable socket	Q'ty/box	Material and Finish
50	ICM-MA50F-A/B-FB-CA	ICM-MA50S-TS12-3023T	150	Frame: Glass-filled PBT, UL94V-0 Cover: Stainless

RoHS2 compliance

## Adapter card

### •For CF Type I cards (PC card 5 V key)

68 circuits side



50 circuits side



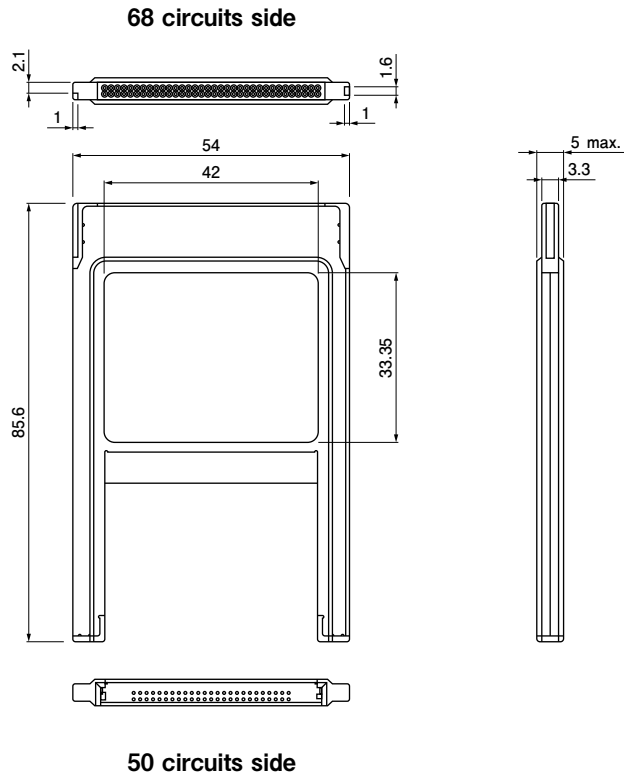
Model No.	Q'ty/box	Material and Finish		
ICM-MA50A-C441N	48	50 circuits side Header	Contact: Copper alloy, nickel-undercoated, Mating part; gold-plated Solder tail; tin-plated (reflow treatment) Housing: PPS, UL94V-0	Cover: Stainless Frame: PBT, UL94V-0 PC board: Glass-epoxy, UL94V-0
		68 circuits side Socket	Contact: Copper alloy, nickel-undercoated, Mating part; gold-plated Solder tail; tin-plated (reflow treatment) Housing: LCP, UL94V-0 Grounding spring: Copper alloy, nickel-undercoated, gold-plated	

RoHS2 compliance This product displays (LF)(SN) on a label.

# CF CARD CONNECTOR MA Type

## Adapter card

- For CF Type II cards  
(PC card 3.3 V key  
with GND clip spring)



Model No.	Q'ty/box	Material and Finish		
ICM-MA2A-C454N	48	50 circuits side Header	Contact: Copper alloy, nickel-undercoated, Mating part; gold-plated Solder tail; tin-plated (reflow treatment) Housing: PPS, UL94V-0	Cover: Stainless Frame: PBT, UL94V-0 PC board: Glass-epoxy, UL94V-0 Contact spring: Copper alloy Shutter: PPS, UL94V-0 Spring: Stainless Lock: Stainless
		68 circuits side Socket	Contact: Copper alloy, nickel-undercoated, Mating part; gold-plated Solder tail; tin-plated (reflow treatment) Housing: LCP, UL94V-0 Grounding spring: Copper alloy, nickel-undercoated, gold-plated	

RoHS2 compliance This product displays (LF)(SN) on a label.