

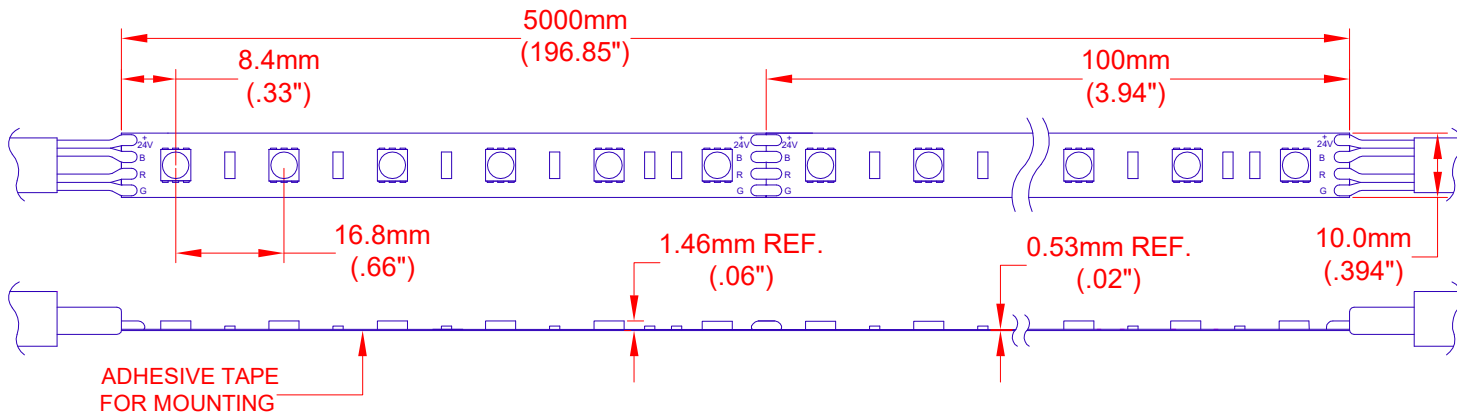
10mm X 5000mm RGB LIGHT RIBBON

FEATURES

VOLTAGE: 24V DC
 CURRENT: 3.0A
 LED VIEWING ANGLE (2 θ 1/2): 100°

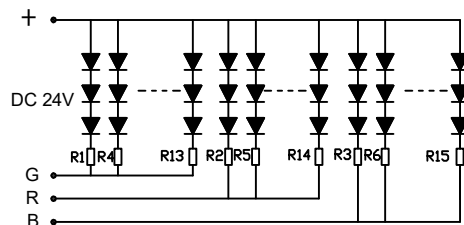
STANDARD PACKAGING:
 5 METER REEL (300 LED'S)

OPTIONAL PACKAGING:
 INDIVIDUAL 500mm SECTIONS (30 LED'S)
 ORDER AS ZFS-105000-24RGB/SEC
 Note: Individual Sections ARE NOT supplied with insulated wire connections.



Electrical/Optical Characteristics at TA = 25°C

Parameter	Symbol	Color	Condition	Min	Typ	Max	Unit
Forward Voltage DC	VF	RGB	IF = 3.0A	--	24	--	V
Dominant Wavelength	λD	R	IF = 1.0A	618	630	--	nm
		G	IF = 1.0A	515	524	--	
		B	IF = 1.0A	455	470	--	
Luminous Flux	φV	R	IF = 1.0A	--	428	--	lm
		G	IF = 1.0A	--	1508	--	
		B	IF = 1.0A	--	143	--	
Recommend Forward Current	IF(rec)	--	--	--	2.4	--	A

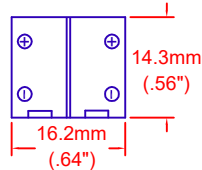


Absolute Maximum Rating at TA = 25°C

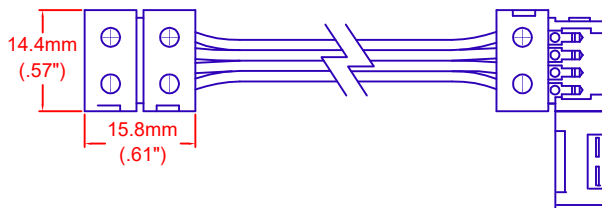
Parameter	Symbol	Absolute Maximum Rating	Unit
Forward Current	IF	3	A
Power Dissipation	PD	72	W
Electrostatic Discharge	ESD	400	V
Operating Temperature	Topr	-20~+50	°C
Storage Temperature	Tstg	-30~+80	°C

Mating Components

ZFS-CH0-RGB10J Flex to Flex
 No Solder Connector



ZCH-170-RGB-J Flex Ribbon Joiner Harness



ATTENTION
 OBSERVE PRECAUTION
 FOR HANDLING ELECTROSTATIC
 DISCHARGE SENSITIVE DEVICES

JKL PART NO.: ZFS-105000-24RGB

<p>THIRD ANGLE PROJECTION</p>	<p>METRIC</p> <p>DIMENSIONS ARE IN mm (INCHES)</p> <p>TOLERANCE UNLESS OTHERWISE SPECIFIED</p> <p>1 PL +/- REF. ANGLE +/-</p>	<p>JKL COMPONENTS CORPORATION</p>					
	<p>DRAWN BY L. WENGSTROM</p> <p>APP'D BY L.R.</p> <p>DATE 6/5/18</p>	<p>SCALE NONE</p>	<p>FSCM NO. 55335</p>	<p>DRAWING NO. ZFS-105000-24RGB</p>	<p>RELEASED DATE 3/15/16</p>	<p>REVISION DATE 6/5/18</p>	<p>REV. NO. B</p>
<p>TITLE: 24 V RGB LED FLEX STRIP</p>							
<p>REV. NO. CHANGE +24V GRB TO +24V BRG [4 PLCS]</p>	<p>DATE 6/5/18</p>	<p>REV. NO. CHANGE MATING COMPONENT</p>	<p>DATE 3/29/16</p>	<p>REV. NO. RELEASED</p>	<p>DATE 3/15/16</p>	<p>- CAD DRAWING -</p> <p>MANUAL REVISIONS NOT PERMITTED</p>	