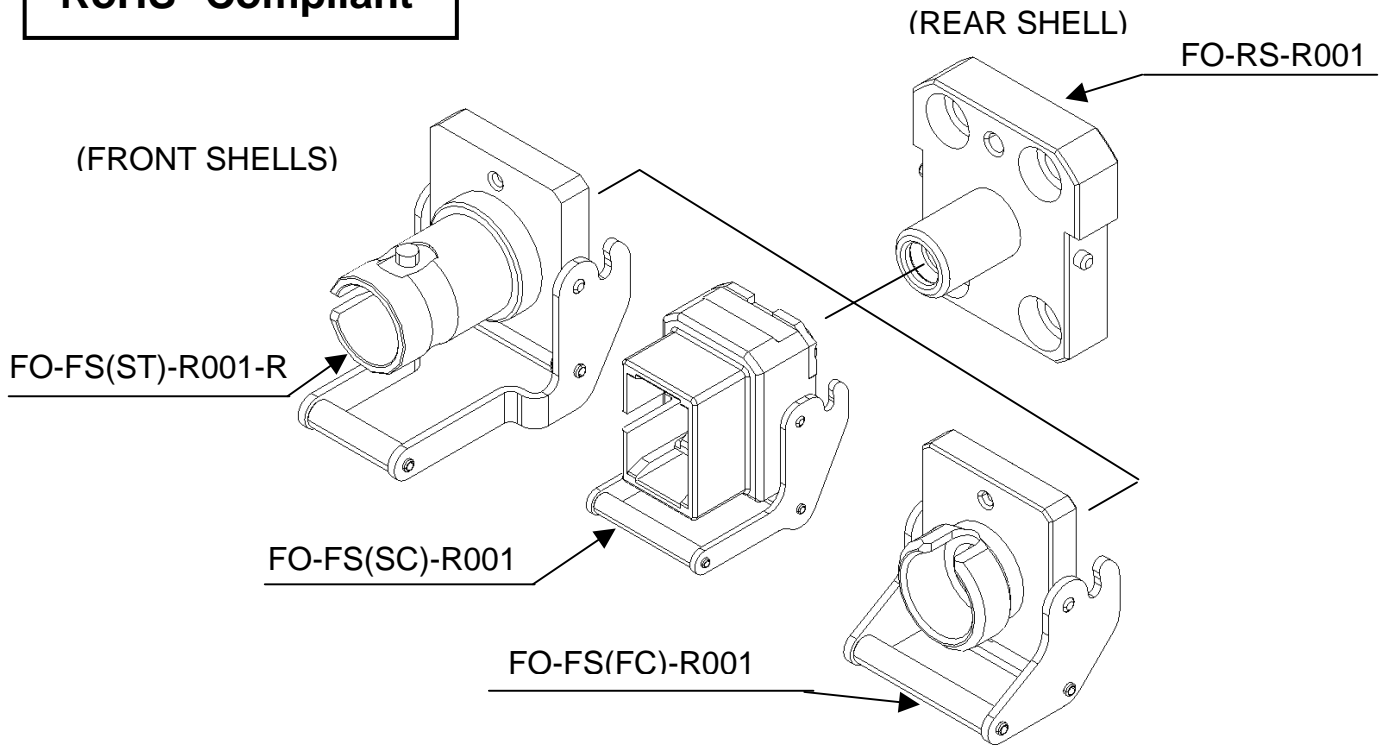




Changeable Receptacle

CONNECTOR
MB-0092-2
July 2006

RoHS Compliant



This product has been developed for use with all types of optical connectors by separating the ferrule retention part (rear shell) and plug mating part (front shell) in the connection of optical elements such as PDs and LEDs and optical connectors.

FC, SC and ST front shells can be easily inserted in or removed from the rear shell with a one-touch lever lock.

Stable optical connection is attainable, regardless of the front shell used, through positioning of the ferrule on the optical connector to be mated using a precision sleeve made of zirconia ceramic.

General Specifications

- Ferrule retention opening accuracy: 2.5005 ± 0.0005 (mm) dia.
- Mating/removal life: 1,000 times

- *Supports FC, SC and ST types. For other types, please contact us directly.
- *For information on products compatible with angle PCs, please contact us directly.
- *Various configurations of the element mounting parts for the rear shell are available. Please contact us for further information.

Ordering Information

1. Front Shell

FO-FS (XX) - R001 - R

Series

Modification code:
This indication is used for ST Type only

FC: Compatible to FC Type
SC: Compatible to SC Type
ST: Compatible to ST Type

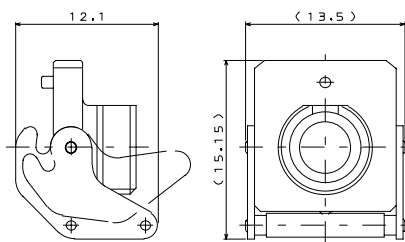
2. Rear Shell

FO-RS - R001

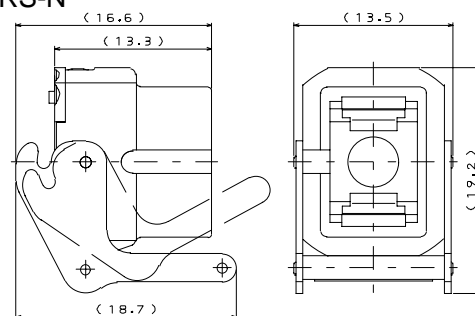
Series

Dimensions

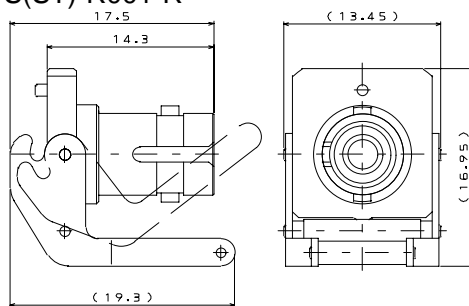
FO-FS(SC)-R001



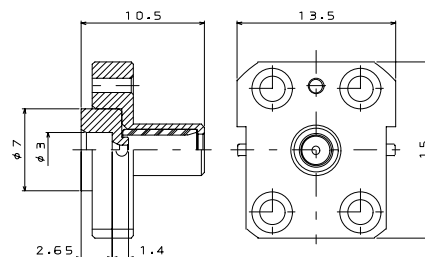
FOSC-RS-N



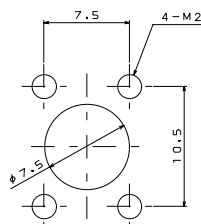
FO-FS(ST)-R001-R



FO-RS-R00



Drawing of attachment hole (for reference)



Notice: Products shown in this leaflet are made for the applications listed below. However, if the above-mentioned products are to be used in aerospace devices, marine cable-connection devices, atomic power control systems, medical equipment for life-support systems, or any other specific application requiring extremely high reliability, please contact JAE for further information.
Recommended applications: Computers, Office machines, Measuring devices, Telecommunication devices (Terminals, Mobile devices), AV devices, Household applications, FA devices, etc.

Japan Aviation Electronics Industry, Limited

Product Marketing Division

Aobadai Building, 3-1-19, Aobadai, Meguro-ku, Tokyo 153-8539
Phone: +81-3-3780-2787 FAX: +81-3-3780-2946

* The specifications in this brochure are subject to change without notice. Please contact JAE for information.