

NEW

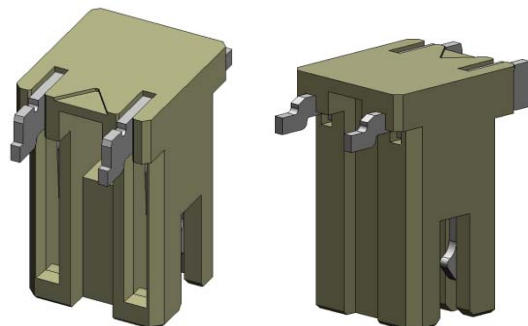
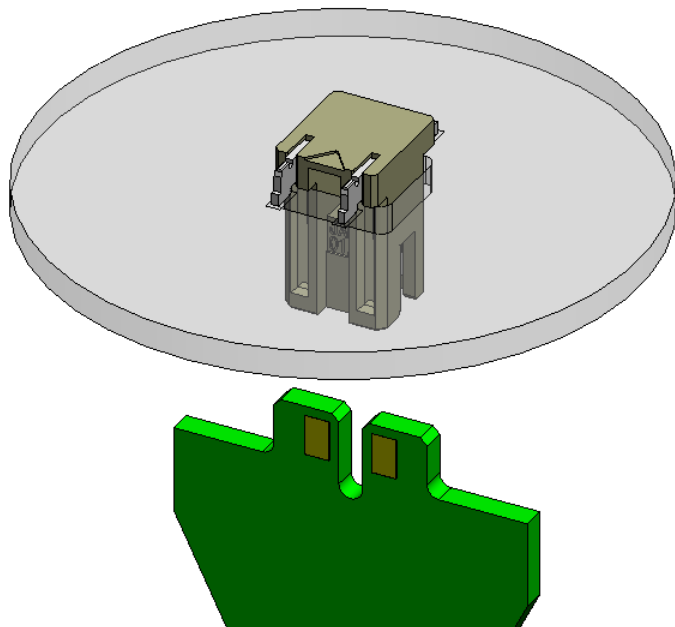


ES6 Series

(cULus Recognized Product)

CONNECTOR
MB-0302-1
September 2015

RoHS Compliant




Part Number: ES6B002WF1

The ES6 Series enables card edge connection of LED mounting board and power board. It helps to reduce assembly time with the card edge connection. The ES6 Series is also small and low-profile and can be mounted in compact light bulbs.

Applications: LED light bulbs, down lights, spot lights, LED lighting, and compact electrical devices.

Features

- Contributes to easy and automatic assembly with card edge connection of the LED mounting board and power board.
- Adopts a tuning fork structure terminal, which has high contact reliability in long term high temperature environments.
- Compatible with automatic mounting. Features a large area for absorption and is compatible with standard nozzles.
- Saves mounting space on boards and is ideal for compact bulbs and fixtures.
- cULus recognized product: File No. E67741 
- 1.55 mm height, low-profile structure that does not block light from the LED.

General Specifications

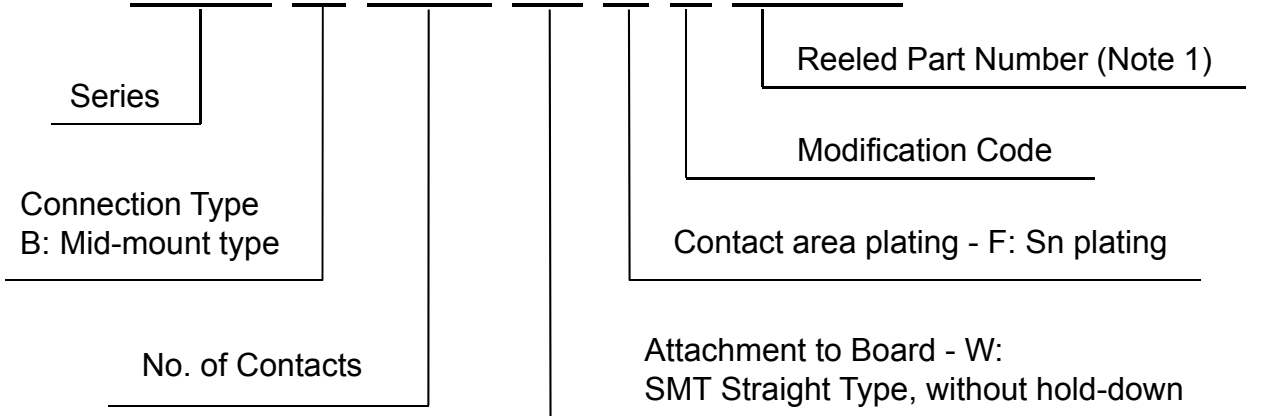
- | | |
|---|--|
| ■No. of Contacts: 2 pos. | ■Rated Current: AC / DC 1A |
| ■Contact Resistance: 30mΩ max. | ■Rated Voltage: AC / DC 250V |
| ■Dielectric Withstanding Voltage:
AC500V _{r.m.s} / for 1 minute | ■Mating Cycles: 20 times |
| ■Insulation Resistance: 10mΩ max. | ■Board Insertion Force: 30N max. |
| | ■Operating Temperature:
-40 Deg. C to +105 Deg. C |

Materials and Finishes

Component	Material and Finish
Insulator	LCP
Contact	Copper alloy / Sn plating

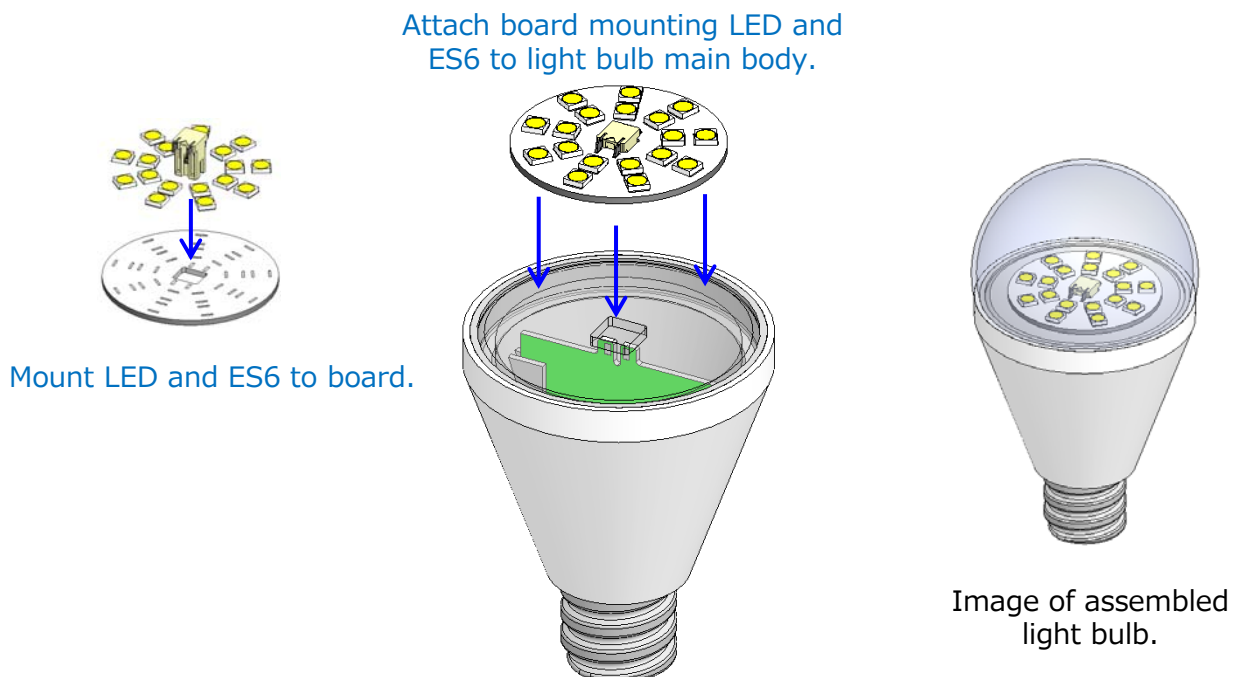
Ordering Information

ES6 B 002 W F 1 R****



Note 1) An embossed tape reel contains 1,000 pieces.

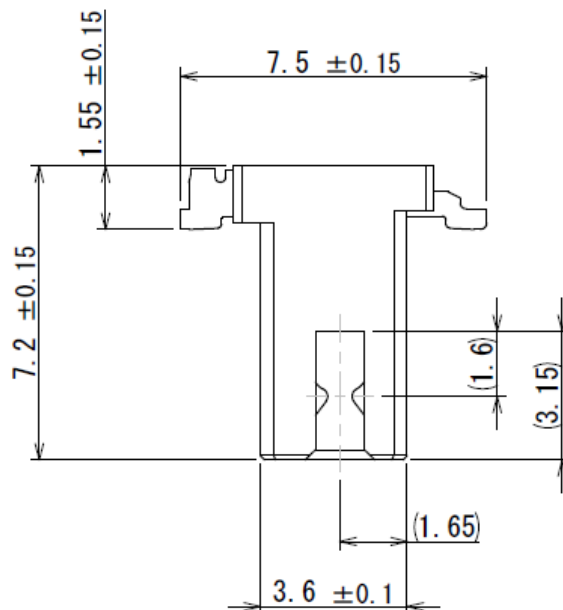
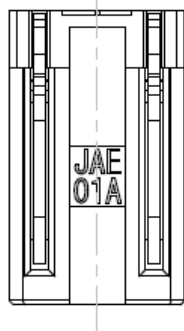
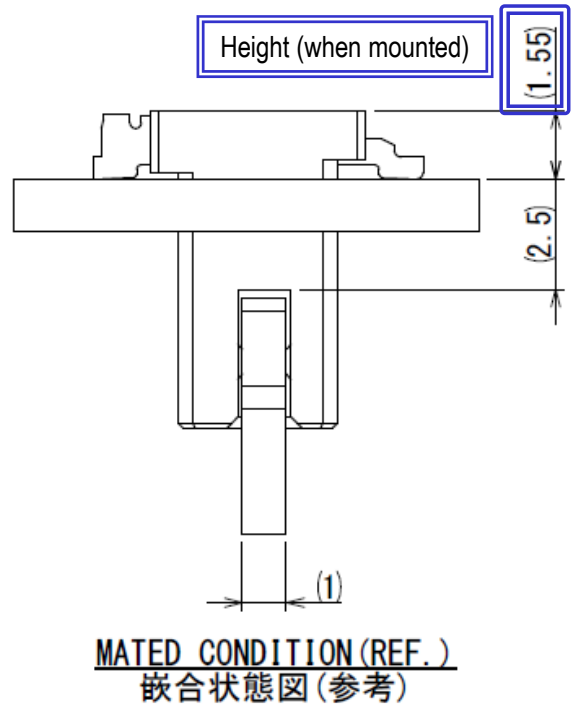
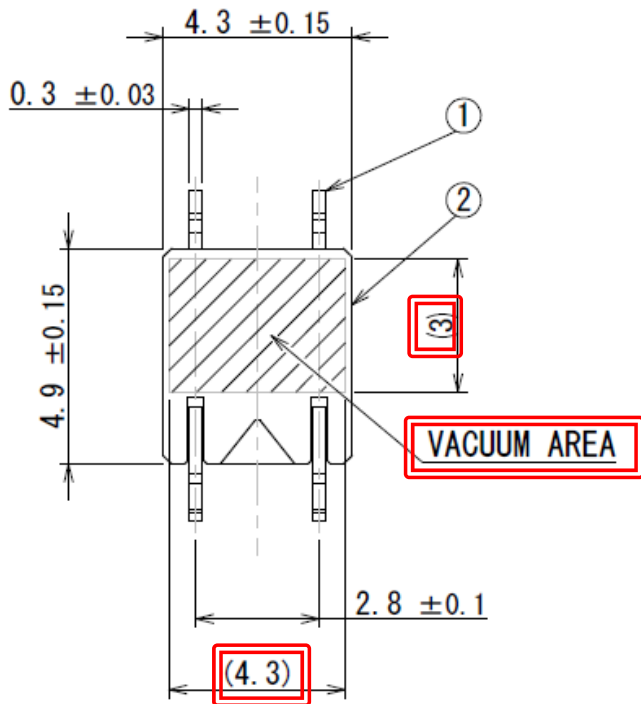
Example of light bulb assembly (for reference)



Product Drawing

Part Number	ES6B002WF1
Drawing No.	SJ115499

cULus Recognized Component



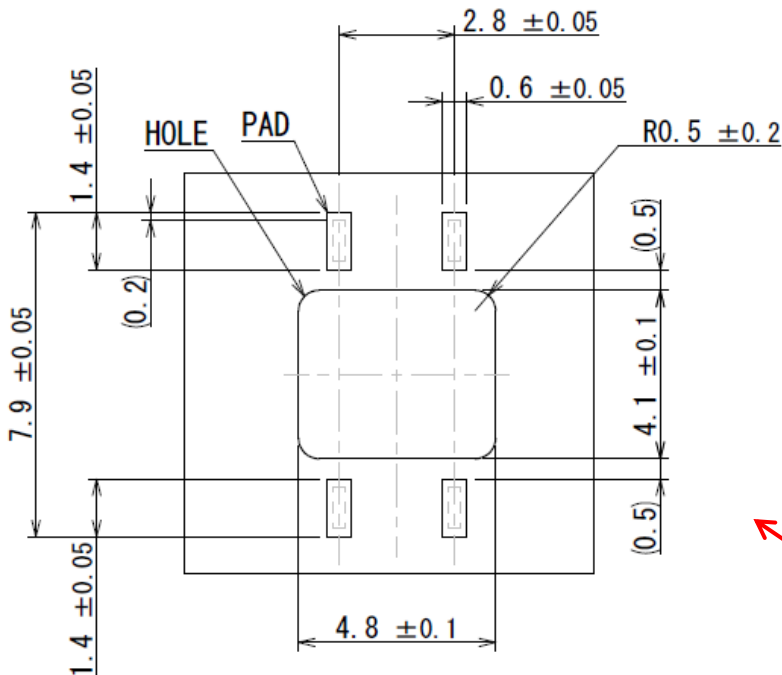
2	INSULATOR
1	CONTACT
符号 NO.	名称 DESCRIPTION

Unit: mm

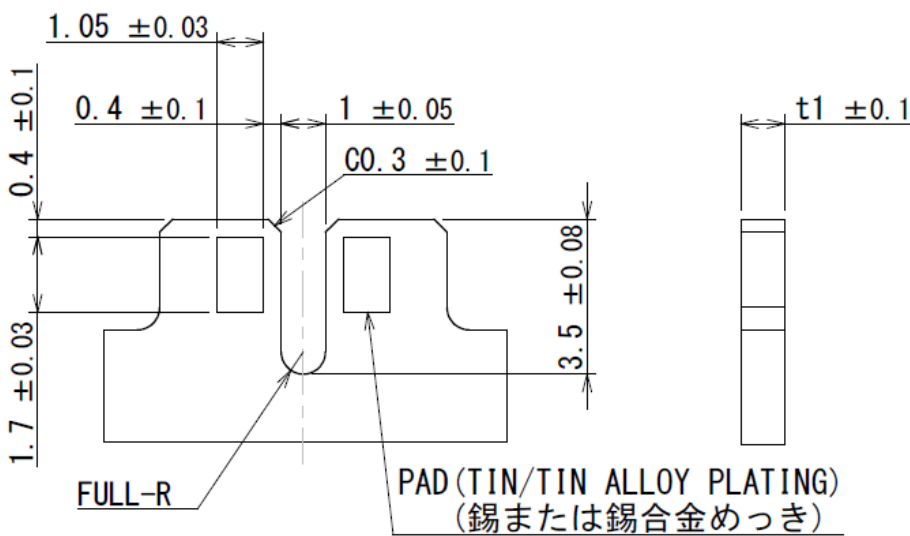
Product Drawing

Part Number	ES6B002WF1
Drawing No.	SJ115499

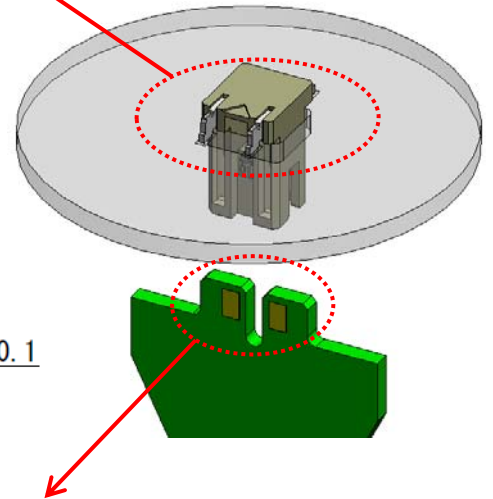
cULus Recognized Component



APPLICABLE P. C. B DIMENSION (FOR MOUNTING) (REF.)
適合基板寸法 (実装側) (参考)



APPLICABLE P. C. B DIMENSION (FOR MATING) (REF.)
適合基板寸法 (嵌合側) (参考)

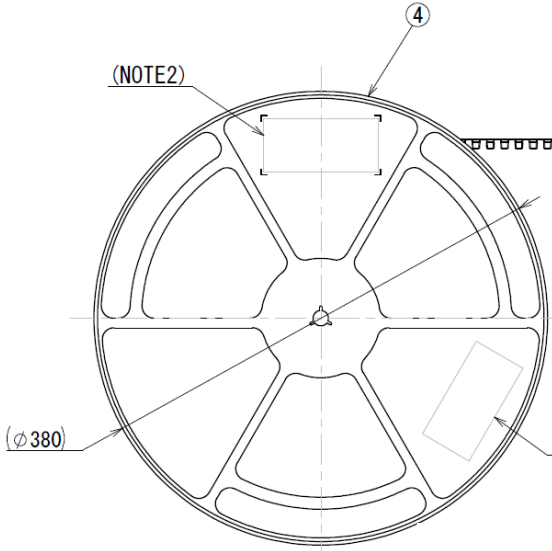


Unit: mm

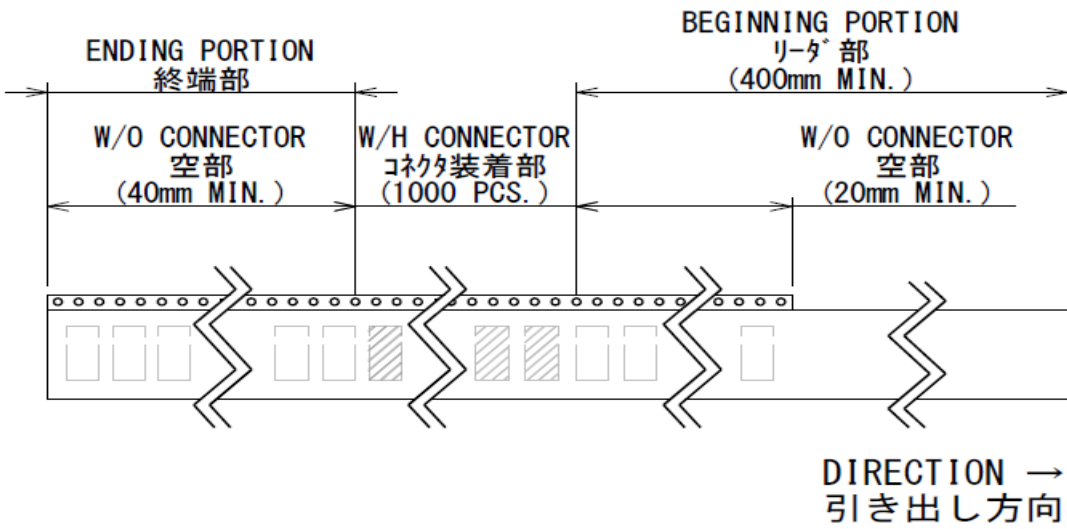
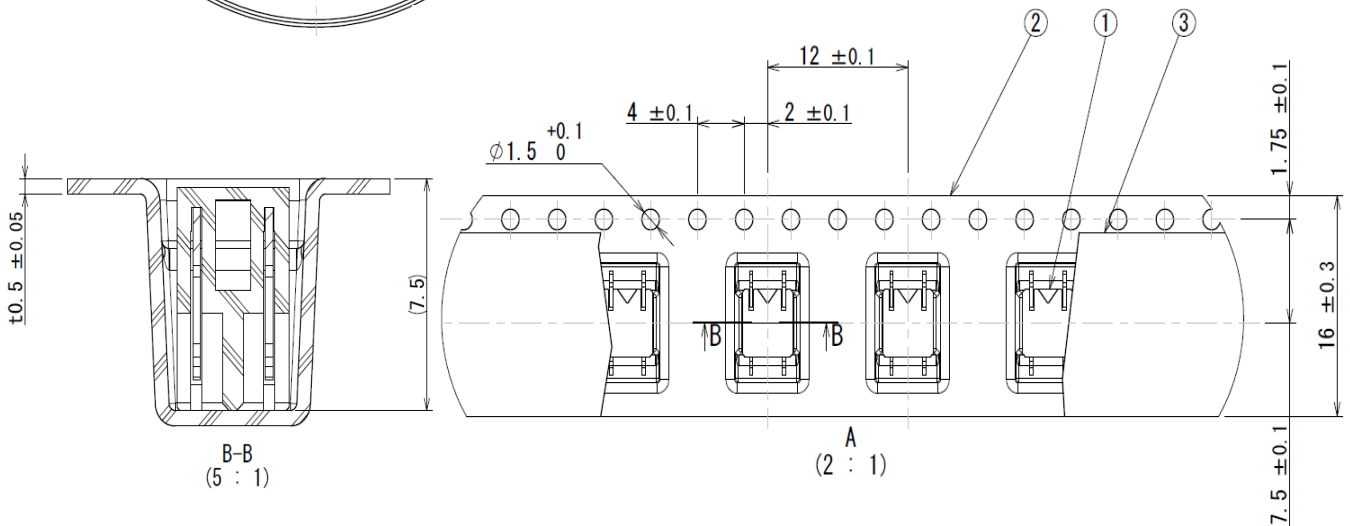
Product Drawing

Part Number	ES6B002WF1R1000
Drawing No.	SJ115500

cULus Recognized Component



- Note1: ES6B002WF1R1000 is the part number for a reel that contains 1,000 pieces.
- Note2: Apply label as shown in drawing which has part number, quantity, LOT No., tape width, and feed pitch.
- Note3: Please refer to SJ115499 (ES6B002WF1) for connector dimensions.
- Note4: Label of necessary information for cULus recognized products can be applied to the area indicated in drawing.



4	REEL	1	POLYSTYRENE		
3	COVER TAPE	1	POLYESTER		
2	CARRIER TAPE	1	POLYSTYRENE		
1	CONNECTOR	1000			(NOTE3)

Unit: mm

Technical Documents

	Technical Document No.
Product Drawings	SJ115499 (ES6 Individual product) SJ115500 (ES6 Embossed reel product)
Specifications	JACS-11068
Handling Instructions	J AHL-11068

Notice:

1. The values specified in this brochure are only for reference. The products and their specifications are subject to change without notice. Contact our sales staff for further information before considering or ordering any of our products. For purchase, a product specification must be agreed upon.

2. Users are requested to provide protection circuits and redundancy circuits to ensure safety of the equipment, and sufficiently review the suitability of JAE's products to the equipment.

3. The products presented in this brochure are designed for the uses recommended below. We strongly suggest you contact our sales staff when considering use of any of the products in any other way than the recommended applications or for a specific use that requires an extremely high reliability.

(1) Applications that require consultation:

(i) Please contact us if you are considering use involving a quality assurance program that you specify or that is peculiar to the industry, such as:

Automotive electrical components, train control, telecommunications devices (mainline), traffic light control, electric power, combustion control, fire prevention or security systems, disaster prevention equipment, etc.

(ii) We may separately give you our support with a quality assurance program that you specify, when you think of a use such as :

Aviation or space equipment, submarine repeaters, nuclear power control systems, medical equipment for life support, etc.

(2) Recommended applications include:

Computers, office appliances, telecommunications devices (terminals, mobile units), measuring equipment, audiovisual equipment, home electric appliances, factory automation equipment, etc

Japan Aviation Electronics Industry, Limited

Product Marketing Division

Aobadai Building, 3-1-19, Aobadai, Meguro-ku, Tokyo 153-8539

Phone: +81-3-3780-2882 FAX: +81-3-3780-2946

* The specifications in this brochure are subject to change without notice. Please contact JAE for information.