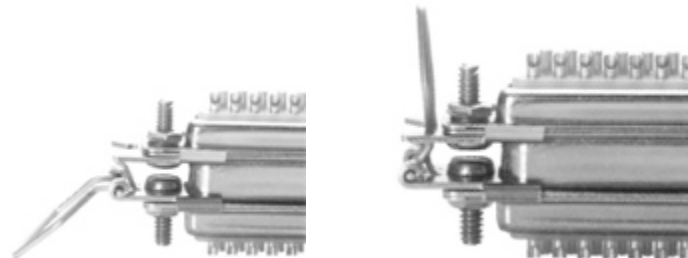
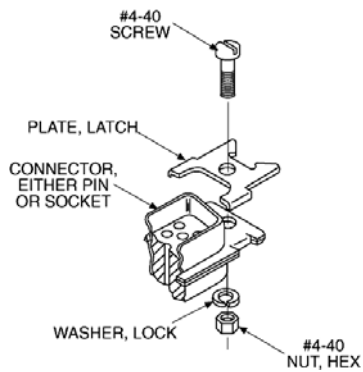
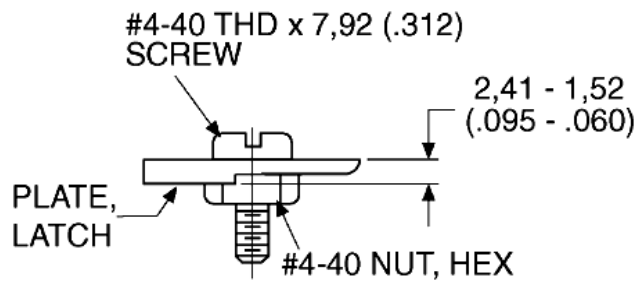
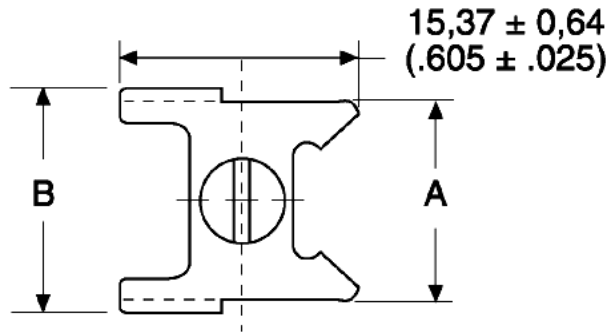




Part Number: D110280



Product Group	D Subminiature Accessories
Where Sold	Europe, Americas, Asia Pacific
D Sub Accessory type	Locking Hardware
Application Type	Commercial
Shell Size	DD
Material	Stainless Steel
D Sub Accessory Style	Spring Latch Plate
Finish/Treatment	Passivated
Dimension A	15,47 (.609) ±0,38 (.015)
Dimension B	17,09 (.673) ±0,38 (.015)
Note	Kit consists of 1 plate, 1 screw, 1 lock washer, 1 hex nut. Order 2 kits per connector.
Footnote	Dimension are shown in mm (inch). Dimensions subject to change.
For more information	Please Contact Cannon Sales Department.