

Description

- Resistance welded, hermetically sealed metal package sealed in an inert atmosphere with glass to metal seals securing the lead wires. The lead wires are formed into a gull wing and mounted on a plastic former and is suitable for automotive applications. Qualified to AEC-Q200 and with TS16949 release.
- Model HC49/4HSMX AUTO
- Model Issue number 2

Frequency Parameters

- Frequency 24.0MHz
- Frequency Tolerance $\pm 50.00\text{ppm}$
- Frequency Stability $\pm 100.00\text{ppm}$
- Operating Temperature Range -40.00 to 85.00°C
- Overtone Order Fundamental
- Ageing $\pm 5\text{ppm}$ max per year @ 25°C

Electrical Parameters

- Load Capacitance (CL) 18.00pF
- Shunt Capacitance (C0) 7pF max
- Drive Level 50 μW standard
- ESR 60.00 Ω max

Environmental Parameters

- Storage Temperature Range: -40 to 150°C
- Qualified to AEC-Q200

Compliance

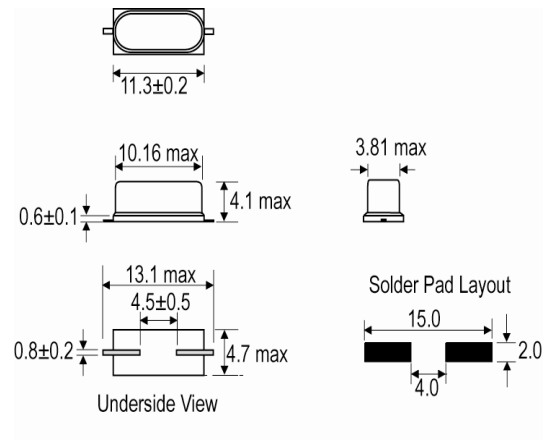
- RoHS Status (2011/65/EU) Compliant
- REACH Status Compliant
- MSL Rating (JDEC-STD-033): Not Applicable

Packaging Details

- Pack Style: Reel Tape & reel in accordance with EIA-481-D
Pack Size: 2,000
- Alternative packing option available



Outline (mm)



Sales Office Contact Details:

UK: +44 (0)1460 270200
Germany: 0800 1808 443

France: 0800 901 383
USA: +1.760.318.2824

Email: info@iqdfrequencyproducts.com
Web: www.iqdfrequencyproducts.com