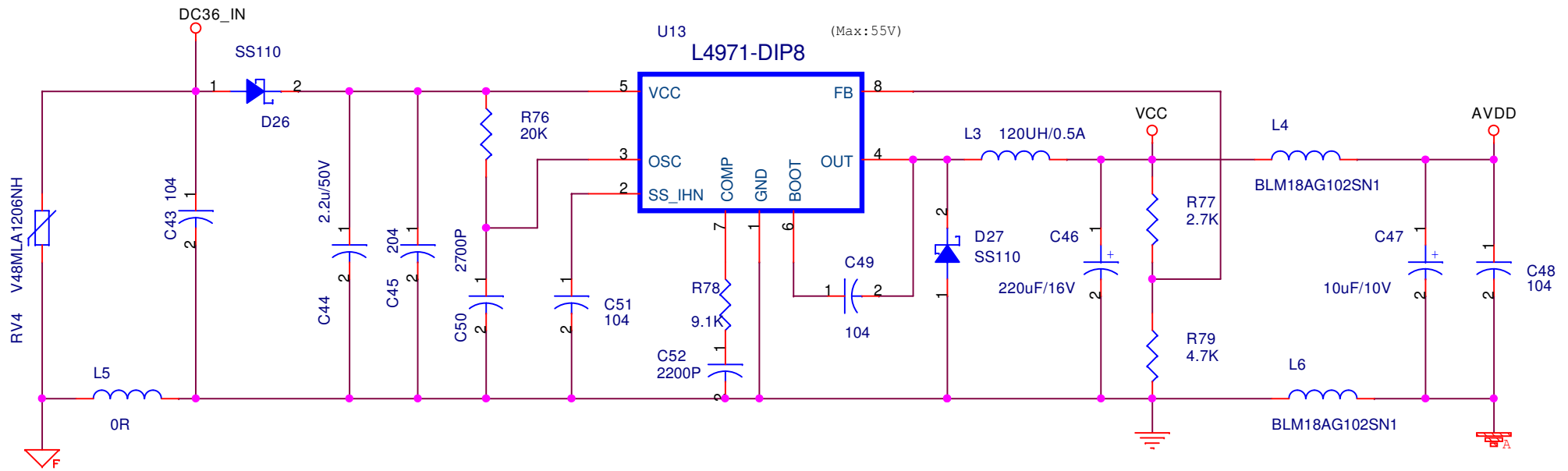



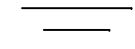
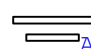
瓏得有限公司
www.robosoul.com.tw


M453 ARM MCU

Size B	DWG NO <Doc>	Rev 1.1
Saturday, July 18, 2015		Sheet 2 of 5



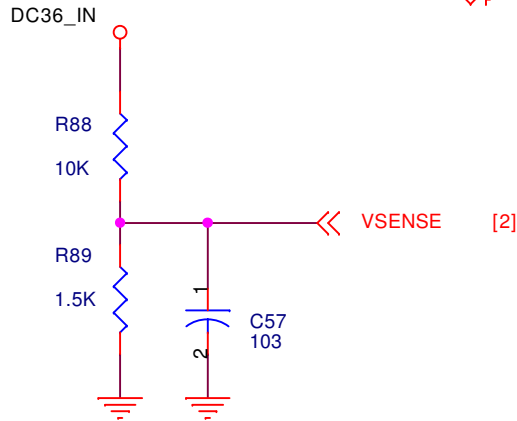
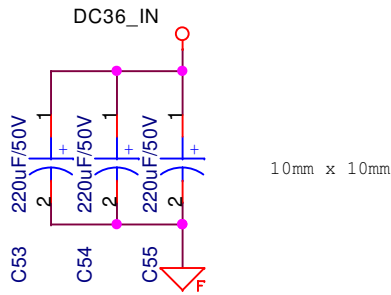
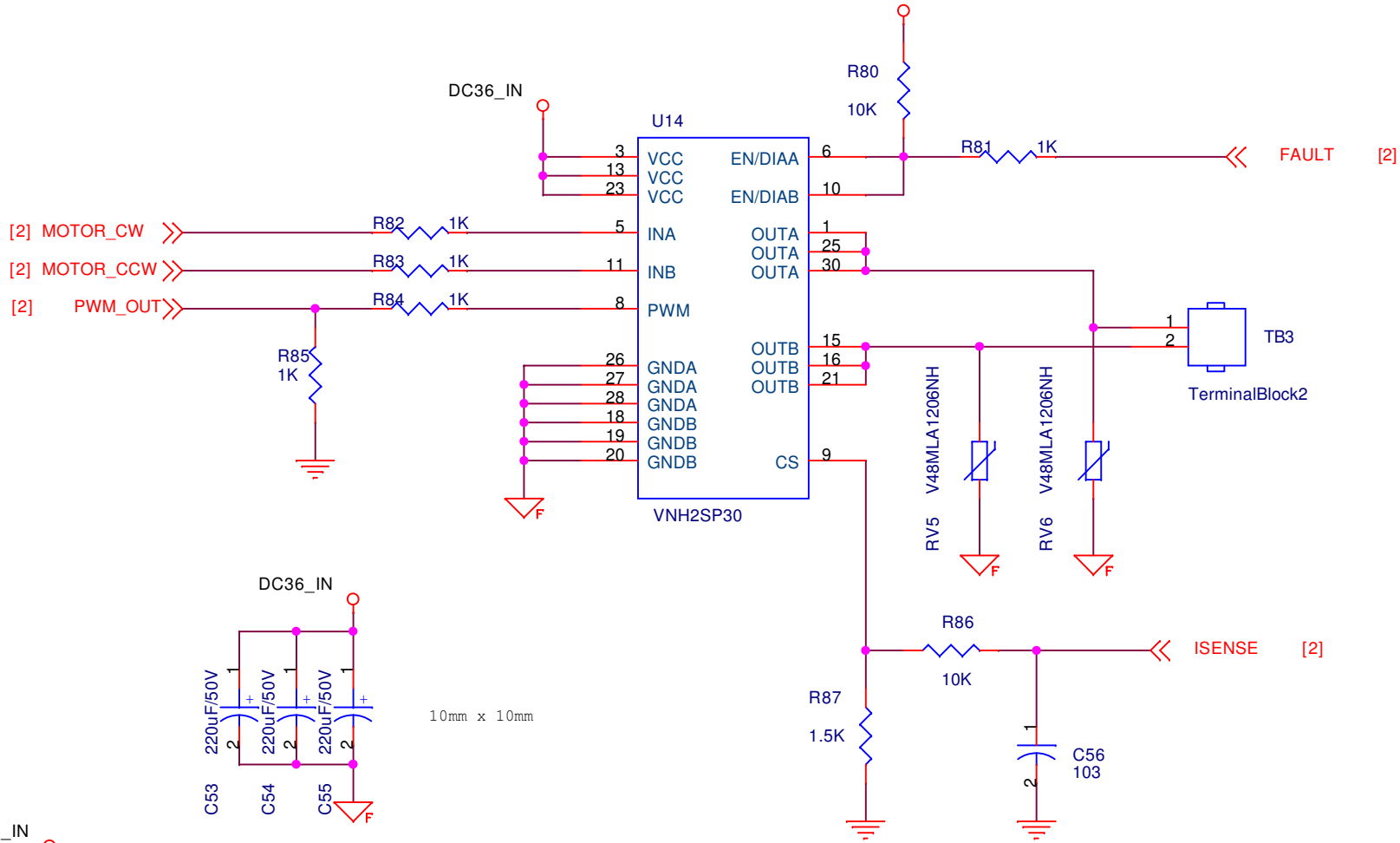
Note:

		
Power GND (shell)	Digital GND	Analog GND

 Robosoul	瓏得有限公司 www.robosoul.com.tw	
	<h3>DC Switching power</h3>	
	Size A	DWG NO <Doc>
Friday, June 12, 2015		Sheet 3 of 5

Max Operation Votage: 16V

VCC



Robosoul

瓏得有限公司
www.robosoul.com.tw

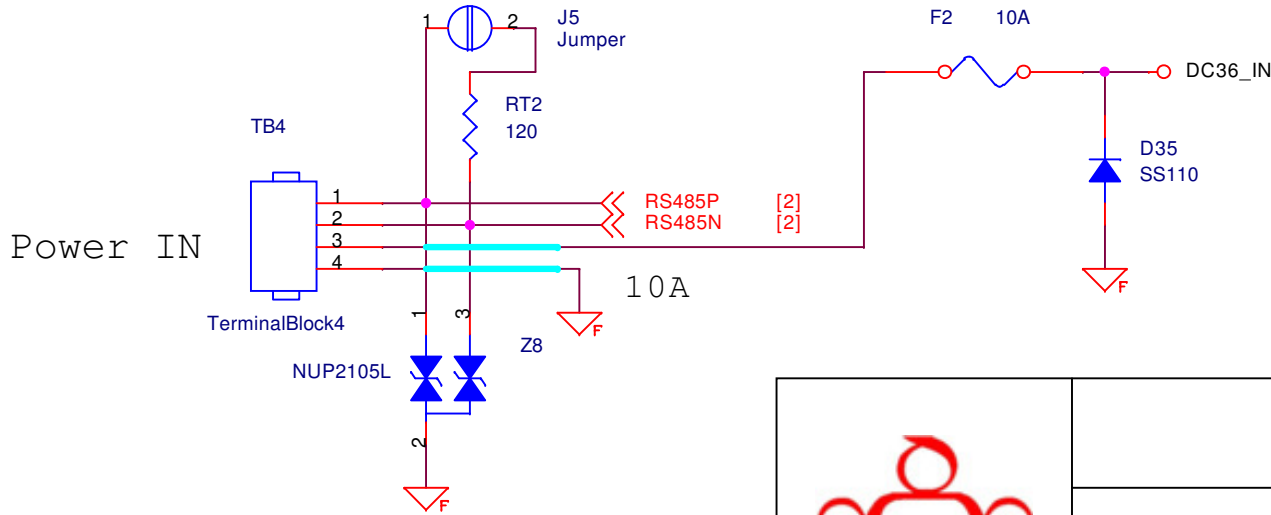
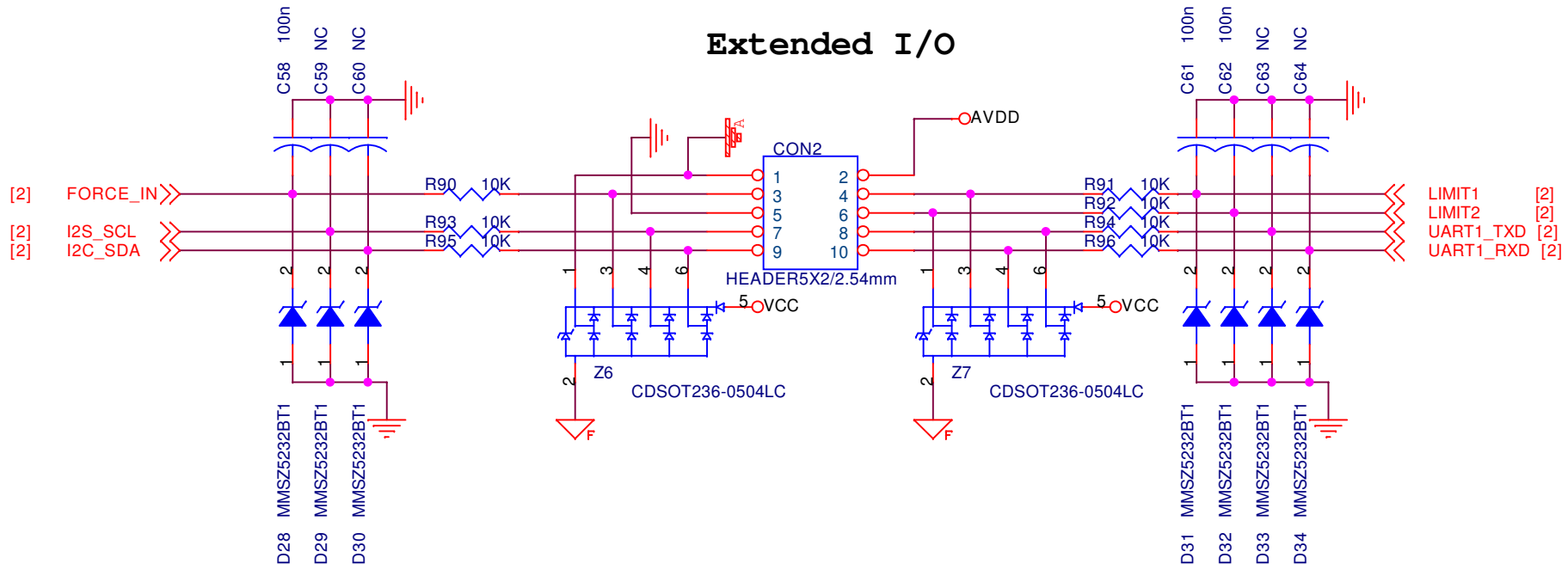
H-bridge Motor Driver

Size
A

DWG NO
<Doc>

Rev
1.0

Extended I/O



Robosoul

瓏得有限公司
www.robosoul.com.tw

Connectors / IO

Size
A

DWG NO
<Doc>

Rev
1.0