

PMB/RMB

Metallized Polypropylene Film Capacitors

IGBT Direct Mount with Double-sided Electrodes



FEATURES

Power Semiconductor Module Protection - High Pulse and rms Current - Multiple Lug Styles

APPLICATIONS

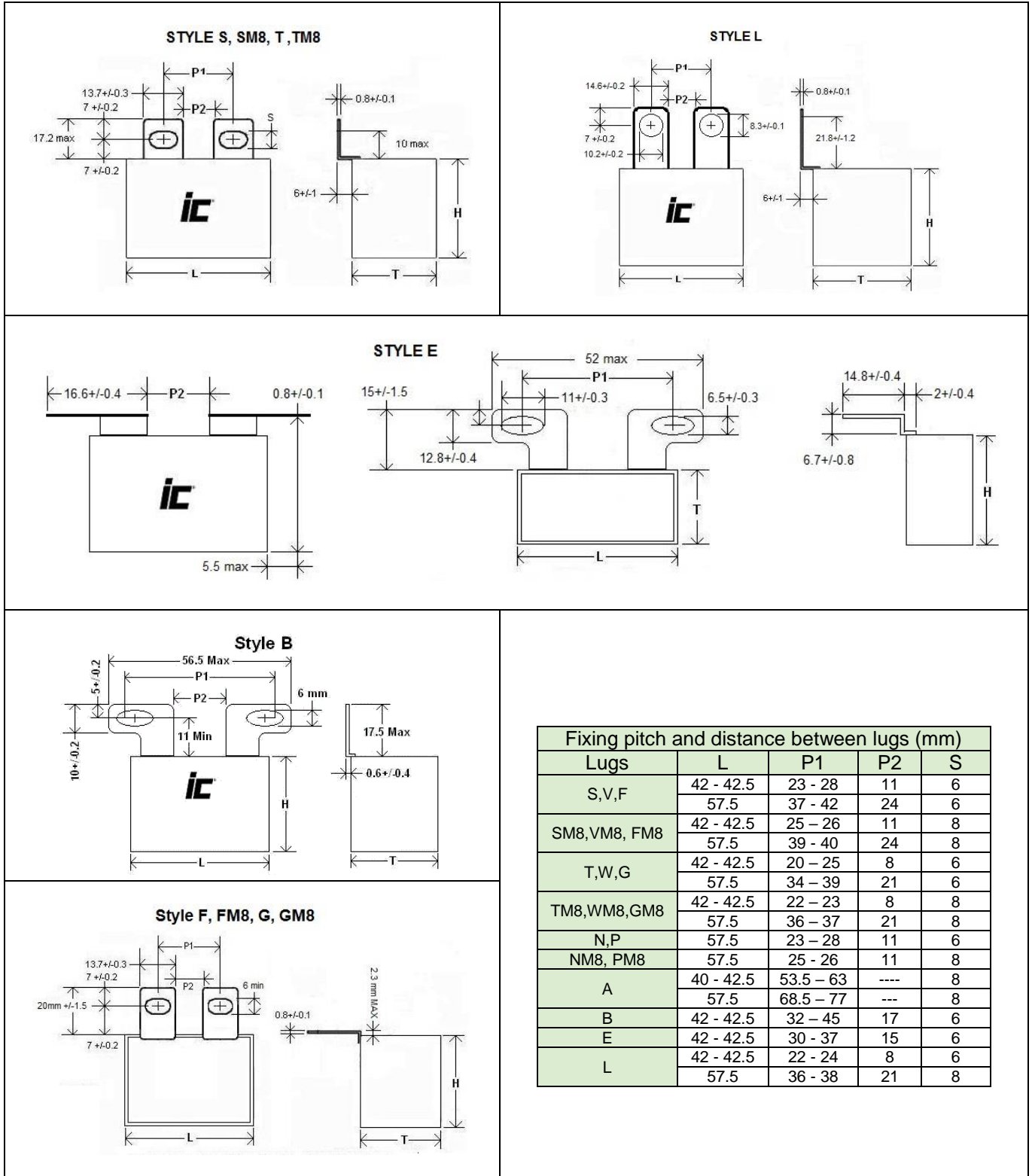
Inverters - converters - UPS - Switching power supplies

Operating Temperature Range	PMB: -40°C to +100°C, observing voltage and current de-rating						RMB: -40°C to +85°C		
Capacitance Tolerance	±10% at 1 kHz, 25°C +5% optional								
Non-Recurrent SVDC	WVDC	700	850	1000	1200	1500	2000	2500	3000
	VAC (RMB)	1100	1300 (1200)	1550 (1300)	1750 (1600)	2200	2600 (2400)	3300	4000 (3500)
AC voltage (50/60 Hz)	WVDC	700	850	1000	1200	1500	2000	2500	3000
	VAC	420	500	575	630	650	700	725	750
For T>+85°C, The voltage (DC/AC) must be decreased by (1.5/2.5)% per °C									
Dissipation Factor (MAX) 25°C	Frequency (kHz)	C≤1uF	0.1<C≤1uF	1<C≤5.6uF	5.6<C≤9uF	C>9uF			
	1	0.06%	0.5%	0.06%	0.07%	0.09%			
Insulation Resistance @25°C (<70% RH) for 1 minute at 100VDC applied	Insulation Resistance								
	30000 MΩxuF (not to exceed 30GΩ)								
Self Inductance	<1 nano-Henry per mm of lead spacing								
Capacitance Drift Factor	<0.5% after 2 years at 40°C								
Life Expectancy	100000 Hours @WVDC 30000 Hours @ VAC								
	Capacitance Change	≤3% of initially measured value							
Failure quota	300/ Billion component hours								
Damp Heat test	56 days at 40°C with 90 to 95%RH, +40°C and no voltage applied								
	Capacitance Change	≤2% of initially measured value							
	Dissipation Factor	≤0.001 at 1kHz and 25°C							
	Insulation Resistance	≥50% of maximum specified value							
Self Inductance	<1 nano-Henry per mm of lead spacing								
Capacitance Drift Factor	<0.5% after 2 years at 40°C								
Capacitance Temperature Coefficient	-200 ppm/°C, ±100ppm/°C								
Dielectric Strength	Terminal to Terminal					Terminal to case			
	160% of rated VDC for 60 seconds/200% VDC applied for 2 Seconds and 25°C					3kVAC @ 50/60 Hz applied between terminals and case for 60 seconds at 25°C			
Dielectric	Polypropylene								
Construction	Double Metallized film with internal series connections								
Coating	Flame Retardant plastic box with epoxy resin (UL94V-0)								
Leads	Lead free tinned copper leads								

PMB/RMB

Metallized Polypropylene Film Capacitors

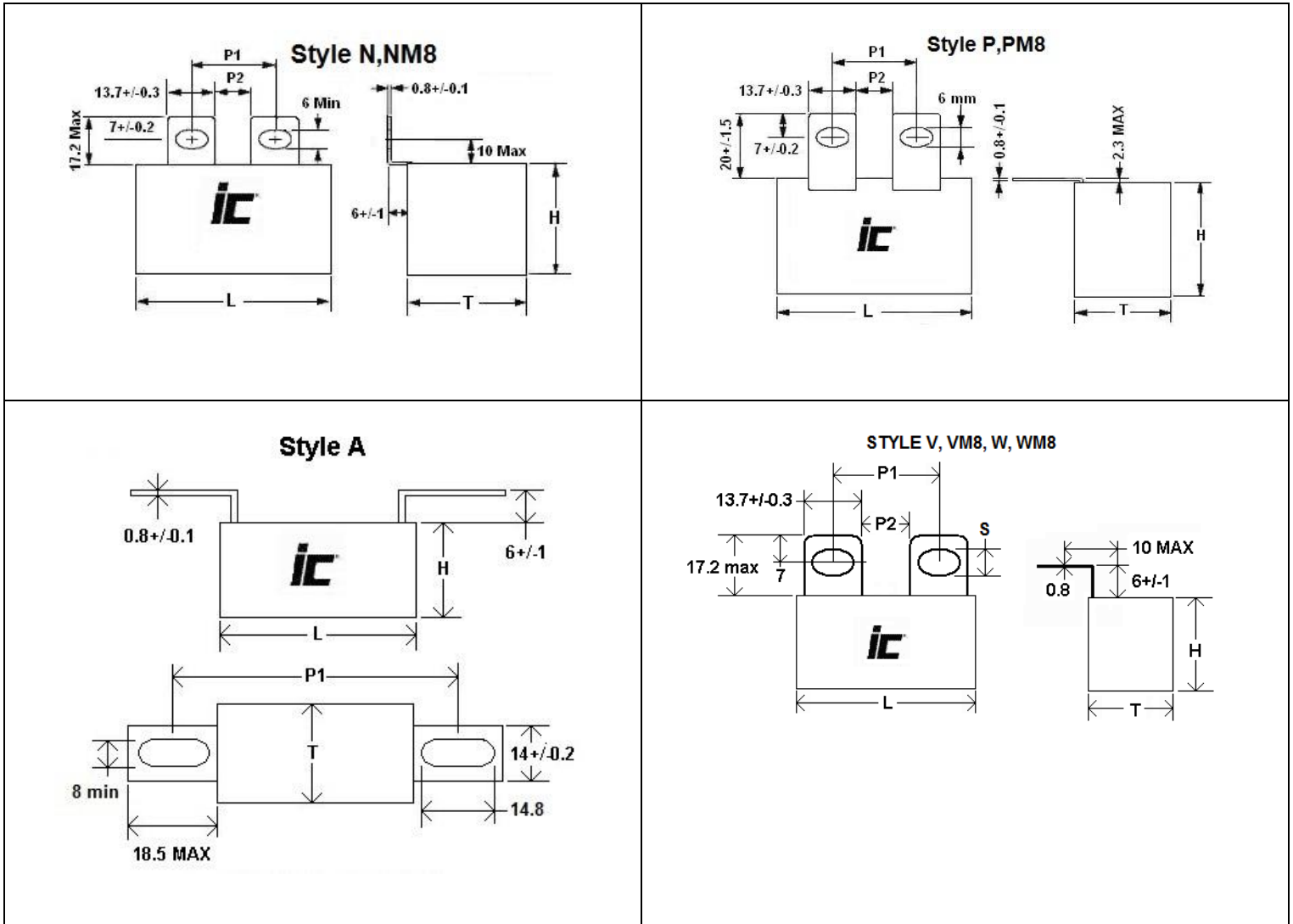
IGBT Direct Mount with Double-sided Electrodes



PMB/RMB

Metallized Polypropylene Film Capacitors

IGBT Direct Mount with Double-sided Electrodes



PMB_RMB

Metallized Polypropylene,
Power Semiconductor Direct
Mount Snubber Lug terminals

WVDC	Capacitance (μF)	IC PART NUMBER	dv/dt (v/μ sec.)	Maximum RMS Ripple Current (A) 100 kHz, +70°C	Typical ESR (mΩ) 100 kHz, +25°C	Dims LxHxT (mm)
700	1	105PMB700K#	600	16.5	3.3	42.5x28x17
700	1.2	125PMB700K#P2	600	18	3.1	42.5x27.5x24.5
700	1.2	125PMB700KA#	600	18	3.1	42x32x17
700	1.5	155PMB700K#	600	20	2.8	42.5x33.5x22
700	1.5	155RMB700K#	455	13.5	4.7	42.5x28x17
700	2	205PMB700K#P1	600	23.5	2.5	42.5x35.5x33.5
700	2.2	225PMB700K#	600	24.5	2.4	42.5x35.5x33.5
700	2.2	225PMB700K#	600	24.5	2.4	42.5x35.5x33.5
700	2.2	225PMB700KA#	600	24.5	2.4	42.5x37x28
700	2.2	225RMB700K#	455	16.5	3.7	42.5x30x17
700	2.5	255PMB700K#P1	600	25.5	2.2	42.5x35.5x33.5
700	2.5	255RMB700K#	455	18	3.5	42.5x33.5x22
700	3	305PMB700K#P0	600	28.5	2.1	42.5x45x33
700	3	305PMB700KA#	600	28.5	2.1	42.5x45x33
700	3.3	335PMB700K#	600	28	2.1	42.5x45x33
700	3.3	335PMB700K#	600	29.5	2.1	42.5x45x33
700	3.3	335PMB700KA#	600	29.5	2.1	42.5x45x30
700	3.3	335RMB700K#	455	21	3.1	42.5x35.5x33.5
700	3.5	355PMB700K#P0	600	31.5	2	42.5x45x33
700	4	405PMB700K#	360	29	2.3	57.5x45x30
700	4	405RMB700K#	455	24	2.7	42.5x35.5x33.5
700	4.7	475PMB700K#	360	32.5	2.1	57.5x50x35
700	4.7	475RMB700K#	455	26.5	2.6	42.5x45x30
700	5	505PMB700K#	360	32	2.1	57.5x50x35
700	5	505PMB700K#	360	33	2.1	57.5x50x35
700	5	505RMB700K#	455	27.5	2.6	42.5x45x30
700	5.6	565PMB700K#	360	34	2	57.5x50x35
700	5.6	565RMB700K#	455	29.5	2.3	42.5x45x33
700	6.3	635PMB700K#	360	35.5	1.8	57.5x50x35
700	6.8	685PMB700K#	360	37.5	1.7	57.5x57.5x38
700	6.8	685RMB700K#	285	25	3.1	57.5x45x30
700	7.5	755RMB700K#	285	27	2.8	57.5x45x30
700	8	805RMB700K#	360	39.5	1.6	57.5x57.5x38
700	10	106RMB700K#	285	31.5	2.4	57.5x50x35
700	12	126RMB700K#	285	36.5	2.1	57.5x57.5x38
850	0.68	684PMB850K#	750	15	3.5	42.5x28x17
850	0.82	824PMB850K#	750	17	3.1	42.5x27.5x24.5
850	0.82	824PMB850KA#	750	17.5	3.1	42x32x17
850	1	105PMB850K#P2	750	19	2.7	42.5x27.5x24.5
850	1	105RMB850K#	600	13.5	4.9	42x32x14
850	1.5	155PMB850K#P1	750	24.5	2.2	42.5x35.5x33.5
850	1.5	155RMB850K#	600	16	4.5	42.5x33.5x22
850	1.75	175PMB850K#P1	750	26.5	2.1	42.5x35.5x33.5
850	1.75	175PMB850KA#	750	26.5	2.1	42.5x37x28
850	2	205PMB850K#P0	750	28.5	2	42.5x45x33
850	2	205PMB850KA#	750	28.5	2	42.5x45x30
850	2.2	225PMB850K#P0	750	29.5	2	42.5x45x33
850	2.2	225RMB850K#	600	19	4	42.5x35.5x33.5
850	2.2	225RMB850KA#	600	20	4	42.5x37x28
850	2.5	255PMB850K#P0	750	31.5	1.9	42.5x45x33
850	2.5	255RMB850K#	600	21	3.6	42.5x35.5x33.5
850	3	305PMB850K#	450	29.5	2.2	57.5x45x30
850	3	305RMB850K#	600	24.5	3.1	42.5x45x30
850	3.3	335PMB850K#	450	31	2.1	57.5x45x30
850	3.3	335RMB850K#	600	25.5	3.1	42.5x45x30
850	3.5	355RMB850K#	600	26.5	3	42.5x45x33
850	4	405PMB850K#	450	34	1.9	57.5x50x35
850	4	405RMB850K#	360	25	3.3	57.5x45x30

WVDC	Capacitance (μF)	IC PART NUMBER	dv/dt (v/μ sec.)	Maximum RMS Ripple Current (A) 100 kHz, +70°C	Typical ESR (mΩ) 100 kHz, +25°C	Dims LxHxT (mm)
850	4.7	475PMB850K#	450	36.5	1.8	57.5x50x35
850	5	505PMB850K#	360	37.5	1.8	57.5x57.5x38
850	5.6	565PMB850K#	450	39	1.6	57.5x57.5x38
850	5.6	565RMB850K#	360	29.5	2.9	57.5x50x35
850	6	605RMB850K#	450	39.5	1.6	57.5x57.5x38
850	6.8	685RMB850K#	360	31.5	2.6	57.5x57.5x38
850	8	805RMB850K#	360	35	2.3	57.5x57.5x38
1000	0.47	474PMB102K#	870	15	3.9	42.5x28x17
1000	0.68	684PMB102K#P2	870	17	3.3	42.5x27.5x24.5
1000	0.68	684RMB102K#	750	13.5	4.9	42.5x28x17
1000	0.75	754PMB102K#P2	870	18.5	3.1	42.5x27.5x24.5
1000	1	105RMB102K#	750	16.5	3.9	42.5x27.5x24.5
1000	1.2	125PMB102K#P1	870	23.5	2.5	42.5x35.5x33.5
1000	1.2	125PMB102KA#	870	24	2.5	42.5x37x28
1000	1.5	155PMB102K#P1	870	26	2.2	42.5x35.5x33.5
1000	1.75	175PMB102K#P0	870	28	2.1	42.5x45x30
1000	1.75	175RMB102K#	750	22	3.1	42.5x37x28
1000	2	205PMB102K#P0	870	29.5	2	42.5x45x33
1000	2	205PMB102KA#	870	29.5	2	42.5x45x30
1000	2.2	225PMB102K#	500	27.5	2.5	57.5x45x30
1000	2.2	225RMB102K#	750	25.5	3	42.5x45x33
1000	2.2	225RMB102KA#	750	25.5	3	42.5x45x30
1000	2.5	255RMB102K#	750	26.5	2.8	42.5x45x33
1000	3	305PMB102K#	500	32.5	2.1	57.5x50x35
1000	3	305RMB102K#	450	25	3.1	57.5x45x30
1000	3.3	335PMB102K#	1650	34.5	2	57.5x50x35
1000	3.3	335RMB102K#	450	26.5	3	57.5x45x30
1000	4	405RMB102K#	450	29.5	2.7	57.5x50x35
1000	4.7	475PMB102K#	500	34	1.7	57.5x57.5x38
1000	4.7	475RMB102K#	450	31.5	2.6	57.5x50x35
1000	5.6	565RMB102K#	450	33.5	2.4	57.5x57.5x38
1000	6	605RMB102K#	450	34.5	2.3	57.5x57.5x38
1200	0.33	334PMB122K#P2	1000	12.5	5.1	42.5x27.5x24.5
1200	0.33	334PMB122KB#	1000	12	5.1	42.5x28x17
1200	0.39	394PMB122K#P2	1000	14	4.6	42.5x27.5x24.5
1200	0.39	394PMB122KB#	1000	13.5	4.6	42.5x28x17
1200	0.47	474PMB122K#P2	1000	15	4.1	42.5x27.5x24.5
1200	0.47	474PMB122KA#	1000	15	4.1	42x32x17
1200	0.47	474RMB122K#	870	12.5	5.6	42.5x28x17
1200	0.56	564PMB122K#P2	1000	16	3.7	42.5x27.5x24.5
1200	0.68	684PMB122K#P1	1000	20	3.3	42.5x35.5x33.5
1200	0.68	684PMB122KA#	1000	20	3.3	42.5x33.5x22
1200	0.68	684RMB122K#	870	15	4.6	42.5x30x22
1200	0.82	824PMB122K#P1	1000	21	3	42.5x35.5x33.5
1200	1	105PMB122K#P1	1000	22.5	2.7	42.5x35.5x33.5
1200	1	105PMB122KA#	1000	23.5	2.7	42.5x37x28
1200	1.2	125PMB122K#P0	1200	25	2.4	42.5x45x33
1200	1.2	125PMB122KA#	1000	26	2.4	42.5x45x30
1200	1.2	125RMB122K#	870	20.5	3.6	42.5x35.5x33.5
1200	1.2	125RMB122K#	1000	25	2.4	42.5x35.5x33.5
1200	1.2	125RMB122KA#	870	21	3.6	42.5x37x28
1200	1.5	155PMB122K#P0	1000	28.5	2.1	42.5x45x33
1200	1.5	155RMB122K#	870	22	3.2	42.5x35.5x33.5
1200	2	205PMB122K#	575	28.5	2.4	57.5x45x30
1200	2	205RMB122K#	870	26.5	2.9	42.5x45x33
1200	2	205RMB122KA#	870	26.5	2.9	42.5x45x30
1200	2.2	225PMB122K#	575	31.5	2.3	57.5x50x35
1200	2.2	225RMB122K#	500	24	3.6	57.5x45x30

PMB_RMB

Metallized Polypropylene,
Power Semiconductor Direct
Mount Snubber Lug terminals

WVDC	Capacitance (μF)	IC PART NUMBER	dv/dt (v/μ sec.)	Maximum RMS Ripple Current (A) 100 kHz, +70°C	Typical ESR (mΩ) 100 kHz, +25°C	Dims LxHxT (mm)
1200	2.5	255PMB122K#	575	34	2.1	57.5x50x35
1200	2.5	255RMB122K#	500	26	3.4	57.5x45x30
1200	3	305RMB122K#	500	28	3	57.5x50x35
1200	3.3	335PMB122K#	575	37.5	1.9	57.5x57.5x38
1200	3.3	335RMB122K#	500	29.5	2.9	57.5x50x35
1200	3.5	355PMB122K#	575	38.5	1.9	57.5x57.5x38
1200	4	405RMB122K#	500	31	2.5	57.5x57.5x38
1200	4.7	475RMB122K#	500	34	2.3	57.5x57.5x38
1500	0.22	224PMB152K#	1220	12	6.1	42.5x28x17
1500	0.33	334PMB152K#P2	1220	14	4.6	42.5x27.5x24.5
1500	0.33	334PMB152KA#	1220	14.5	4.6	42x32x17
1500	0.39	394PMB152K#	1000	11.6	6.6	42.5x28x17
1500	0.39	394PMB152K#P2	1220	16	4.2	42.5x27.5x24.5
1500	0.47	474PMB152K#P1	1220	18.5	3.7	42.5x35.5x33.5
1500	0.47	474PMB152KA#	1220	18.5	3.7	42.5x33.5x22
1500	0.47	474RMB152K#	1000	13.5	5.8	42x32x14
1500	0.56	564RMB152K#	1000	14.5	5.1	42.5x30x22
1500	0.56	564RMB152KA#	1000	14.5	5.1	42.5x27.5x24.5
1500	0.68	684PMB152K#P1	1220	21.5	3.1	42.5x35.5x33.5
1500	0.68	684PMB152KA#	1220	22	3.1	42.5x37x28
1500	0.68	684RMB152K#	1000	15.5	4.7	42.5x33.5x22
1500	0.75	754PMB152K#P1	1220	23	2.8	42.5x35.5x33.5
1500	1	105PMB152K#P0	1220	26.5	2.5	42.5x45x33
1500	1	105RMB152K#	1000	19.5	4	42.5x37x28
1500	1.2	125PMB152K#	870	26.5	2.8	57.5x45x30
1500	1.2	125RMB152K#	1200	23.5	3.5	42.5x45x30
1500	1.5	155PMB152K#	725	30	2.5	57.5x50x35
1500	1.5	155RMB152K#	1000	25.5	3.2	42.5x45x33
1500	1.8	185PMB152K#	725	32	2.3	57.5x50x35
1500	2	205RMB152K#	575	24.5	3.5	57.5x45x30
1500	2.2	225PMB152K#	725	34.5	2.2	57.5x57.5x38
1500	2.2	225RMB152K#	575	26.5	3.4	57.5x50x35
1500	2.5	255RMB152K#	575	28.5	3.2	57.5x50x35
1500	3	305RMB152K#	575	30	2.9	57.5x57.5x38
1500	3.3	335RMB152K#	575	31.5	2.8	57.5x57.5x38
2000	0.1	104PMB202K#	1600	8.5	12.5	42.5x28x17
2000	0.1	104PMB202K#P2	1600	8.5	12.5	42.5x27.5x24.5
2000	0.15	154PMB202K#P2	1600	11	7.4	42.5x27.5x24.5
2000	0.15	154PMB202KA#	1600	11	7.4	42.5x28x14
2000	0.22	224PMB202K#P2	1600	14	5.1	42.5x27.5x24.5
2000	0.22	224PMB202KA#	1600	14	5.1	42x32x17
2000	0.22	224RMB202K#	1220	10.5	8.8	42.5x28x17
2000	0.33	334PMB202K#P1	1600	18	4.1	42.5x35.5x33.5
2000	0.33	334RMB202K#	1220	13	6.6	42.5x27.5x24.5
2000	0.39	394PMB202K#P1	1000	20.5	3.7	42.5x35.5x33.5
2000	0.39	394PMB202KA#	1600	20.5	3.7	42.5x37x28
2000	0.39	394PMB252K#	2050	23.5	3.4	42.5x45x30
2000	0.39	394RMB202K#	1220	14	6.1	42.5x33.5x22
2000	0.47	474PMB202K#P0	1600	22	3.3	42.5x45x33
2000	0.47	474PMB202KA#	1600	22	3.3	42.5x45x30
2000	0.47	474RMB202K#	1220	16.5	5.3	42.5x35.5x33.5
2000	0.56	564PMB202K#P0	1600	24.5	3	42.5x45x33
2000	0.56	564PMB202KA#	1600	24.5	3	42.5x45x30
2000	0.56	564RMB202K#	1220	17.5	4.9	42.5x37x28

WVDC	Capacitance (μF)	IC PART NUMBER	dv/dt (v/μ sec.)	Maximum RMS Ripple Current (A) 100 kHz, +70°C	Typical ESR (mΩ) 100 kHz, +25°C	Dims LxHxT (mm)
2000	0.68	684PMB202K#	930	23	3.5	57.5x45x30
2000	0.68	684RMB202K#	1220	18.5	4.6	42.5x35.5x33.5
2000	0.82	824PMB202K#	930	24.5	3.1	57.5x45x30
2000	0.82	824RMB202KA#	1220	21.5	4.1	42.5x45x33
2000	1	105PMB202K#	930	28	2.8	57.5x50x35
2000	1	105RMB202K#	1220	23.5	3.7	42.5x45x33
2000	1.2	125PMB202K#	930	31.5	2.5	57.5x50x35
2000	1.2	125RMB202K#	725	23	4	57.5x45x30
2000	1.5	155PMB202K#	930	35	2.2	57.5x57.5x38
2000	1.5	155RMB202K#	725	26.5	3.6	57.5x50x35
2000	2.2	225RMB202K#	725	30.5	3	57.5x57.5x38
2500	0.1	104PMB252K#P2	2050	9	11	42.5x27.5x24.5
2500	0.1	104PMB252KB#	2050	9	11	42.5x28x17
2500	0.15	154PMB252K#P2	2050	12	7.1	42.5x27.5x24.5
2500	0.15	154RMB252K#	1600	9.5	10.7	42.5x28x14
2500	0.22	224PMB252K#P1	2050	16	5.2	42.5x35.5x33.5
2500	0.22	224RMB252K#	1600	11.5	7.3	42x32x17
2500	0.22	224RMB252KA#	1600	11.5	7.3	42.5x27.5x24.5
2500	0.27	274PMB252K#	2050	18	4.5	42.5x37x28
2500	0.27	274RMB252K#	1600	13.5	6.1	42.5x33.5x22
2500	0.33	334PMB252K#P1	2050	19	3.8	42.5x35.5x33.5
2500	0.47	474PMB252K#P0	2050	26	3.1	42.5x45x30
2500	0.47	474RMB252K#	1600	19.5	4.7	42.5x45x30
2500	0.56	564PMB252K#	1150	23.5	3.5	57.5x45x30
2500	0.68	684PMB252K#	1150	26	3.2	57.5x50x35
2500	0.68	684RMB252K#	930	20	5	57.5x45x30
2500	0.82	824PMB252K#	1150	29	2.9	57.5x50x35
2500	0.82	824RMB252K#	930	22	4.5	57.5x45x30
2500	1	105PMB252K#	1150	32	2.7	57.5x57.5x38
2500	1	105RMB252K#	930	24	4.1	57.5x50x35
2500	1.2	125RMB252K#	930	26	3.6	57.5x50x35
2500	1.5	155RMB252K#	930	30	3.2	57.5x57.5x38
3000	0.047	473PMB302K#P2	2500	7.5	16.5	42.5x27.5x24.5
3000	0.047	473PMB303KB#	2500	7	16.5	42.5x28x17
3000	0.068	683PMB302K#P2	2500	9	11.5	42.5x27.5x24.5
3000	0.1	104PMB302K#P1	2500	12.5	8.5	42.5x35.5x33.5
3000	0.1	104PMB302KA#	2500	12.5	8.5	42.5x30x22
3000	0.1	104RMB302K#	2050	7.5	11.5	42.5x28x17
3000	0.15	154PMB302K#P1	2500	15.5	5.9	42.5x35.5x33.5
3000	0.15	154PMB302KA#	2500	15.5	5.9	42.5x37x28
3000	0.15	154RMB302K#	2050	10.5	10.2	42.5x30x22
3000	0.22	224PMB302K#P0	2500	21	4.3	42.5x45x33
3000	0.22	224RMB302K#	2050	14.5	7.3	42.5x35.5x33.5
3000	0.22	224RMB302K#	2050	14.5	7.3	42.5x35.5x33.5
3000	0.22	224RMB302KA#	2050	14.5	7.3	42.5x37x28
3000	0.33	334PMB302K#	1400	21.5	4.3	57.5x45x30
3000	0.33	334RMB302K#	2050	17	5.4	42.5x35.5x33.5
3000	0.47	474PMB302K#	1400	26	3.8	57.5x50x35
3000	0.47	474RMB302K#	2050	21.5	4.3	42.5x45x33
3000	0.56	564PMB302K#	1400	29	3.5	57.5x57.5x38
3000	0.68	684PMB302KB#	2500	9	11.5	42.5x28x14
3000	0.68	684RMB302K#	1150	22	5.1	57.5x50x35
3000	0.82	824RMB302K#	1150	24.5	4.5	57.5x50x35
3000	1	105RMB302K#	1150	28	3.9	57.5x57.5x38