



Not Recommended for New Design – See our [DGH](#) series for New Designs

### FEATURES

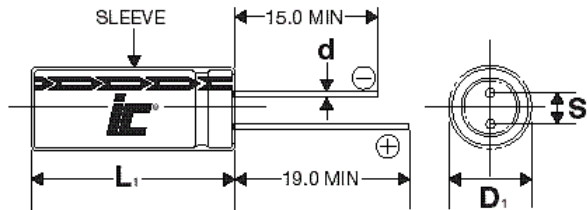
Very fast charge/discharge – High power density – IEC 62391 compliant – Circuit board mountable

### APPLICATIONS

Battery backup/ alternative – Pulse power – Energy harvesting – LED Displays – Mechanical actuators – Audio systems

<b>Operating Temperature Range</b>		<b>-25°C to +70°C</b>	
<b>Capacitance Tolerance</b>		<b>-20%/+50% @ 20°C</b>	
<b>Voltage</b>	<b>WVDC</b>	<b>2.3</b>	
	<b>SVDC</b>	<b>2.5</b>	
<b>Maximum Current</b>		See standard part listing	1 second discharge to ½ WVDC
<b>Leakage Current</b>		See standard part listing	72 hours, 25°C
<b>1000 hours at rated voltage and 70°C</b>			
<b>Endurance</b>		<b>Capacitance Change</b>	±30% of initially measured values
		<b>ESR</b>	≤200% of initially specified values
<b>25,000 cycles</b>			
<b>Life Cycles</b> ( 25°C) 1 cycle= Charge to WVDC for 20s, constant voltage charging for 10s, discharge to ½ WVDC for 20s, rest for 10 s		<b>Capacitance Change</b>	±30% of initially measured values
		<b>ESR</b>	≤200% of initially specified values

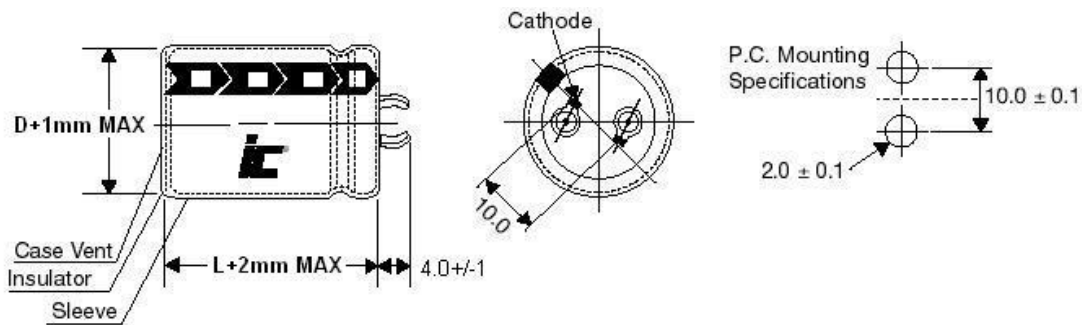
### Diameters: ≤22 mm



D	10	16	18	22
S	5.0	7.5	7.5	10
d	0.6	0.8	0.8	1.0

L<sub>1</sub>=L+1.5mm  
D<sub>1</sub>=D+0.5mm  
S<sub>1</sub>=S±0.5mm

### Diameters: >22mm



# DCR

Radial Lead, High energy

WVDC	Capacitance (F)	IC PART NUMBER	MAX Current (A)	ESR AC 1 kHz (mΩ)	DC ESR (mΩ) 20°C	Max stored energy (mWh)	LC (mA), (72 hrs)	Specific Energy Gravimetric Density (wh/kg)	Specific Energy Volumetric Density (wh/l)	Specific Power Gravimetric Density (kw/kg)	Specific Power Volumetric Density (kw/l)	Weight (grams)	Volume (mL)	Dims DxL (mm)	Lead Spacing (mm)
2.3	10.0	<a href="#">106DCR2R3SGU</a>	2.3	220	400	7.3472	0.05	3.6736	4.6774	0.794	1.0103	2	1.5708	10x20	5
2.3	22.0	<a href="#">226DCR2R3STU</a>	5.34	120	170	16.1639	0.065	4.6852	6.5858	1.082	1.5214	3.45	2.4544	12.5x20	5
2.3	30.0	<a href="#">306DCR2R3STV</a>	5.95	100	160	22.0417	0.085	5.8004	7.1845	1.044	1.2932	3.8	3.068	12.5x25	5
2.3	50.0	<a href="#">506DCR2R3SKV</a>	9.58	60	100	36.7361	0.11	5.248	7.3084	0.9069	1.2629	7	5.0265	16x25	7.5
2.3	70.0	<a href="#">706DCR2R3SKY</a>	11.58	50	85	51.4306	0.15	6.1593	7.3084	0.894	1.0613	8.35	7.0372	16x35	7.5
2.3	120.0	<a href="#">127DCR2R3SLZ</a>	15.68	35	65	88.1667	0.4	5.44	8.6618	0.603	0.9595	16.2	10.179	18x40	7.5
2.3	220.0	<a href="#">227DCR2R3SNI</a>	23.21	25	45	161.1639	0.9	6.4656	9.0472	0.5643	0.7896	25	17.866	22x47	10
2.3	400.0	<a href="#">407DCR2R3SDG</a>	41.82	20	25	293.8889	2	4.432	9.2393	0.3829	0.7983	66.31	31.809	30x45	10
2.3	600.0	<a href="#">607DCR2R3SDZ</a>	53.08	15	20	440.8333	4	6.5649	10.394	0.473	0.7484	67.15	42.412	30x60	10
2.3	800.0	<a href="#">807DCR2R3SEK</a>	70.77	10	15	587.7778	7.2	7.9926	8.7275	0.5755	0.6284	73.54	67.348	35x70	10