

# MICRO SWITCH

A DIVISION OF MINNEAPOLIS-HONEYWELL REGULATOR COMPANY  
 FREEPORT, ILLINOIS

FED. MFR. CODE 91929

# SWITCH-BASIC

CATALOG LISTING  
**1SE1-2**

(M) ISE1-2  
 ISSUE 4

1SE1-2  
 PAGE 1 OF 1

M

DRAWING  
 NUMBER

10

9

ISSUE

X

REPLACES

RELEASE NO.

CHECK

REVISIONS

A	CO16449
D A W 28 DEC 61	
B	CO-34213
J A L 24 SEPT 74	
C	CO 51463F
S L B 9 NOV 82	
D	CO57041A
C J H 2 MAR 85	
E	CO 174176
T S M 15 JAN 93	
F	CO94274
D L M MAR 99	

CHECK

27 FEB 82

D A W

CHECK

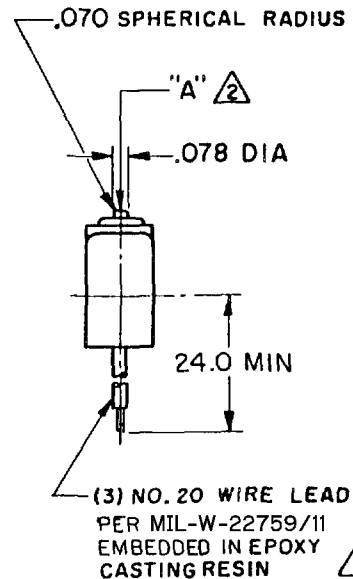
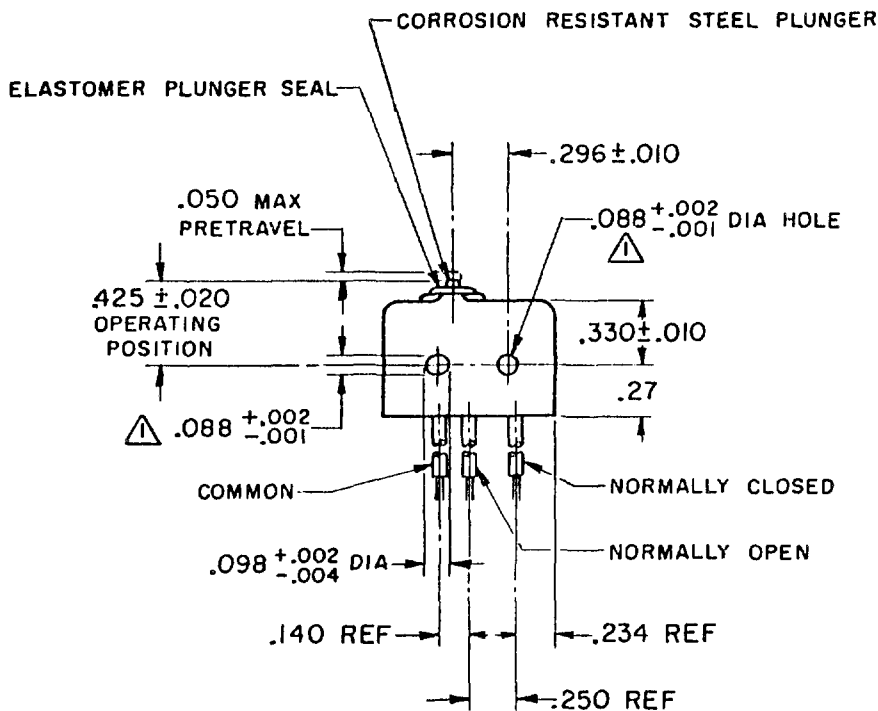
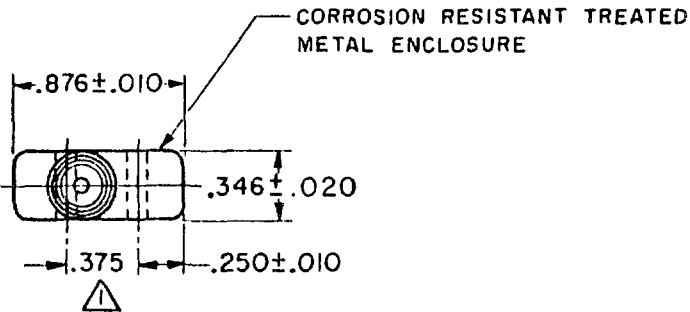
28 DEC 61

CHECK

D A W

FO-50378

D A W



NOTE -

- ① - MOUNTING HOLES WILL ACCEPT .087 MAX DIA PINS OR SCREWS ON .375 ± .002 CENTERS
- ② - ACTUATION IN LINE WITH ARROW "A" IS RECOMMENDED
- ③ - WEIGHT OF SWITCH ONLY IS .26 OZ MAX. WEIGHT OF SWITCH WITH WIRE LEADS IS 1.02 OZ MAX
- ④ - WIRE LEADS MARKED WITH CIRCUIT IDENTIFICATION AND WIRE GAGE (COMMON - C-20, NORMALLY OPEN - NO-20, ETC.) PER MIL-W-5088

THIS DRAWING COVERS A PROPRIETARY ITEM AND IS THE PROPERTY OF MICRO SWITCH, A DIVISION OF MINNEAPOLIS-HONEYWELL REGULATOR CO. THIS DRAWING IS NOT TO BE COPIED OR USED WITHOUT THE APPROVAL OF MICRO SWITCH.

CHARACTERISTICS	ELECTRICAL DATA	SCALE FULL
OPERATING FORCE ----- 5-17 OZ	CONTACT ARRANGEMENT S P D T	DO NOT SCALE PRINT
RELEASE FORCE ----- 4 OZ MIN	250 VAC ----- 5 AMP	UNLESS OTHERWISE SPECIFIED DIMENSIONS ARE IN INCHES <b>TOLERANCES ARE:</b>
RELEASE TRAVEL ----- .004 MIN	30 VOLTS DC RATING	
DIFFERENTIAL TRAVEL ----- .004 MAX	INDUCTIVE ----- SEA LEVEL ----- 3 AMP	ONE PLACE (.0) ± .030
OVERTRAVEL ----- .003 MIN	50,000 FT ----- 2.5 AMP	TWO PLACE (.00) ± .015
	RESISTIVE ----- SEA LEVEL ----- 5 AMP	THREE PLACE (.000) ± .008
	50,000 FT ----- 5 AMP	ANGLES ±
	MAXIMUM INRUSH ----- 24 AMP	WEIGHT ③

FORMTEK