

## Interactive Catalog Replaces Catalog Pages

Honeywell Sensing and Control has replaced the PDF product catalog with the new **Interactive Catalog**. The **Interactive Catalog** is a power search tool that makes it easier to find product information. It includes more installation, application, and technical information than ever before.



**Click this icon to try the new  
Interactive Catalog.**

---

### **Sensing and Control**

Honeywell Inc.

11 West Spring Street

Freeport, Illinois 61032

# ZS-00417-02

## ONE PART 12MM CYLINDRICAL PROXIMITY SENSOR

### Description :

Environment-proof self-contained proximity sensor enclosed in a rugged hermetically sealed ceramic/stainless steel housing, designed to meet the requirements of aerospace applications.

Operation by the Eddy Current Killed Oscillator (ECKO) principle, which is used to detect metallic objects passing in front of the sensing face. Once a target metal is detected, a trigger signal is produced which is then passed through the output conditioning circuitry to give a high or low output, depending on the sensor application.



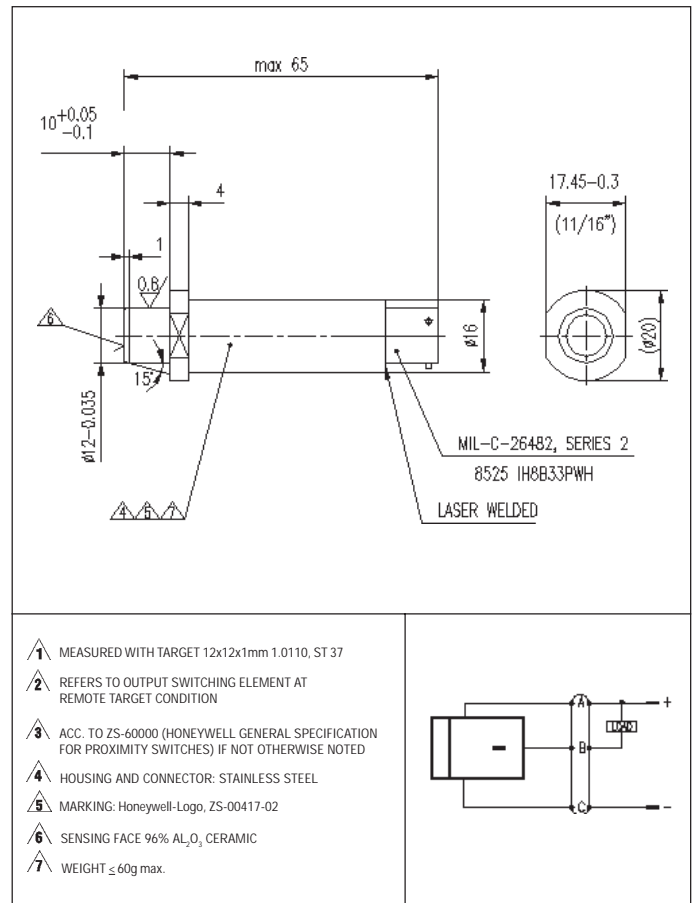
### Features :

- All metal sensing
- Small size 12 mm cylindrical housing with MIL-C-26482 connector
- High pressure capability (> 350 bar)
- High level EMC and lightning strike performance

### Typical Applications :

- Aircraft hydraulic systems
- Fighting vehicle engine and transmission controls
- Ship and submarine hydraulic systems

Dimensions in mm (for reference only)



# Specifications

Sensing Characteristics :		
	Level	Specification (Note 1)
Switching function	Normally open, current sink	Note 2
Guaranteed actuation distance	≥ 1.70 mm	
Guaranteed deactuation distance	≤ 2.80 mm	
Electrical Specifications :		
Power Supply -		
Supply voltage	14 to 32.5 V	RTCA/DO-160C, CAT A
Ripple voltage	≤ 1.4 V /0.01-200 kHz	RTCA/DO-160C, CAT A
Surge voltage	46 V in 100 ms	RTCA/DO-160C, CAT A
Voltage spikes	600 V at 5 μs	RTCA/DO-160C, CAT A
Current consumption w/o load	≤ 10 mA	
Dielectric strength	> 500 V	ABD 0007, 2-3.7.1
Insulation resistance	> 100 MOhm at 45 V	ABD 0007, 2-3.7.2
Output -		
On state output voltage	≤ 1.65 V at 250 mA	
Load current	≤ 250 mA	
Off state leakage current	≤ 100 μA	
Overload protection	yes	
Environmental Specifications :		
Operating temperature range	-55° to +85° C	RTCA/DO-160C, 4.3
Survival temperature range	-65° to +85° C	RTCA/DO-160C, 4.3
Pressure proofness, burst	≥ 350 bar	
Altitude/pressure	-305 m to 13,030 m	ABD 0007, 3-3
Humidity	Category B	ABD 0007, 3-4.2
Immersion	250 mbar	AIR 1810A, 5.1
Salt mist	Category S	ABD 0007, 3-7
Vibration	Category 6 (D/R)	ABD 0007, 3-9.2
Vibration spectrum code	D/R	ABD 0007, 3-9.2
Operational shock	6 g/11 ms	ABD 0007, 3-11.1
Constant acceleration	6.5 gn	ABD 0007, 3-12.3
EMC Requirements :		
AF conducted susceptibility	Category A	RTCA/DO-160C, 18
Induced signal susceptibility	Category A	RTCA/DO-160C, 19
RF susceptibility, conducted/radiated	Category A1B 10 V/m	MIL-STD-461 B
RF emission	Category A	RTCA/DO-160C, 21
Lightning induced transit susceptibility	Category XXE5	RTCA/DO-160C, 22 JUNE, 19 1992
Mean Time Between Failure prediction	120000 hrs	MIL-HDBK-217 E
<b>Notes :</b> 1. Unless otherwise stated, tested to or by similarity to Honeywell internal specifications 2. Refers to output switching element at remote target condition		
Ordering guide		
Listing	Description	
ZS-00417-02	Normally open, current sinking	