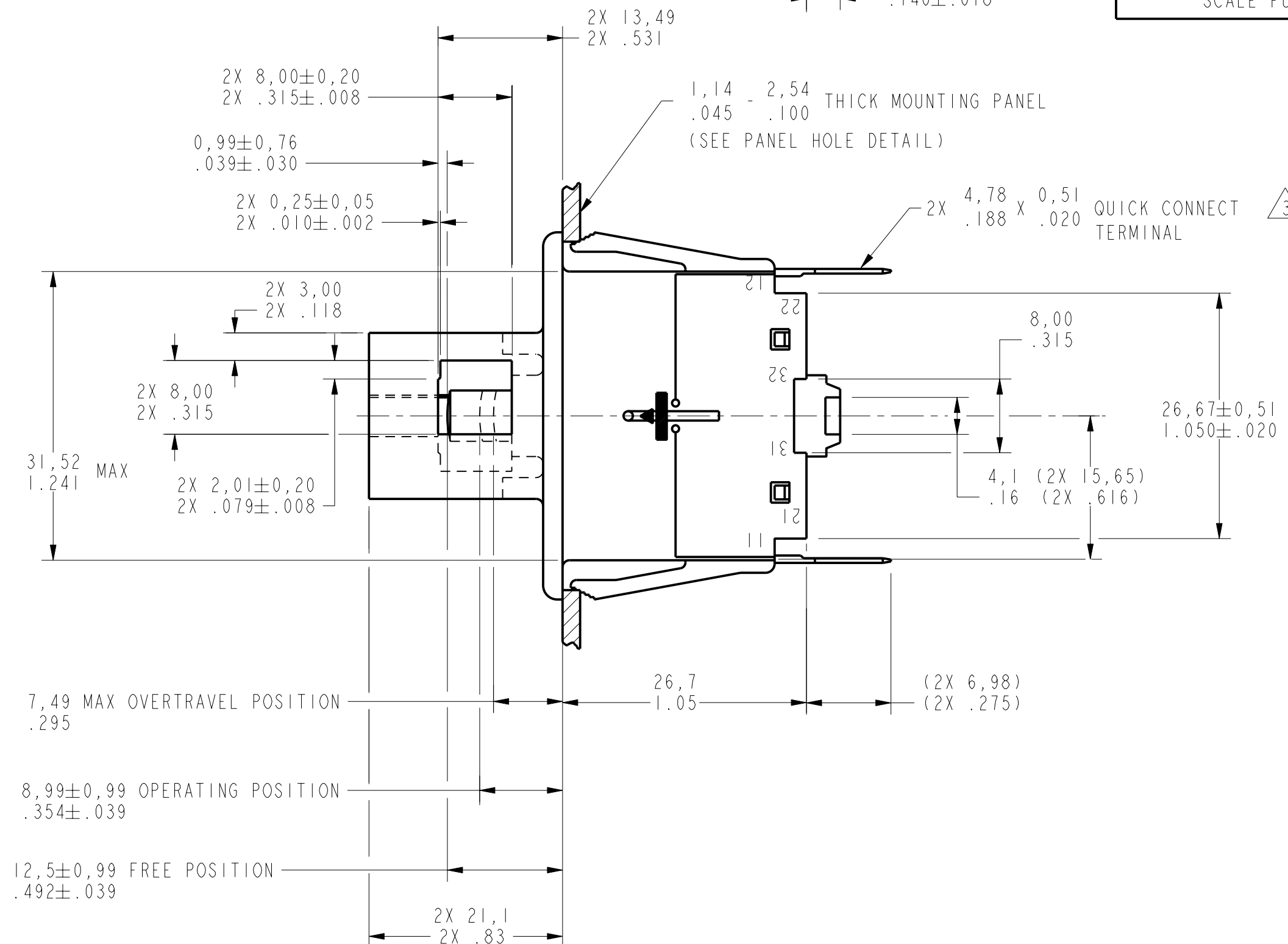
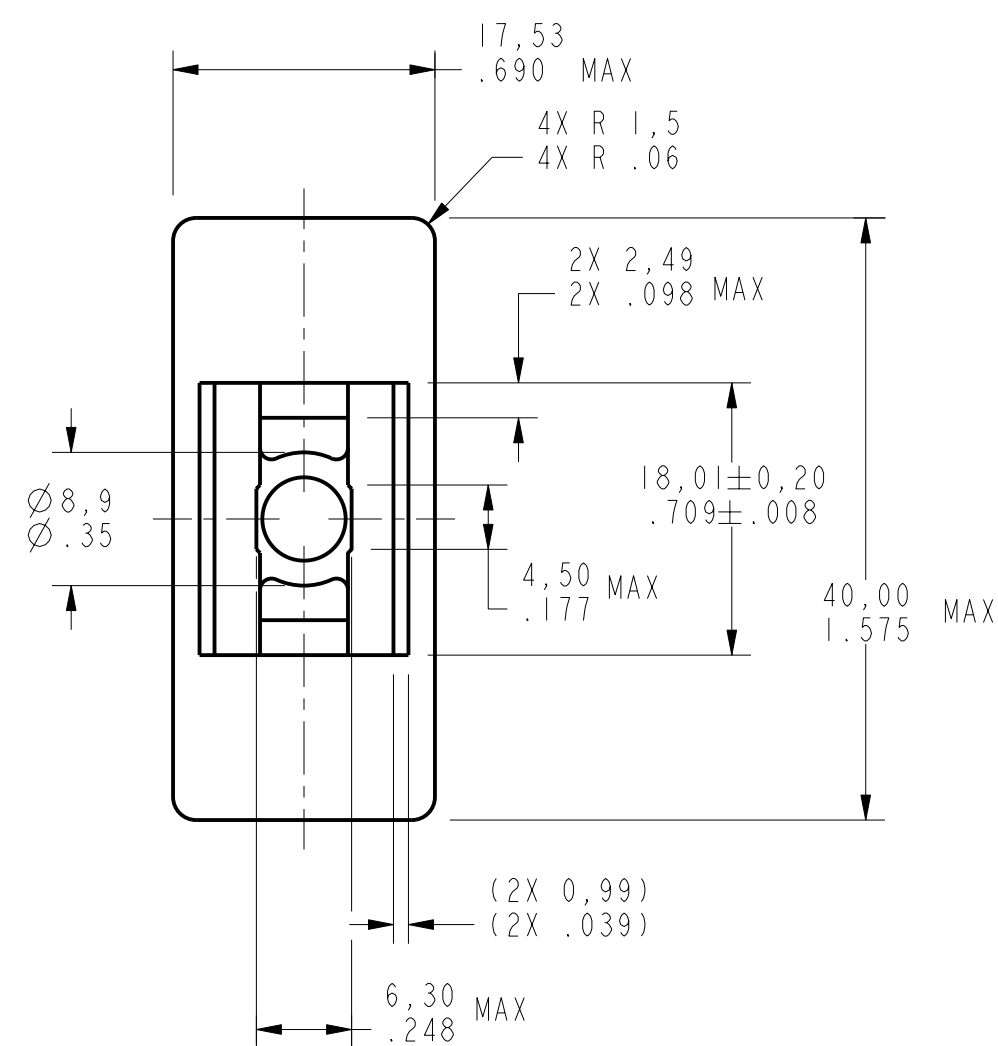
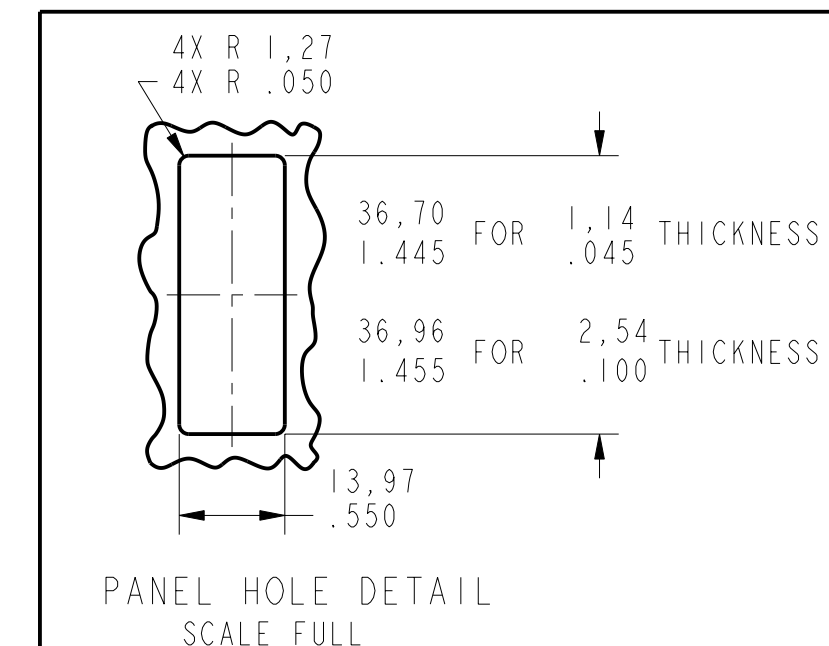
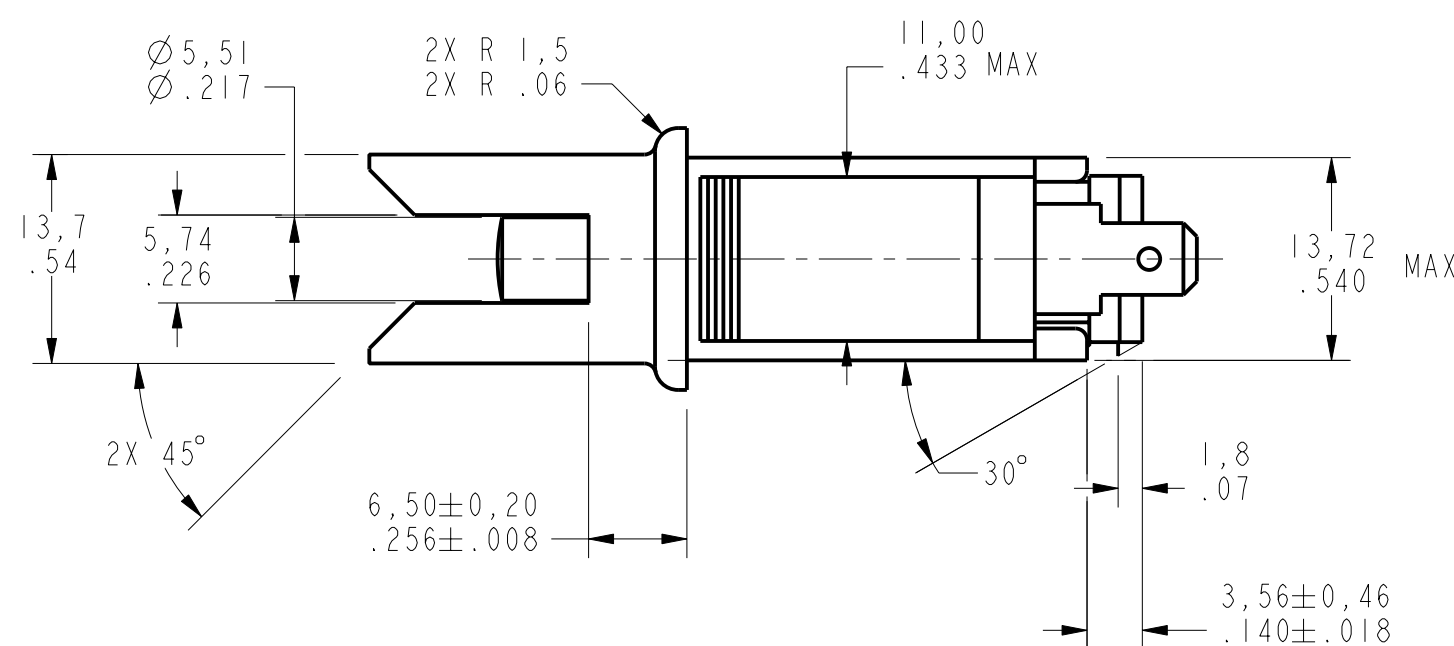


M

WWIA24A-D8



NOTES

- 1 - BLACK PLASTIC HOUSING AND PLUNGER
- 2 - HOUSING HAS BOSS AROUND PLUNGER TO MEET BSI AND VDE AGENCY
- 8.0/.315 CLEARANCE REQUIREMENT
- 3 QUICK CONNECT TERMINALS CONFORM TO 4.78/.188 WIDE X 0.51/.020 THICK NEMA DC-2 SPECIFICATION

PTC/CAD 2D
 DRAWING NUMBER
 ISSUE
 REVISIONS
 A 204751
 B 205030
 C.S.L. 29 JAN 02
 SAV 29 JAN 02
 CHECK
 RELEASE NO. PR-19951
 X95375-WW

CHARACTERISTICS	ELECTRICAL DATA
OPERATING FORCE - - 5.62N/20 OZ APPROX	CONTACT ARRANGEMENT SINGLE POLE
OVERTRAVEL - - - - - 2.00/.079 MIN	16A 1/2HP 125, 250 VAC 3A 125 VAC "L" PILOT DUTY: 150 VA 125, 250 VAC 2A - 24 VDC (CKT 11-12 AND 31-32) 60/75°C (CU)

THIS DRAWING COVERS A PROPRIETARY ITEM AND IS THE PROPERTY OF MICRO SWITCH, A DIVISION OF HONEYWELL. THIS DRAWING IS NOT TO BE COPIED OR USED WITHOUT THE APPROVAL OF MICRO SWITCH.

MICRO SWITCH a Honeywell Division

SWITCH - BASIC

CATALOG LISTING

WWIA24A-D8

DESIGN UNITS

WEIGHT

THIRD ANGLE PROJECTION

SCALE 2:1

DO NOT SCALE PRINT

TOLERANCES

APPLY TO DESIGN UNITS. CONVERSIONS ARE ONLY FOR REFERENCE. UNLESS NOTED, TOLERANCES ARE:

DIM	TOL	DIM	TOL
mm	mm/±	"	mm/±
NO PLACES	X	1/2, 04	X, X
ONE PLACE	X, X	0.47, 016	X, XX
TWO PLACES	X, XX	0.157, 006	X, XXX
THREE PLACES	X, XXX		X, XXXX
ANGLES			5°

SI METRIC

US CUSTOMARY

ANSI Y14.5M-1982 APPLIES

FED. MFG. CODE 91929