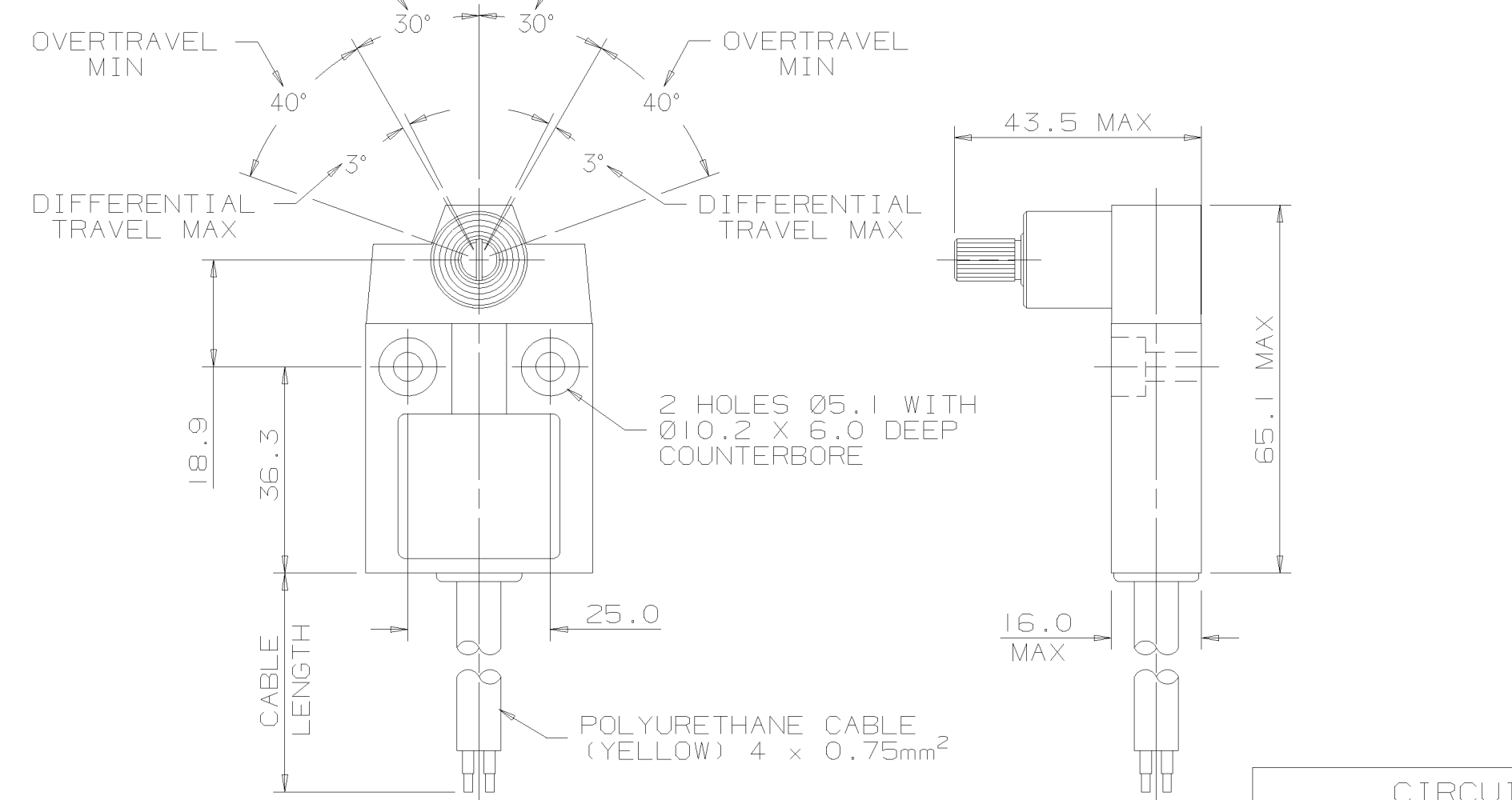
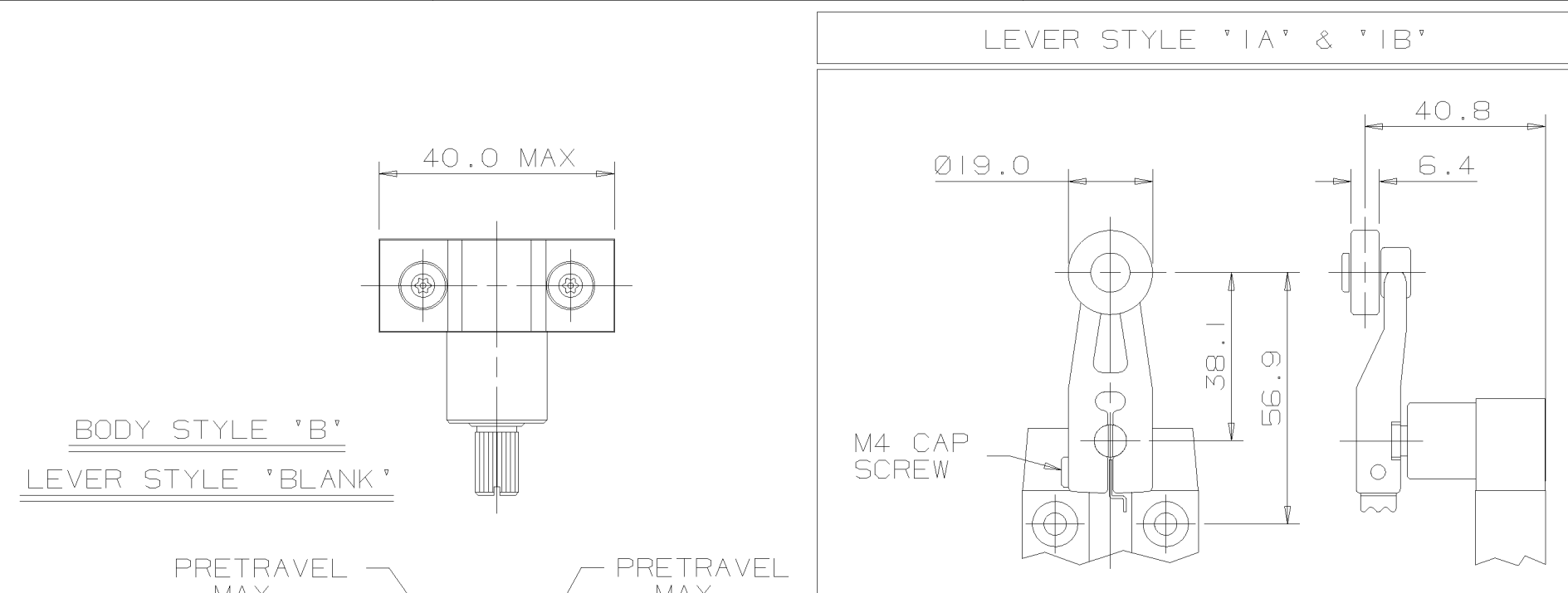
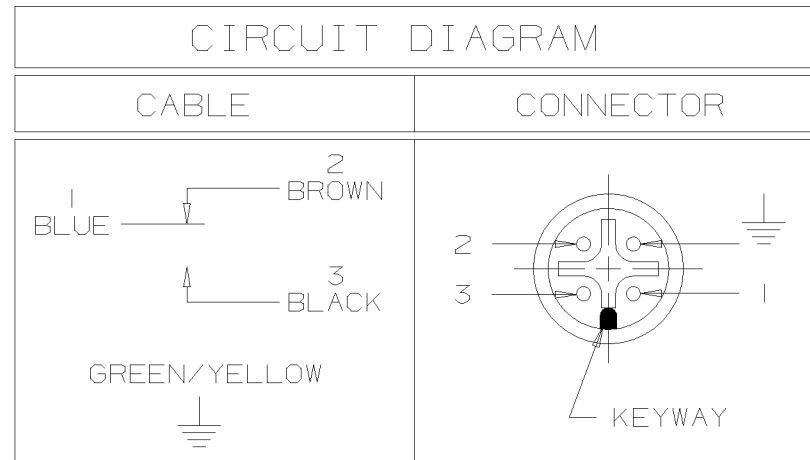
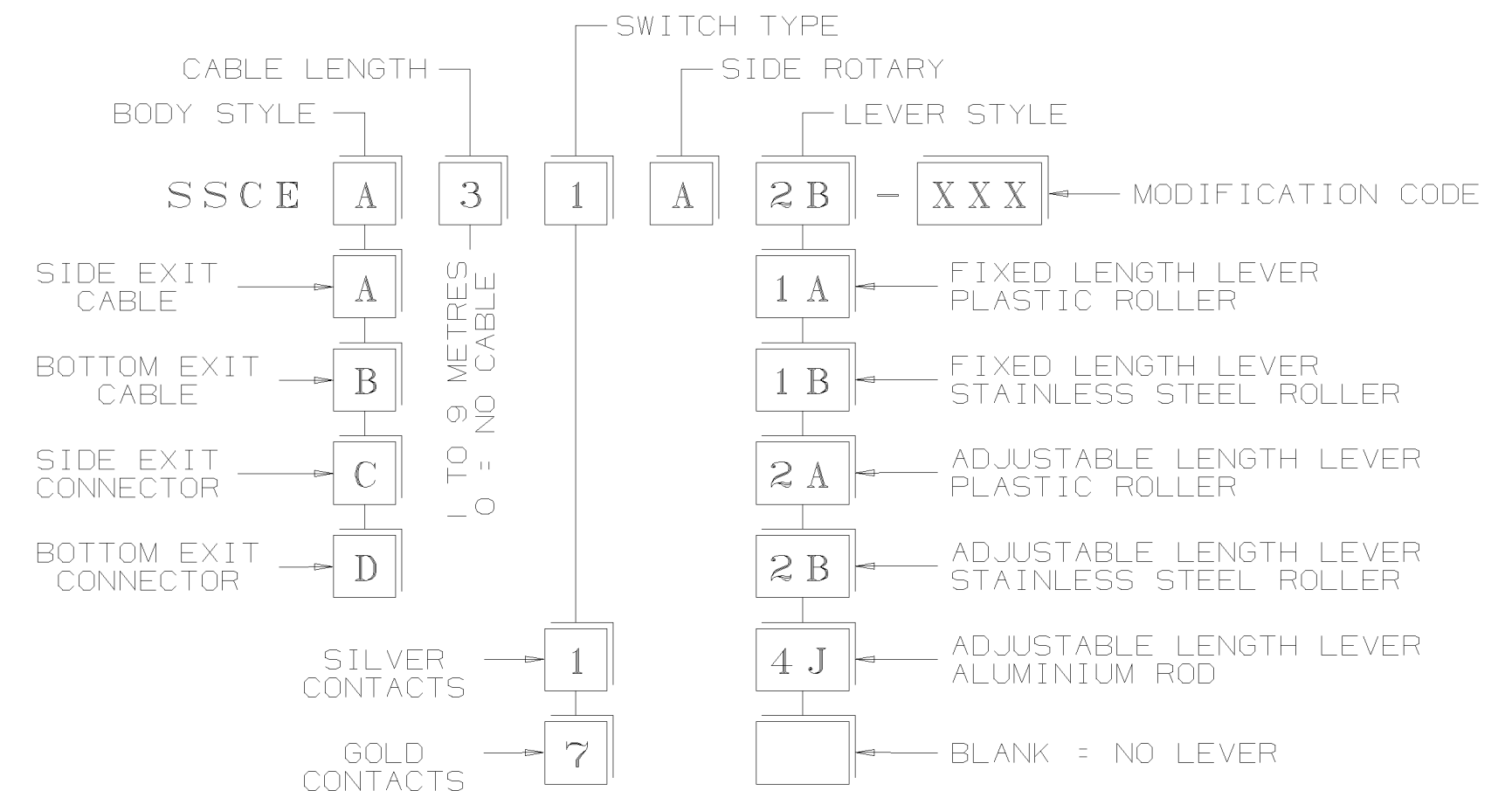
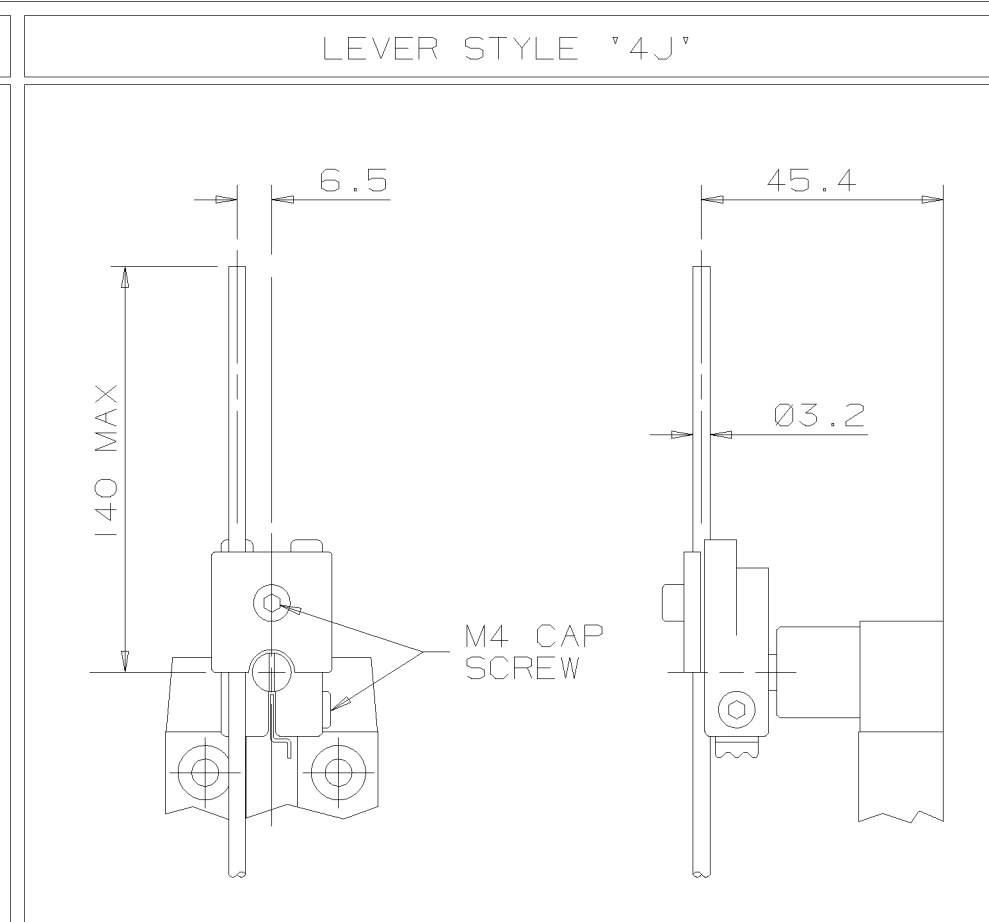
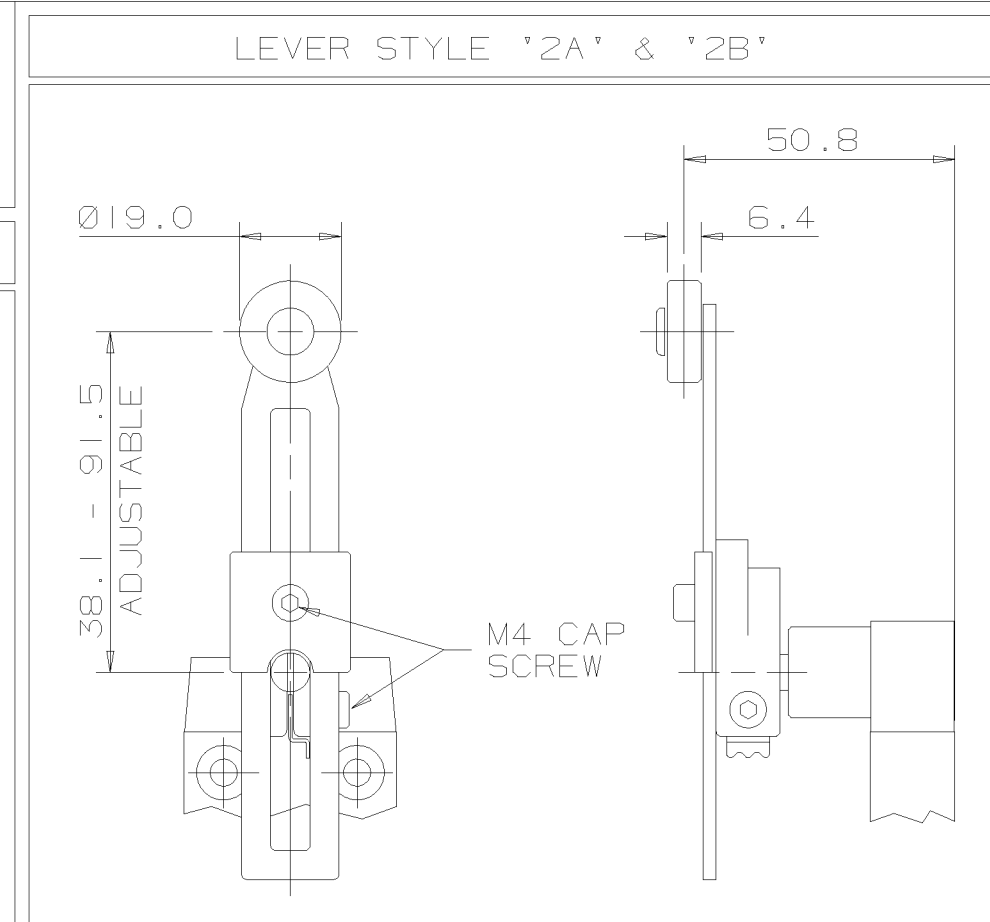


DO NOT SCALE PRINT
A2 FORMAT
MTG-CE-294
REPLACES
MTG-CE-294
CHART NUMBER
DR*326
ISSUE
RELEASE No.
REVISIONS
DRAWN
CHECK
DESIGN
AUTHOR* N

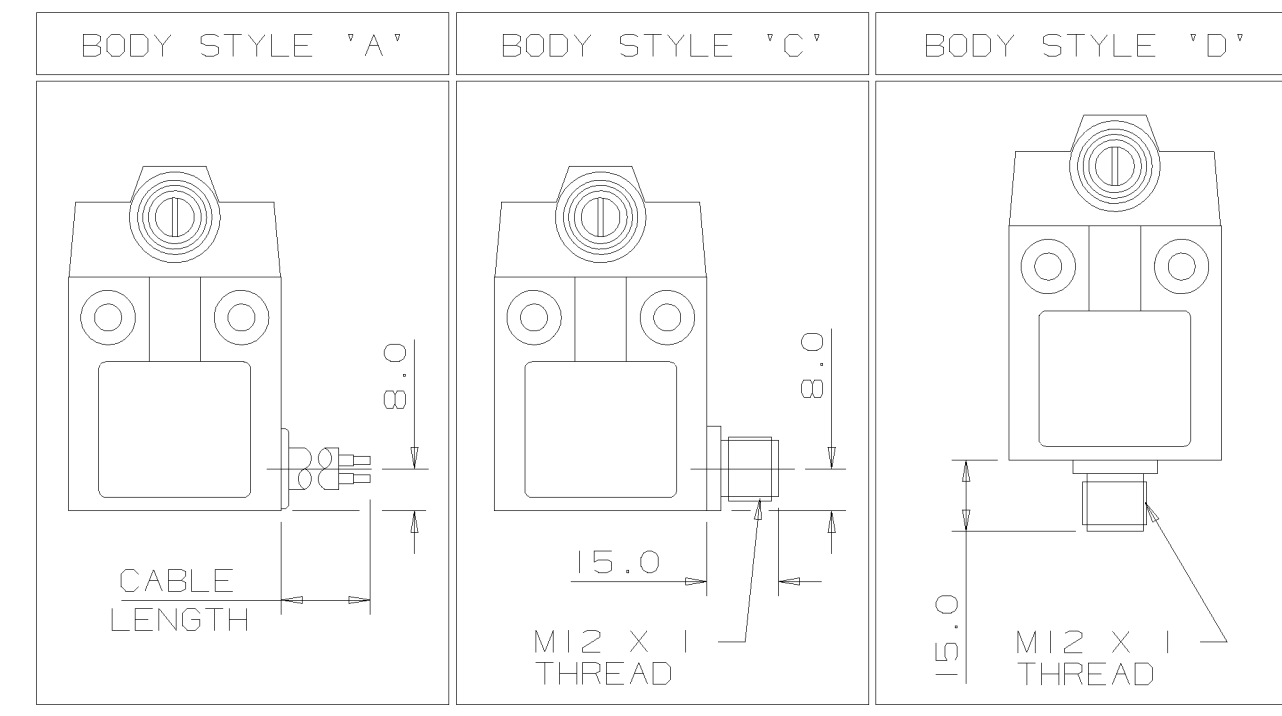
Honeywell
SEALED LIMIT SWITCH
CHART NUMBER
MTG-CE-294



- NOTES:-
1. DIE CAST ZINC HOUSING FINISHED IN BLACK PAINT.
 2. ALL LISTINGS IEC-947-5-1 APPROVED EXCEPT THOSE LISTINGS WHICH INCLUDE SWITCH TYPE '7'.
 3. LEVERS MAY BE ATTACHED TO SHAFT IN ANY POSITION THROUGH 360°. THEY MAY ALSO BE REVERSED.
 4. STANDARD LISTINGS CAN HAVE SUFFIX 'RS' OR 'FE'.



ELECTRICAL RATING				ENVIRONMENTAL	APPROVALS	CHARACTERISTICS
SILVER CONTACTS		GOLD CONTACTS		IP68 TEMP RANGE : -40°C TO 90°C -40°F TO 194°F OPERATING AND STORAGE SHOCK : 50G PER IEC 68-2-27 VIBRATION : 10G PER IEC 68-2-6	 IEC 947-5-1 EN60947-5-1	OPERATING FORCE $\frac{7.85 N}{800 G}$ MAX RELEASE FORCE $\frac{1.0 N}{100 G}$ MIN FORCES MEASURED AT 38.1 RADIUS
AC	DC	1 - 50V AC/DC				
D300 Ue	AC14 Ie	R300 Ue	DC13 Ie			
VOLTS	AMPS	VOLTS	AMPS			
120	0.6	125	0.22			
240	0.3	250	0.1			



THE COPYRIGHT OF THIS DRAWING IS THE PROPERTY OF HONEYWELL LTD. THE DRAWING IS SUPPLIED IN CONFIDENCE AND MUST NOT BE USED FOR ANY PURPOSE OTHER THAN THAT FOR WHICH IT IS SUPPLIED.

THIRD ANGLE PROJECTION

SCALE 2/1
DIMENSIONS ARE IN MM
TOLERANCES UNLESS OTHERWISE STATED ±0.15

MODIFY ON CAD SYSTEM ONLY