

REV	DOCUMENT	CHANGED BY	CHECK
1	DR-5311	LRK 30NOV99	JAF
2	PR-24357	GRT 13 DEC 99	SAV
3	201747	GRT 21NOV00	SAV

**MAGNETIC CHARACTERISTICS** 2

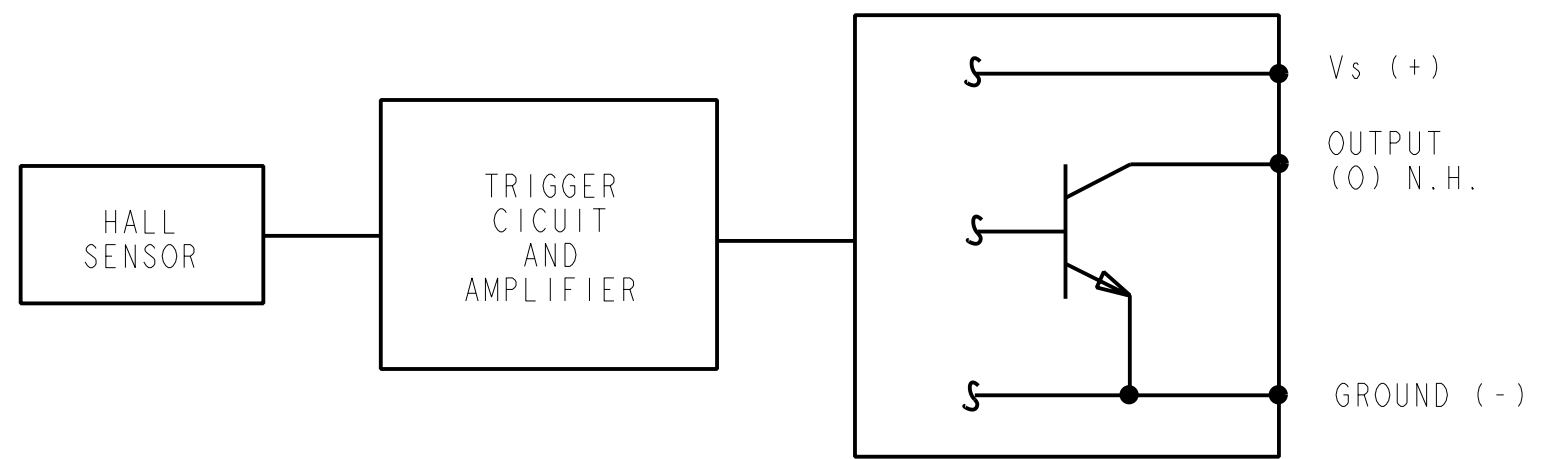
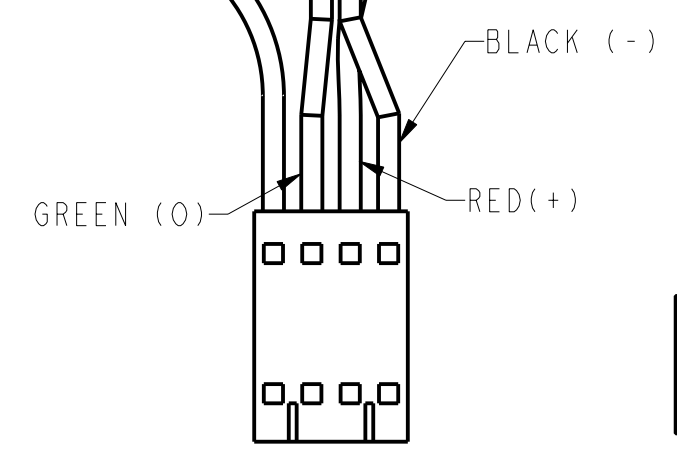
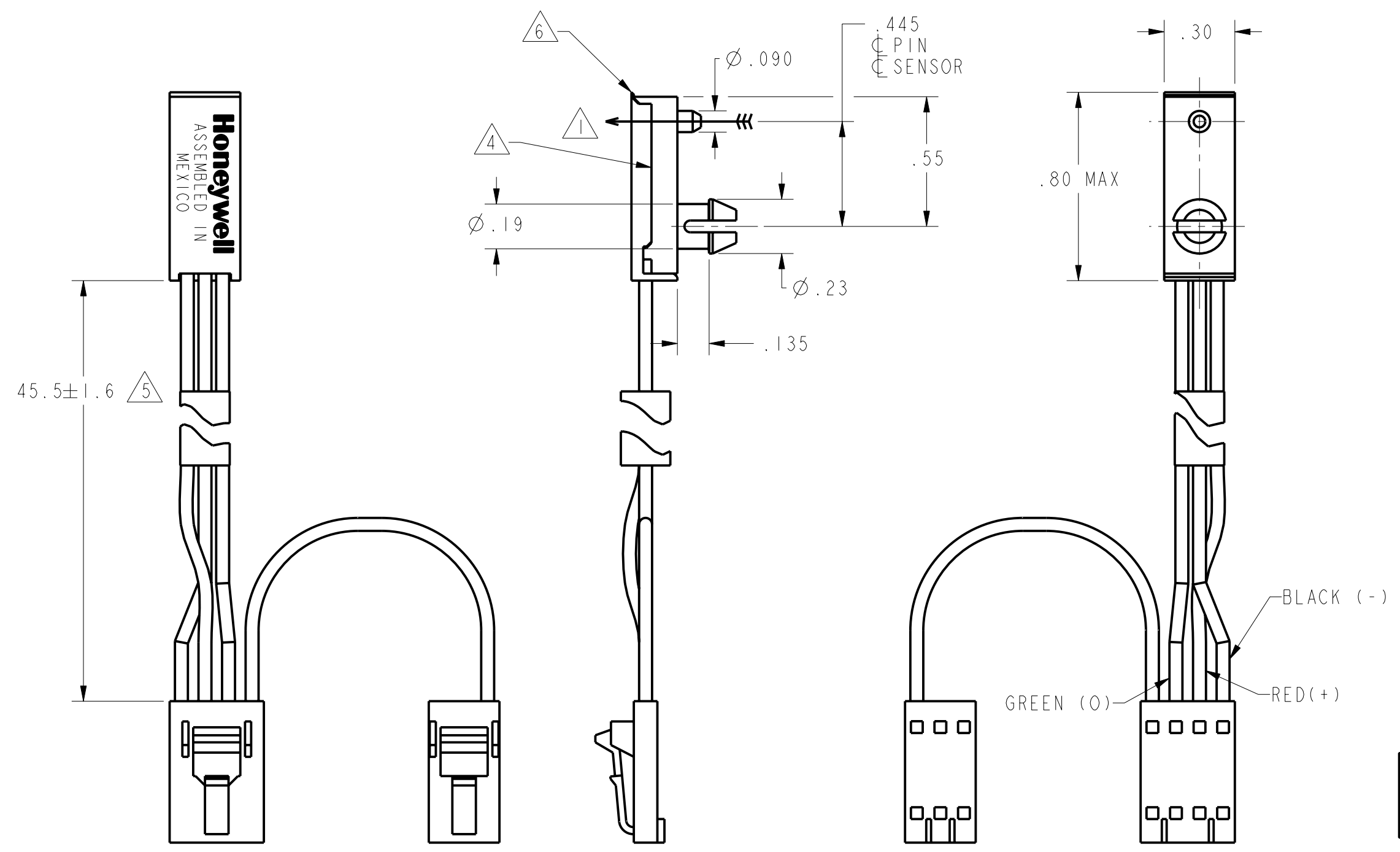
TEMPERATURE RANGE	25°C	-20°C TO 85°C
OPERATING GAUSS MAX	180	215
RELEASE GAUSS MIN	75	60
DIFFERENTIAL GAUSS MIN	25	10

**ELECTRICAL CHARACTERISTICS -40 TO 125°C 4.5 TO 24 VDC**

	MINIMUM	MAXIMUM
SUPPLY CURRENT		13 mA
OUTPUT VOLTAGE (ON) (SINKING 10 mA)		0.4 VOLTS
VOLTAGE APPLIED TO OUTPUT (OFF)		24 VOLTS
OUTPUT CURRENT MAX		20 mA
OUTPUT LEAKAGE CURRENT (OFF)		5 μA
OUTPUT SWITCHING TIME		
RISE TIME (10% TO 90%)		1.5 μS
FALL TIME (90% TO 10%)		1.5 μS

**ABSOLUTE MAXIMUM RATINGS** 3

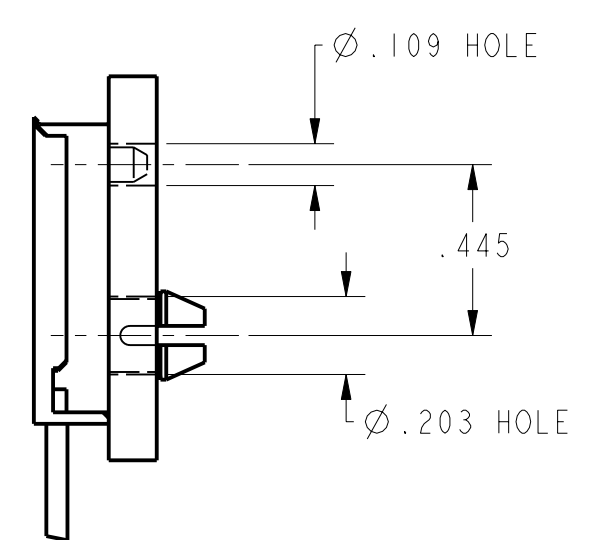
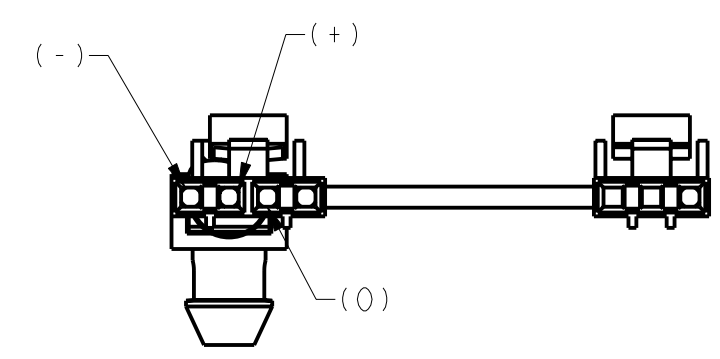
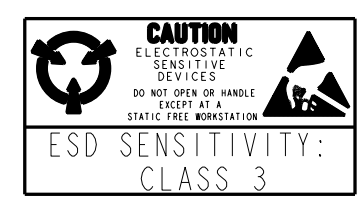
TEMPERATURE	-40°C TO +150°C
SUPPLY VOLTAGE	-1 VDC TO 25 VDC
VOLTAGE EXTERNALLY APPLIED TO OUTPUT	25 VDC WITH SWITCH IN OFF COND. ONLY -0.5 VDC WITH SWITCH IN ON OR OFF COND.
OUTPUT CURRENT	50 mA
MAGNETIC FLUX	NO LIMIT



**BLOCK DIAGRAM CURRENT SINKING OUTPUT**

**NOTES**

- 1 THE MAGNETIC FLUX USED TO OPERATE THE SWITCH MUST BE IN THE DIRECTION AND LOCATION SHOWN (THIS ASSUMES THE CONVENTION THAT THE DIRECTION OF THE EXTERNAL FLUX OF A MAGNET IS FROM THE NORTH TO THE SOUTH POLE OF THE MAGNET)
- 2 THE MAGNETIC FIELD STRENGTH (GAUSS) REQUIRED TO CAUSE THE SWITCH TO CHANGE STATE (OPERATE AND RELEASE) WILL BE AS SPECIFIED IN THE MAGNETIC CHARACTERISTICS. TO TEST THE SWITCH AGAINST THE SPECIFIED MAGNETIC CHARACTERISTICS THE SWITCH MUST BE PLACED IN A UNIFORM MAGNETIC FIELD
- 3 ABSOLUTE MAXIMUM RATINGS ARE NOT GUARANTEED AS THE MAXIMUM LIMITS (ABOVE RECOMMENDED OPERATING CONDITIONS) ARE APPROACHED NOR WILL THE DEVICE NECESSARILY OPERATE AT MAXIMUM RATING
- 4 DATE CODE (YYWW) AND PART NUMBER LOCATED IN THIS AREA
- 5 LEADWIRES ARE 24 GAUGE STRANDED
- 6 AFTER CLOSURE, HINGE BULGING IS ACCEPTABLE, BUT ANY JAGGED TEARING CAUSING LARGE SEPARATIONS GREATER THAN .010 IS UNACCEPTABLE



**SUGGESTED MOUNTING DETAIL**

UNLESS OTHERWISE SPECIFIED TOLERANCES ARE:	<input checked="" type="checkbox"/> US (inch) CUSTOMARY	<input type="checkbox"/> SI (mm) METRIC	DRAWN	LJK	21NOV00	<b>Honeywell</b> Sensing and Control			
NO PLACE	X	±.040 ±1	CHECK	SAV	21NOV00				TITLE <b>SOLID STATE POSITION SENSOR,</b>
ONE PLACE	.X	±.030 ±0,4	THIS DRAWING COVERS A PROPRIETARY ITEM AND IS THE PROPERTY OF HONEYWELL SENSING AND CONTROL. THIS DRAWING IS NOT TO BE COPIED OR USED WITHOUT THE PERMISSION OF HONEYWELL.			SIZE	DWG TYPE	DRAWING NAME	REV
TWO PLACE	.XX	±.015 ±0,15				DIMENSIONS ARE TO BE MET BEFORE PROTECTIVE COATINGS ARE APPLIED			<b>C</b>
THREE PLACE	.XXX	±.005 ±	3D PTC			SCALE	NONE	WEIGHT	SHEET 1 OF 1
ANGLES		±	ASME Y14.5M-1994						
RAW MATERIAL-COMMERCIAL STANDARD		±							