



**MICRO SWITCH**

FREEPORT, ILLINOIS, U.S.A.  
A DIVISION OF HONEYWELL

FED. MFG. CODE 91929

# ACTUATOR-SWITCH

CATALOG LISTING

## JS-116

JS-116

M

DRAWING NUMBER

X2

ISSUE

REPLACES

RELEASE NO.

CHECK

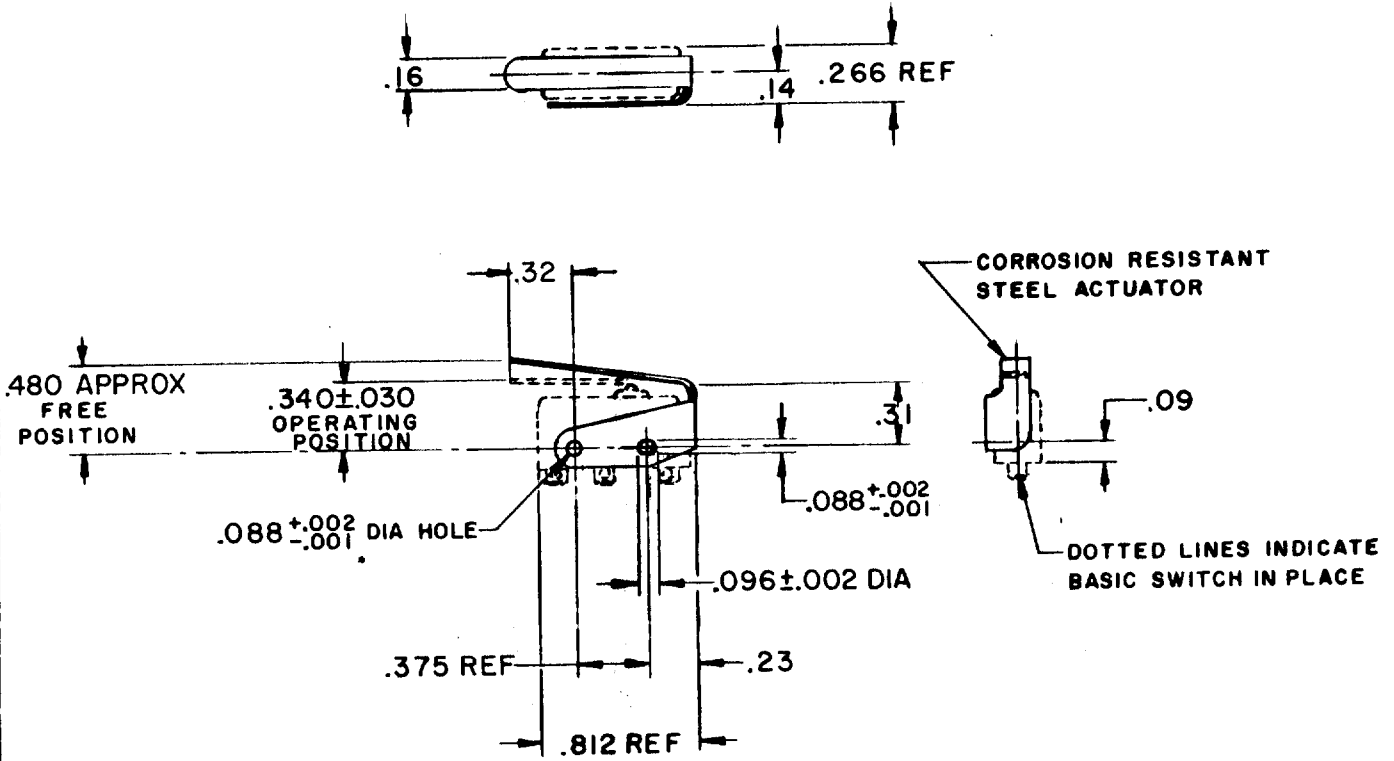
CHECK

CHECK

CHECK

CHECK

CHECK



REVISIONS
A C029487
S R H
13 JAN 72

FO-30378

THIS DRAWING COVERS A PROPRIETARY ITEM AND IS THE PROPERTY OF MICRO SWITCH, A DIVISION OF HONEYWELL. THIS DRAWING IS NOT TO BE COPIED OR USED WITHOUT THE APPROVAL OF MICRO SWITCH.

CHARACTERISTICS WITH ISMJ BASIC SWITCH INSTALLED	ELECTRICAL DATA	SCALE FULL
OPERATING FORCE----- 7 OZ MAX	CONTACT ARRANGEMENT	DO NOT SCALE PRINT
RELEASE FORCE----- 2 OZ MIN		UNLESS OTHERWISE NOTED
PRETRAVEL----- .218 MAX		DIMENSIONS ARE IN INCHES
DIFFERENTIAL TRAVEL----- .020 MAX		<b>TOLERANCES ARE:</b>
OVERTRAVEL----- .030 MIN		ONE PLACE (.0) ±.030
		TWO PLACE (.00) ±.015
		THREE PLACE (.000) ±.005
		ANGLES ±
		WEIGHT

DRAWN

R L D

MAY 66

L S D

MAY '66

MAY '66

CHECK

CHECK

CHECK

CHECK

CHECK