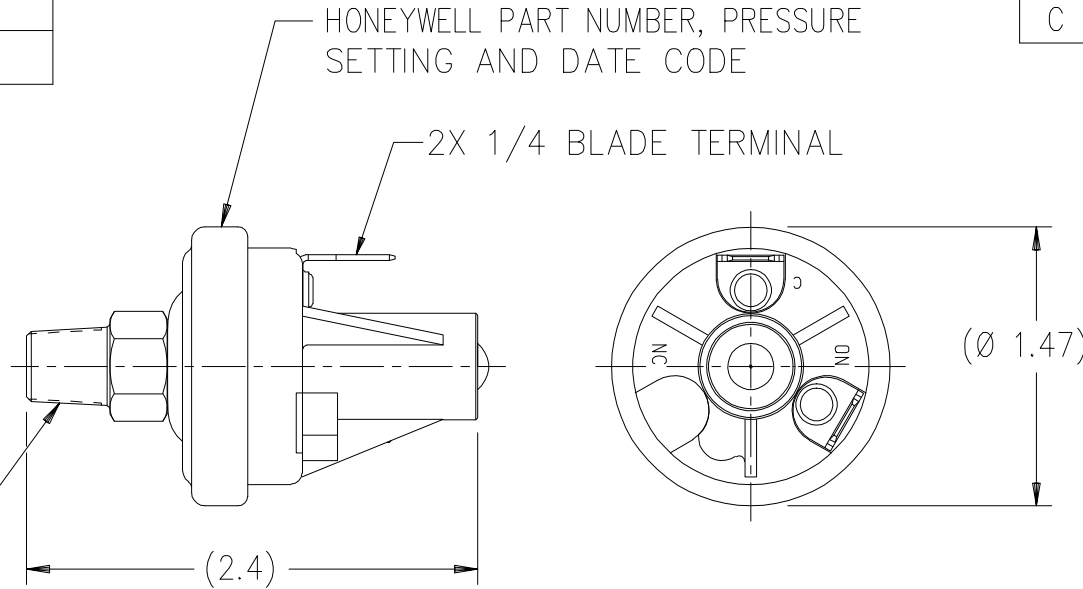


HONEYWELL PART NUMBER
78629

REV	DOCUMENT	CHANGED BY	CHECK
C	0068756	SBH 08SEP10	CMH



1. SINGLE CIRCUIT NORMALLY OPEN PRESSURE SWITCH.
2. CLOSING ADJUSTMENT RANGE .5 - 1 PSI.
3. SWITCH IS FURNISHED WITH STEEL BASE ASSY. (.500 HEX) AS A STANDARD UNLESS BRASS BASE ASSY. (.437 HEX) IS SPECIFIED AS AN OPTION BY CUSTOMER ADDING SUFFIX "B" TO THE HONEYWELL PART NUMBER ON THE PURCHASE ORDER, e.g. XXXXXB.
4. DIMENSIONS ARE FOR REFERENCE ONLY UNLESS OTHERWISE SPECIFIED.

CUSTOMER: _____
 APPROVED BY: _____
 DATE: _____
 CUSTOMER
 PART NO.: _____

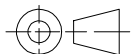
CUSTOMER PRINT

DESIGN UNITS: INCH

TOLERANCES UNLESS NOTED:

NO PLACES	X	±	-
ONE PLACE	.X	±	.020
TWO PLACE	.XX	±	.010
THREE PLACE	.XXX	±	.005
ANGLES	X	±	0°-30'

THIRD ANGLE PROJECTION



DRAWN D MCGEE 24OCT01

CHECK - -

THIS DRAWING COVERS A PROPRIETARY ITEM AND IS THE PROPERTY OF HONEYWELL. THIS DRAWING IS NOT TO BE COPIED OR USED WITHOUT THE PERMISSION OF HONEYWELL.

INTERPRET PER ASME Y14.5M-1994 OTHER HONEYWELL ENGINEERING STANDARDS MAY APPLY

AUTOCAD 2D

Honeywell

TITLE PRESSURE SWITCH N.O. BLADE TERMINALS 5000 SERIES SWITCH

SIZE	TYPE	CAGE CODE	DRAWING NAME	REV
A	I	-	78629	C

SCALE NONE SHEET 1 OF 1