

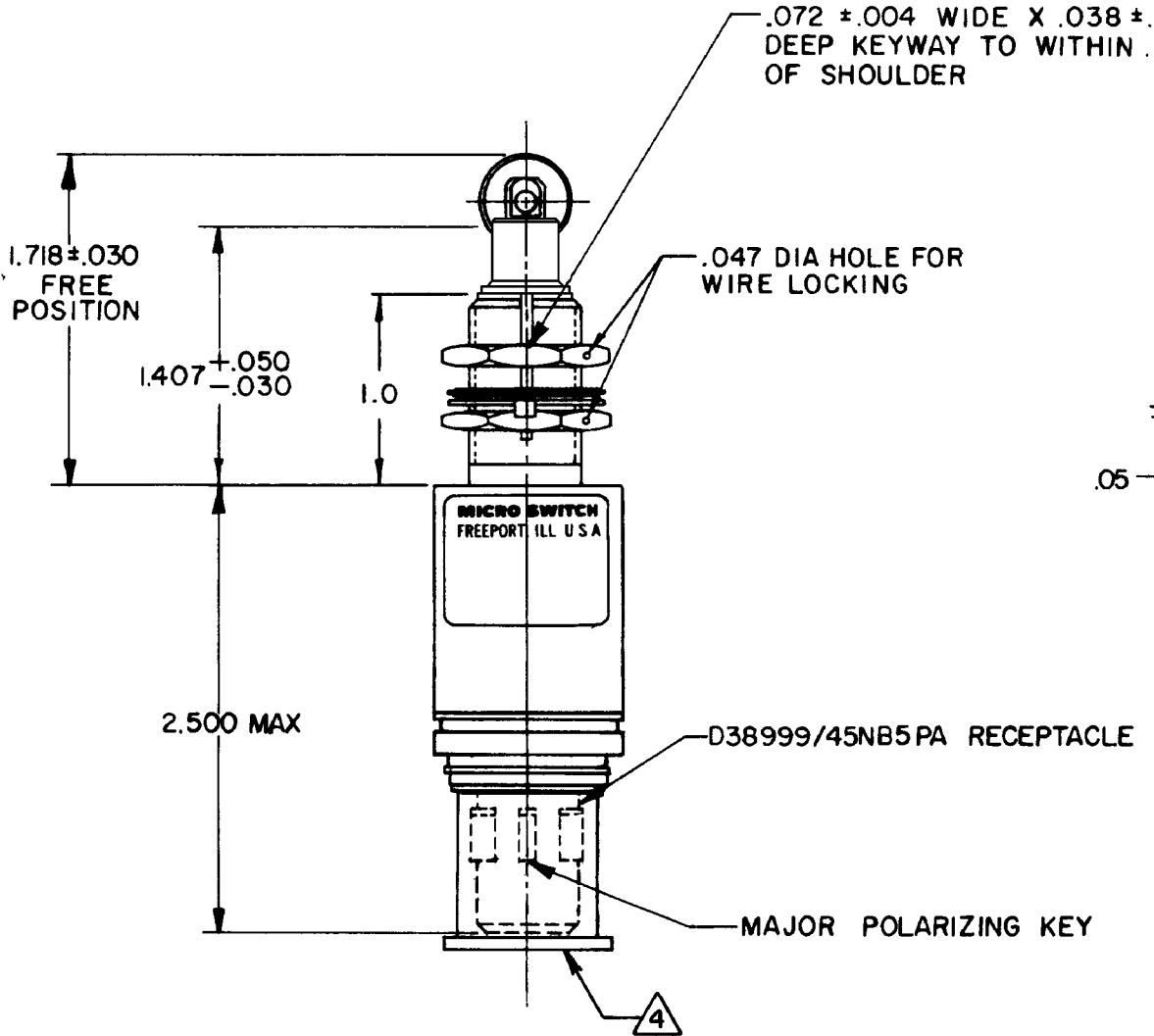
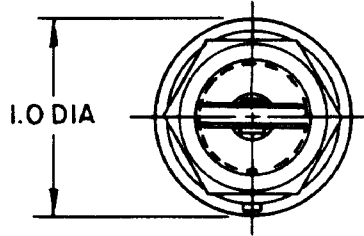
MICRO SWITCH

FREEPORT ILLINOIS U S A
A DIVISION OF HONEYWELL

FED MFG. CODE 91929

SWITCH - ENCLOSED

CATALOG LISTING
424EN31-RB1



424EN31-RB1
 PAGE 1 OF 1
M
 DRAWING NUMBER
10
 ISSUE

REVISIONS
 A CO 53362
 T M M
 24 JUN 83
 B CO53655
 J A P
 14 SEPT 85
 C CO 54289
 TSK
 6 DEC 83
 D CO59234
 T A D
 27 MAR 86
 E CO74101
 DAW
 8 FEB 93
 F CO77148
 DAW
 13 JAN 94
 G CO-77504-C
 DLT
 27 JUL 94
 H CO81941
 TSM
 14 NOV 95
 J CO94855
 TSM
 29 MAR 99

RELEASE NO. PR11238-T
 REPLACES
 CHECK
 31 AUG 82
 DAN
 CHECK
 27 MAR 86
 CHECK
 1 SEPT 82
 CEB
 CHECK
 6 AUG 82

FORMTEK
 FO-52851-B
 DRAWN
 GJW

THIS DRAWING COVERS A PROPRIETARY ITEM AND IS THE PROPERTY OF MICRO SWITCH. A DIVISION OF HONEYWELL THIS DRAWING IS NOT TO BE COPIED OR USED WITHOUT THE APPROVAL OF MICRO SWITCH

CHARACTERISTICS		ELECTRICAL DATA	
OPERATING FORCE	6-12 LB	CONTACT ARRANGEMENT	
FULL OVERTRAVEL FORCE	30 LB MAX	S P D T (2)	
RELEASE FORCE	4 LB MIN	28 VDC	
PRETRAVEL	.040 MAX	LOAD	SEA LEVEL
DIFFERENTIAL TRAVEL	.020 MAX	RES	50,000 FT.
OVERTRAVEL	.250 MIN	IND	.5

SCALE FULL

DO NOT SCALE PRIOR

TOLERANCES
APPLY TO DESIGN UNITS CONVERSIONS ARE
REFERENCE UNLESS NOTED TOLERANCES

	DIM	TOL	DIM
	IN	mm/in	IN
NO PLACES	X	1/64	X
ONE PLACE	X,X	0.4/0.18	X,X
TWO PLACES	X,X,X	0.15/0.05	X,X,X
THREE PLACES	X,X,X,X		X,X,X,X

DESIGN UNITS SI METRIC U.S. CUSTOMARY

THIRD ANGLE PROJECT

WEIGHT 7.0 OZ MAX