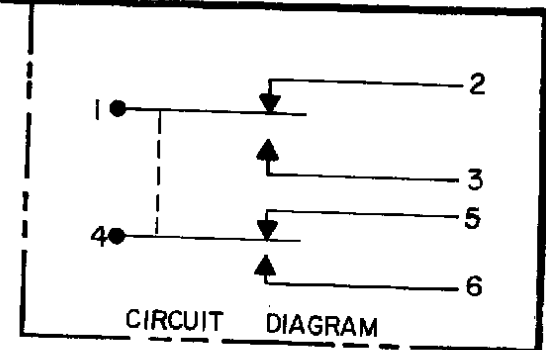


MICRO SWITCH
 FREEPORT ILLINOIS U.S.A.
 A DIVISION OF HONEYWELL
 FED. MFG. CODE 91929

SWITCH - ENCLOSED

CATALOG LISTING
402 EN1-12



402 EN1-12

M

DRAWING NUMBER

ISSUE

11

REPLACES

RELEASE NO. SR-11614

CHECK

26 JUL 05

RJ

CHECK

25 SEP 79

CHECK

CEB

CHECK

15 SEP 79

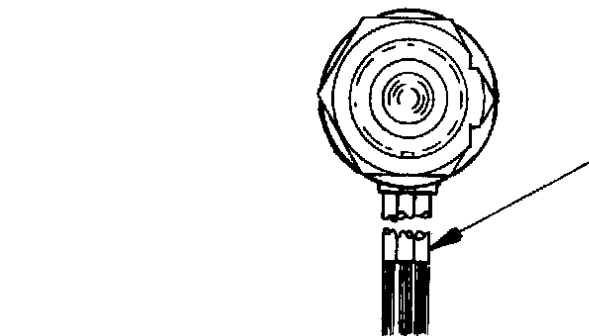
DRAWN

GJW

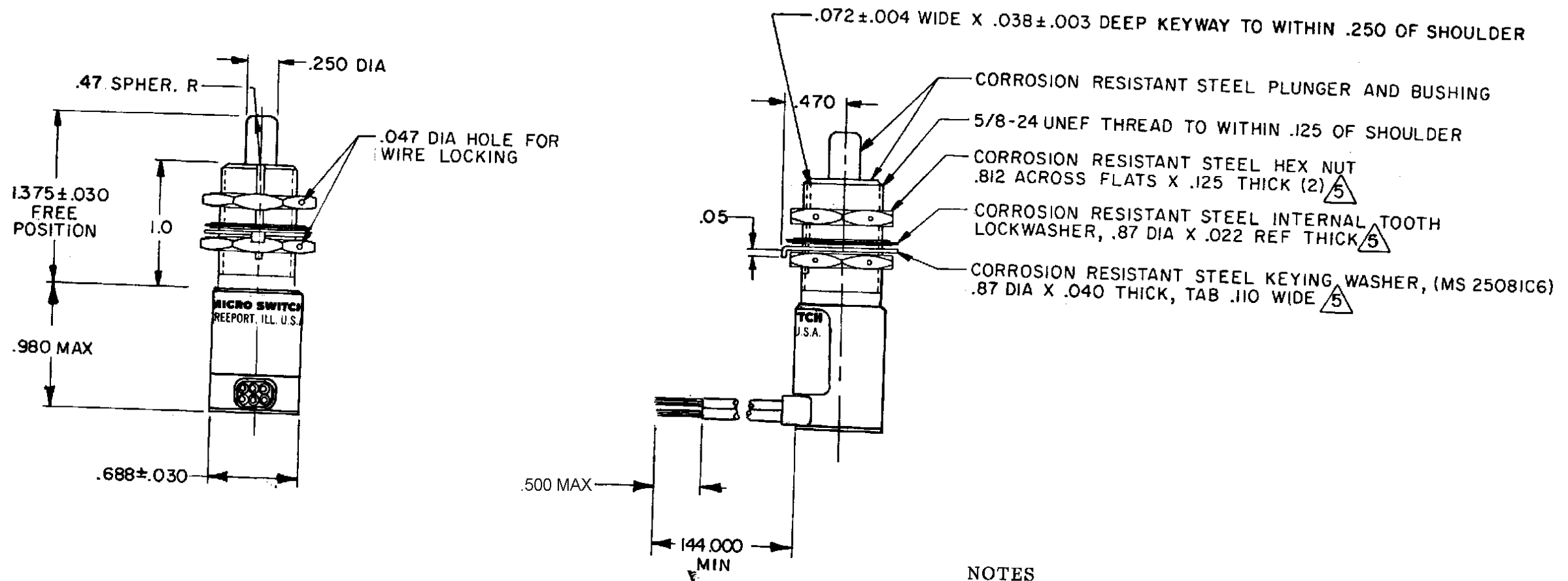
REVISIONS

A	CO44351	GJW	15 SEP 79
B	CO47573	JAP	7 AUG 80
C	CO 57370	MAM	14 MAY 85
D	0014658	NM	26 JUL 05

FO-52851-A

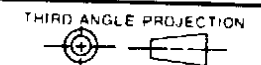


(6) NO. 20 WIRE LEAD PER MIL-W-22759/7 MARKED WITH CIRCUIT IDENTIFICATION AND WIRE GAGE (1-20, 2-20, ETC) PER MIL-W-5088



- NOTES
- 1 - CORROSION RESISTANT STEEL ENCLOSURE
 - 2 - SWITCH SEALED PER MIL-PRF-8805 SYMBOL 4
 - 3 - CIRCUIT DIAGRAM AND CATALOG LISTING ARE SHOWN ON NAMEPLATE
 - 4 - COINCIDENCE OF OPERATING AND RELEASING POINTS: .010 OF PLUNGER TRAVEL
 - 5 - HARDWARE MAY BE PACKAGED UNASSEMBLED PER MIL-PRF-8805

THIS DRAWING COVERS A PROPRIETARY ITEM AND IS THE PROPERTY OF MICRO SWITCH, A DIVISION OF HONEYWELL. THIS DRAWING IS NOT TO BE COPIED OR USED WITHOUT THE APPROVAL OF MICRO SWITCH.



SCALE FULL	
DO NOT SCALE PRINT	
TOLERANCES	
APPLY TO DESIGN UNITS. CONVERSIONS ARE ONLY FOR REFERENCE. UNLESS NOTED, TOLERANCES ARE:	
NO PLACES	1/04
ONE PLACE	0.01/016
TWO PLACES	0.001/008
THREE PLACES	0.0001/005
ANGLES	
DESIGN UNITS	SI METRIC <input type="checkbox"/> US CUSTOMARY <input checked="" type="checkbox"/>
MATERIAL - COMMERCIAL STANDARD	
MOTOR SWITCH STANDARDS APPLY	
DIMENSIONS ARE TO BE MET BEFORE PROTECTIVE COATINGS ARE APPLIED	
WEIGHT	12 OZ. MAX

CHARACTERISTICS	
OPERATING FORCE	6 - 12 LB
FULL OVERTRAVEL FORCE	30 LB MAX
RELEASE FORCE	4 LB MIN
PRETRAVEL	.040 MAX
DIFFERENTIAL TRAVEL	.020 MAX
OVERTRAVEL	.250 MIN

ELECTRICAL DATA		
CONTACT ARRANGEMENT		
SPDT (2)		
LOAD		
	28 VDC	
	SEA LEVEL	50,000 FT.
RES	7	7
IND	4	2.5
MOTOR	4	
LAMP		