

MICRO SWITCH
FREEPORT, ILLINOIS, U.S.A.
A DIVISION OF HONEYWELL
FED. MFG. CODE 9199

PACKET

CATALOG LISTING
3PA10

M

3PA10

M

DRAWING
NUMBER

ISSUE
3

REPLACES

RELEASE NO. PR - 9865

REVISIONS

A	CO-54958-J	KAG	MAR 85
B	73014	G J W	AUG 92

CHECK

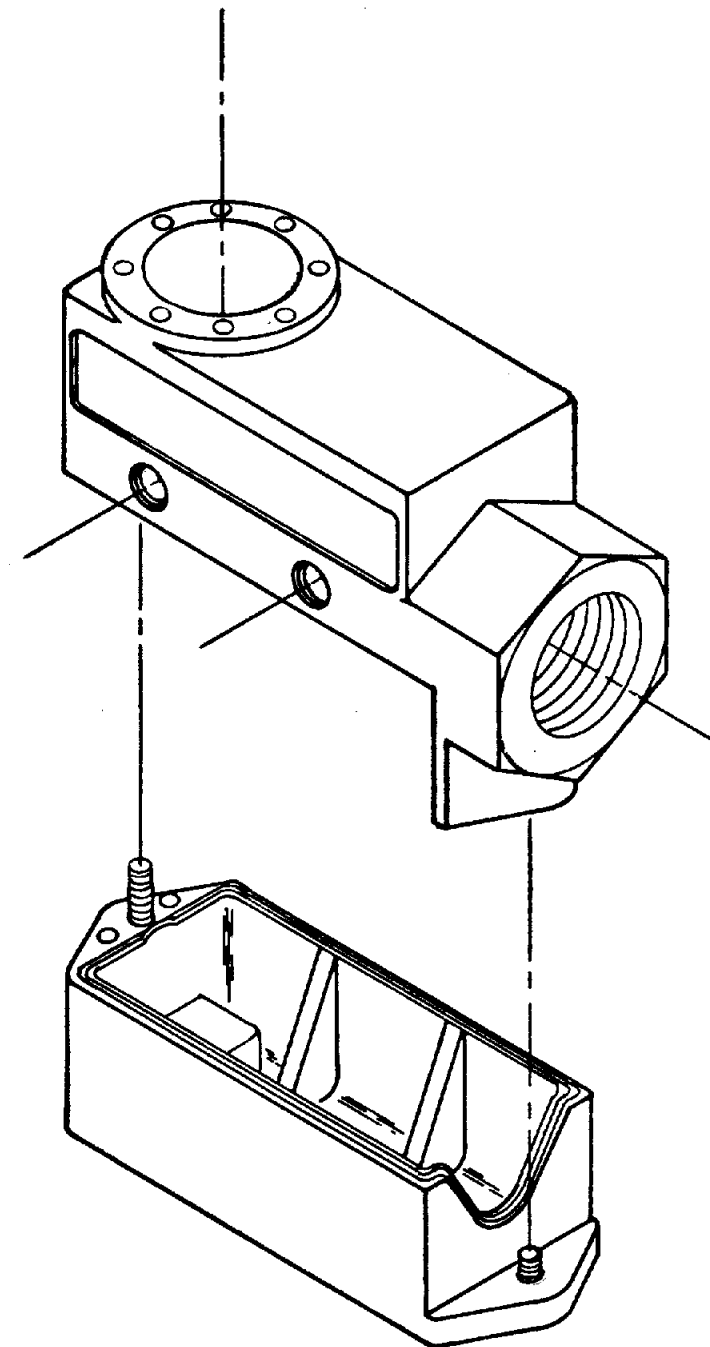
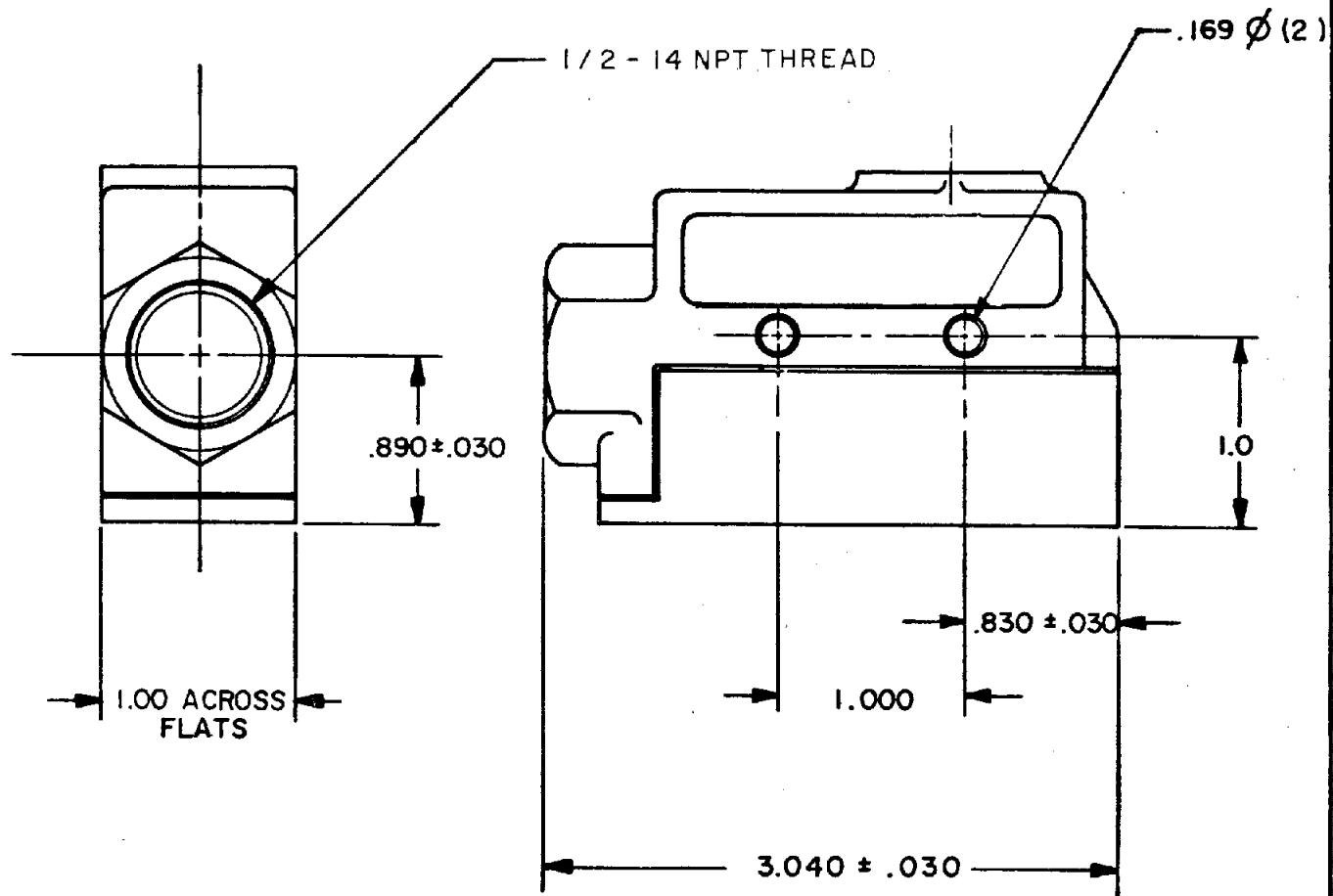
CHECK

CHECK

FO-52854-C

DRAWN

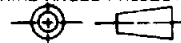
G J W 6 MAR 81



NOTES

- 1 - PARTS SUPPLIED UNASSEMBLED AS A PACKET
- 2 - ZINC ENCLOSURE FINISHED WITH GRAY PAINT

THIRD ANGLE PROJECTION



SCALE FULL

DO NOT SCALE PRINT

TOLERANCES

APPLY TO DESIGN UNITS. CONVERSIONS ARE ONLY FOR REFERENCE. UNLESS NOTED, TOLERANCES ARE ±

DIM.	TOL.	DIM.	TOL.
mm	mm/in	in	mm/in
NO PLACES	X	17.04	
ONE PLACE	X, X.	0.4/0.16	X, X
TWO PLACES	X, X.	0.15/0.006	X, X.
THREE PLACES	X, X.	0.13/0.005	X, X.
ANGLES			

DESIGN UNITS METRIC US CUSTOMARY

WEIGHT