

CATALOG LISTING 2NT1 SERIES CHART 1

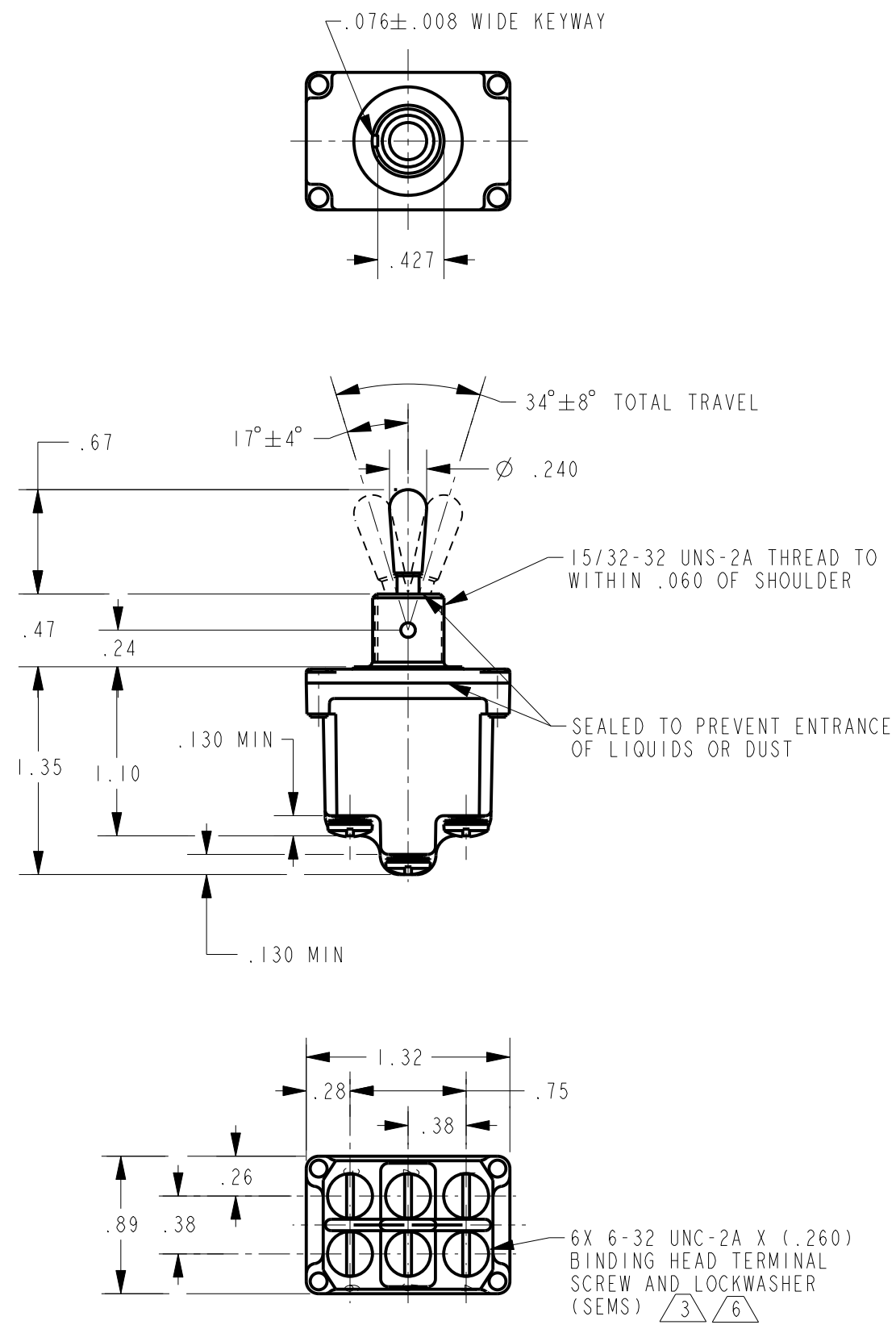
PAGE 1 OF 1

ISSUE 11

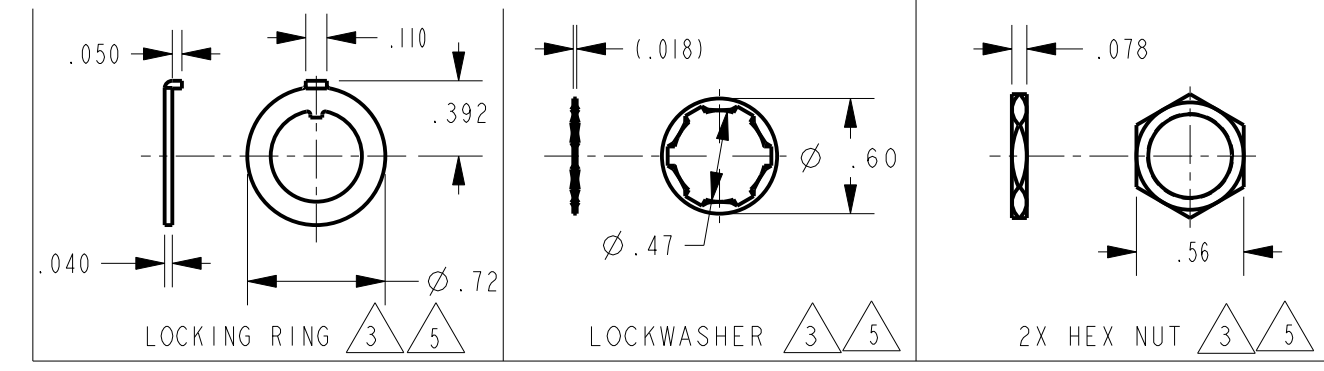
REVISIONS	DATE	BY	CHK
A	C095305	TSM	10NOV99
B	CO-94328	S A V	22 NOV 99
C	207607	L J B	7 MAR 03
D	207782	C S L	27 MAR 03
E	0000189	C S L	28 APR 03
F	0006540	KR	12 JUL 04
G	0009175	AS	08NOV04

DRAWN TSM 10NOV99

REPLACES - RELEASE NO. PR-19402 CHECK AK 08NOV04



CATALOG LISTING	CIRCUIT MADE WITH TOGGLE LEVER IN $\triangle 4$			ELECTRICAL DATA
	KEYWAY SIDE (1-2, 4-5)	CENTER (1-2, 4-5)	OPPOSITE KEYWAY (2-3, 5-6)	
2NT1-1	ON	OFF	ON	L191 15A 125, <u>250</u> , 277 VAC 1/2HP 125 VAC 1HP <u>250</u> , 277 VAC 5A 125 VAC "L"
2NT1-2	OFF	NONE	ON	
2NT1-3	ON	NONE	ON	
2NT1-21	NONE	OFF	ON	
2NT1-31	NONE	ON	ON	
2NT1-4	MOM OFF	NONE	ON	L192 10A 125, <u>250</u> , 277 VAC 1/4HP 125 VAC, 1/2HP <u>250</u> , 277 VAC 3A 125 VAC "L"
2NT1-5	MOM ON	OFF	ON	
2NT1-6	MOM ON	NONE	OFF	
2NT1-7	MOM ON	OFF	MOM ON	
2NT1-8	MOM ON	NONE	ON	
2NT1-51	NONE	ON	MOM ON	
2NT1-61	MOM ON	OFF	NONE	



- NOTES**
- SWITCHES ARE CAPABLE OF WITHSTANDING A TEMPERATURE OF 160°F CONTINUOUSLY AT FULL RATED LOAD
 - MICRO SWITCH CAT. LIST. MARKED ON SIDE OF SWITCH FURNISHED UNASSEMBLED
 - APPLIES ONLY TO "ON" AND "MOMENTARY ON" POSITIONS
 - "NH" SUFFIX MUST BE ADDED TO SPECIFY NO HARDWARE (EX 2NT1-1-NH)
 - "COMB" SUFFIX MUST BE ADDED TO SPECIFY 6-32 UNC-2A X (.260) COMBINATION DRIVE STYLE BINDING HEAD TERMINAL SCREW AND LOCKWASHER (SEMS) (EX 2NT1-7-COMB)

THIRD ANGLE PROJECTION	
SCALE	FULL
DO NOT SCALE PRINT	
UNLESS OTHERWISE SPECIFIED TOLERANCES ARE	
ONE PLACE	(.0) ±.030
TWO PLACE	(.00) ±.015
THREE PLACE	(.000) ±.005
ANGLES	±
WEIGHT	.12 LBS APPROX