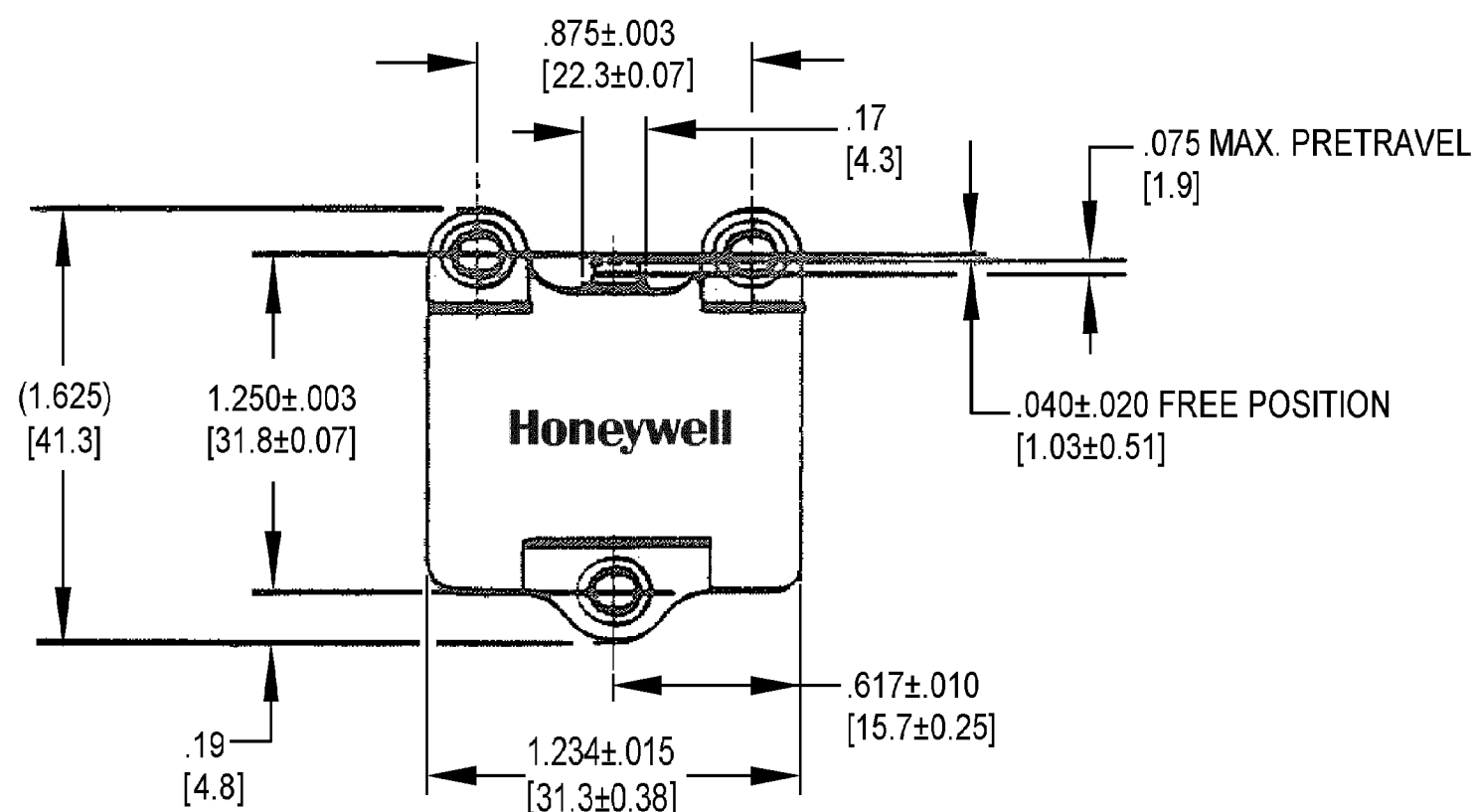
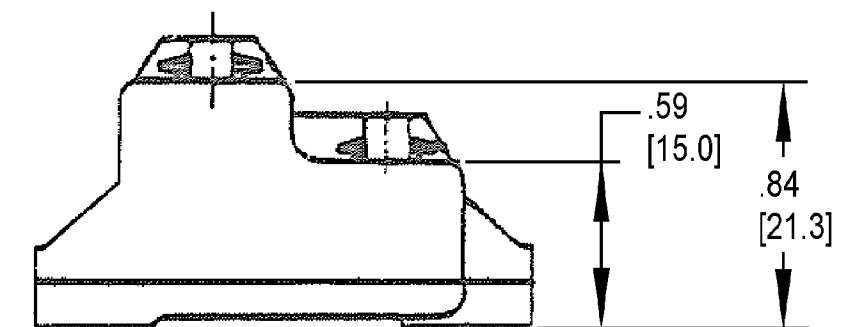
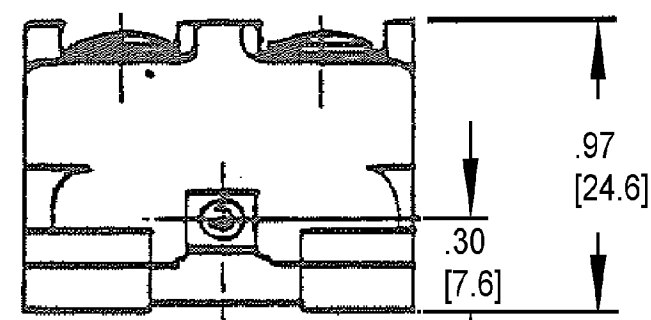
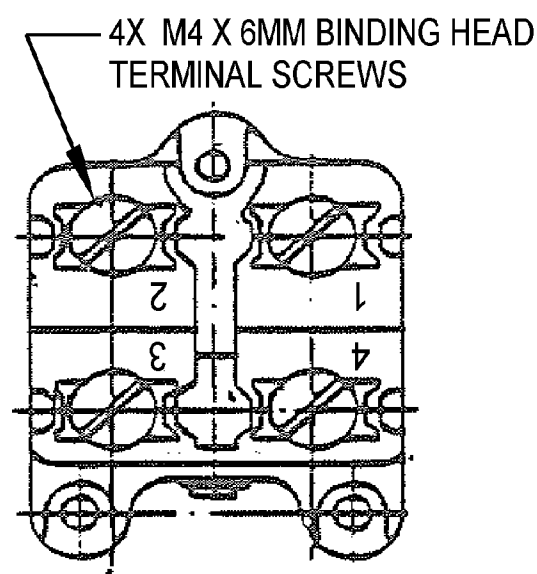
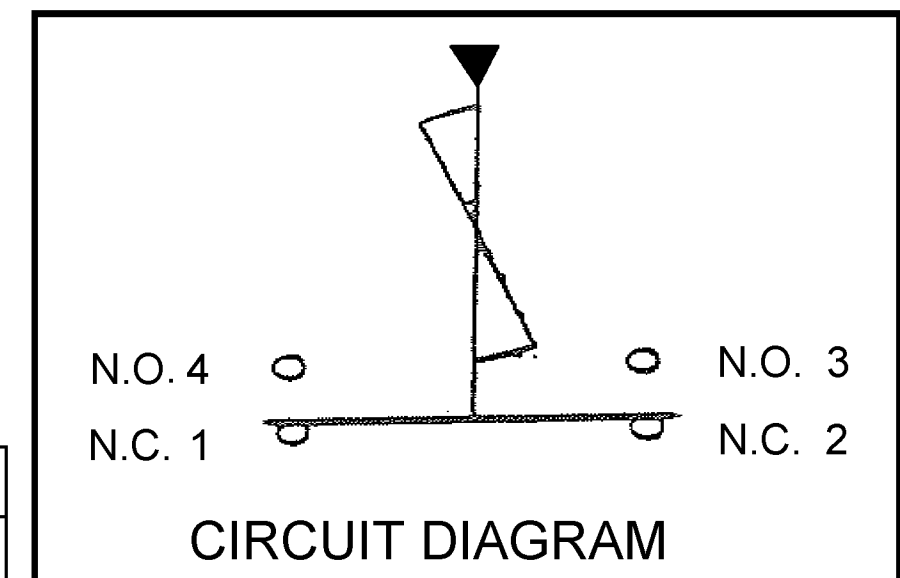


HONEYWELL PART NUMBER 2MN24-N5
PRODUCT CODE: ANZ8446
NEWHOUSE P/N: NG11890

REV	DOCUMENT	CHANGED BY	CHECK
2	0062830	PRS 26MAR10	CMH



- NOTE:
1. MOUNTING HOLES WILL ACCEPT No. 4 SCREWS ON $.875 \pm .003$ AND $1.250 \pm .003$ CENTERS $[22.3 \pm 0.07]$
 2. GOLD PLATED CONTACTS.



CHARACTERISTICS		ELECTRICAL DATA	
OPERATING FORCE:	24 OZ MAX. (0.680 Kgf)	CONTACT ARRANGEMENT SEE CIRCUIT DIAGRAM	
RELEASE FORCE:	10 OZ MIN. (0.283 Kgf)	0.1A 60 VAC 0.1A 60 VDC	
DIFFERENTIAL TRAVEL:	.011 - .018 (0.28 - 0.45)		
OVERTRAVEL:	.017 / (0.43) MIN.		
RELEASE TRAVEL:	.022 / (0.56) MIN.		

RELEASE NUMBER
MS-10640

DESIGN UNITS: INCH [MM]	DRAWN	PRS	26MAR10	Honeywell				
TOLERANCES UNLESS NOTED:	CHECK	HME	26MAR10					
NO PLACES X ± -	THIS DRAWING COVERS A PROPRIETARY ITEM AND IS THE PROPERTY OF HONEYWELL. THIS DRAWING IS NOT TO BE COPIED OR USED WITHOUT THE PERMISSION OF HONEYWELL.			TITLE				
ONE PLACE .X ± .030	INTERPRET PER ASME Y14.5M-1994 OTHER HONEYWELL ENGINEERING STANDARDS MAY APPLY			SWITCH - BASIC				
TWO PLACE .XX ± .015	RASTER			SIZE	TYPE	CAGE CODE	DRAWING NAME	REV
THREE PLACE .XXX ± .005				C	I	-	2MN24-N5	2
ANGLES X ± -				SCALE	NONE		SHEET	1 OF 1
THIRD ANGLE PROJECTION								