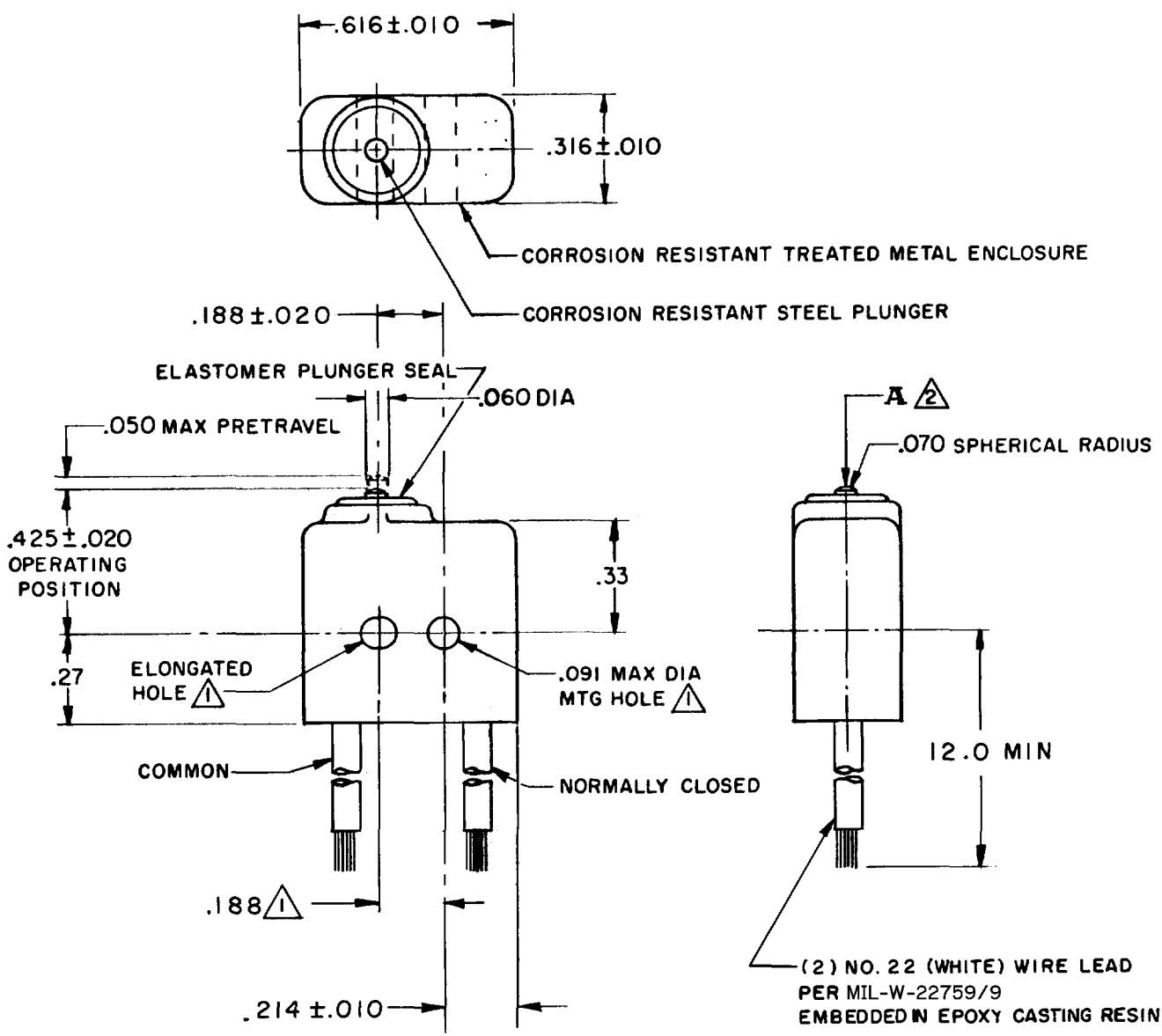


FORMTEK
 FO-50378
 DRAWN
 M B F 21 NOV 62
 CHECK DAW 23 NOV 62
 DRAWING NUMBER
M
 ISSUE
 5
 84
 RELEASE NO.
 SR11455
 REPLACES
 SR11455
 PAGE 1 OF 1
IXE18



NOTE -

- 1- MOUNTING HOLES WILL ACCEPT .087 MAX DIA PINS OR SCREWS ON $.188 \pm .002$ CENTERS
- 2- ACTUATION IN LINE WITH ARROW "A" IS RECOMMENDED
- 3- WEIGHT OF SWITCH ONLY IS .16 OZ MAX. WEIGHT OF SWITCH WITH WIRE LEADS IS .55 OZ MAX

THIS DRAWING COVERS A PROPRIETARY ITEM AND IS THE PROPERTY OF MICRO SWITCH, A DIVISION OF MINNEAPOLIS-HONEYWELL REGULATOR CO. THIS DRAWING IS NOT TO BE COPIED OR USED WITHOUT THE APPROVAL OF MICRO SWITCH.

CHARACTERISTICS	ELECTRICAL DATA	SCALE 2 TO 1
OPERATING FORCE - - - - - 5 - 17 OZ	CONTACT ARRANGEMENT S P N C	DO NOT SCALE PRINT
RELEASE FORCE - - - - - 4 OZ MIN	28 VOLTS DC RATING INDUCTIVE - - - - - SEA LEVEL - - - - - 4 AMP 50,000 FT - - - - - 2.5 AMP RESISTIVE - - - - - SEA LEVEL - - - - - 7 AMP 50,000 FT - - - - - 7 AMP MAXIMUM INRUSH - - - - - 24 AMP	UNLESS OTHERWISE SPECIFIED DIMENSIONS ARE IN INCHES TOLERANCES ARE:
RELEASE TRAVEL - - - - - .004 MIN		ONE PLACE (.0) $\pm .030$
DIFFERENTIAL TRAVEL - - - .005 MAX		TWO PLACE (.00) $\pm .015$
OVERTRAVEL - - - - - .004 MIN		THREE PLACE (.000) $\pm .005$
		ANGLES \pm
		WEIGHT \pm