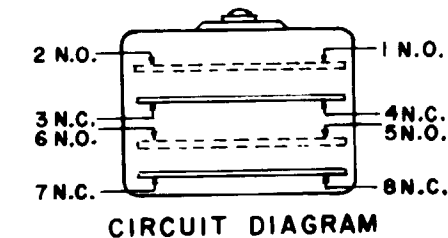


**MICRO SWITCH**

A DIVISION OF MINNEAPOLIS-HONEYWELL REGULATOR COMPANY  
 FREEPORT, MINNESOTA  
 FED. MFR. CODE 91929

**SWITCH - ENCLOSED**

CATALOG LISTING  
**15LS1**



15LS1

M

DRAWING NUMBER

ISSUE

6

3

3

3

3

REVISIONS

A

CO18119

7

LMH JUN 63

B

CO20461

1

RER SEP 65

C

CO24612

15

RER OCT 68

D

CO50952

3

KAG FEB 83

E

CO77031

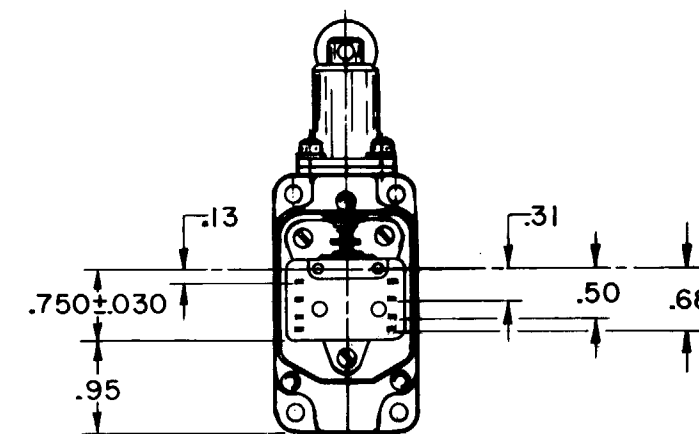
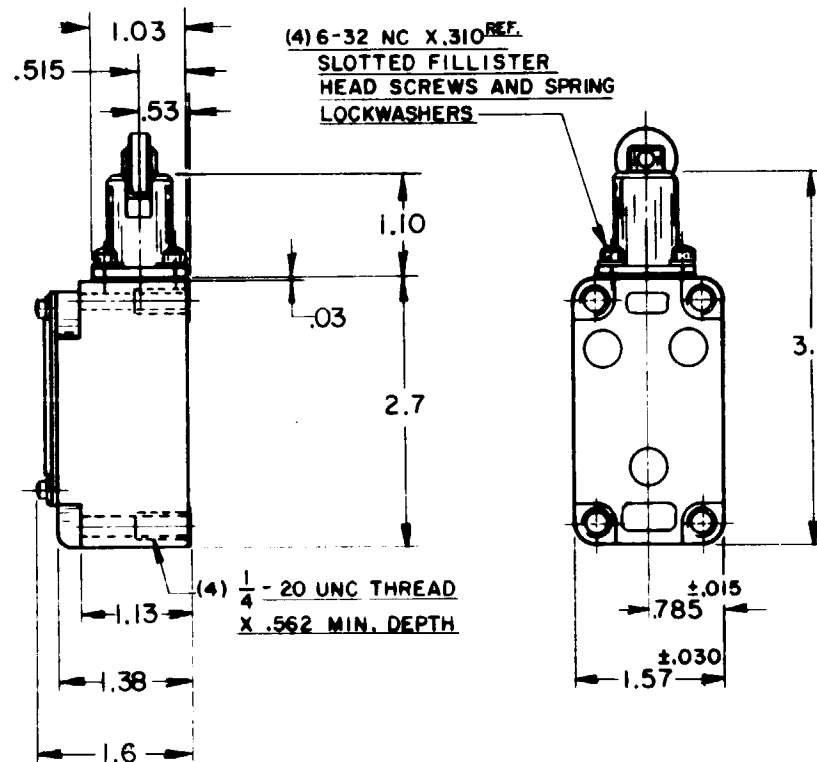
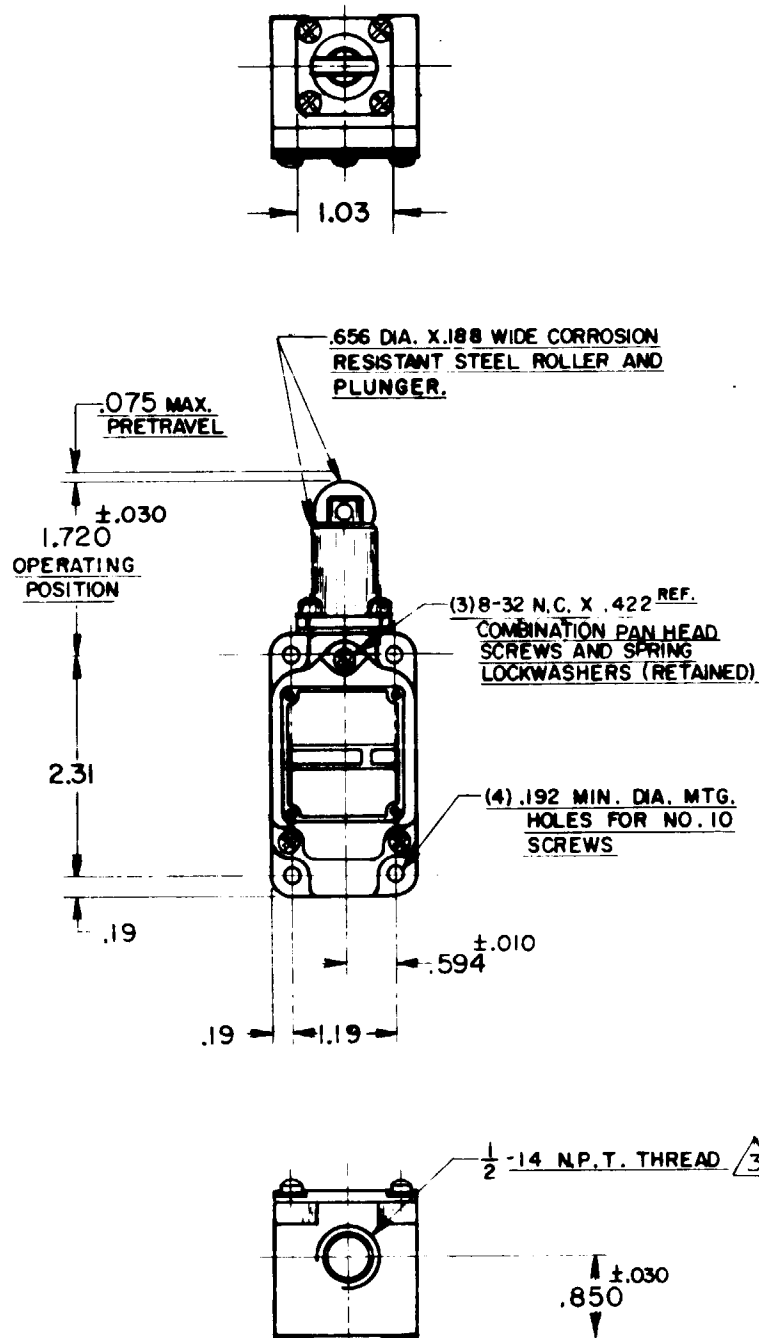
22

JDB DEC 93

FO-80378.003

LMH 23 SEP 60

REPLACES SR 9245  
 CHECK 27 SEP 60  
 CHECK 26 SEP 60  
 CHECK DEC  
 CHECK 28 SEP 60  
 DRAWN



- NOTES:
- 1 - ROLLER ASSEMBLY MAY BE RE-ASSEMBLED 90° FROM POSITION SHOWN
  - 2 - IT IS ESSENTIAL TO PREVENT ENTRANCE OF HARMFUL AGENTS THRU THE CONDUIT OPENING TO OBTAIN THE FULL BENEFIT OF THE SEALED CONSTRUCTION PROVIDED IN THIS UNIT
- 3 - SEAL FURNISHED BY USER

THIS DRAWING COVERS A PROPRIETARY ITEM AND IS THE PROPERTY OF MICRO SWITCH, A DIVISION OF MINNEAPOLIS-HONEYWELL REGULATOR CO. THIS DRAWING IS NOT TO BE COPIED OR USED WITHOUT THE APPROVAL OF MICRO SWITCH.

CHARACTERISTICS	ELECTRICAL DATA	SCALE 1/2 TO 1
OPERATING FORCE --- (C) 7 LB MAX	CONTACT ARRANGEMENT (SEE CIRCUIT DIAGRAM)	DO NOT SCALE PRINT
RELEASE FORCE --- 2 LB MIN		UNLESS OTHERWISE SPECIFIED DIMENSIONS ARE IN INCHES
DIFFERENTIAL TRAVEL --- .045 MAX	(B) 10 A-125 OR 250 VAC	TOLERANCES ARE:
OVERTRAVEL --- .219 MIN	1/2 HP-125 VAC	ONE PLACE (.0) ±.030
RELEASE TRAVEL --- .015 MIN		TWO PLACE (.00) ±.015
		THREE PLACE (.000) ±.008
		ANGLES ±
SWITCH-BASIC REPLACEMENT --- 8AS42	(A)	WEIGHT