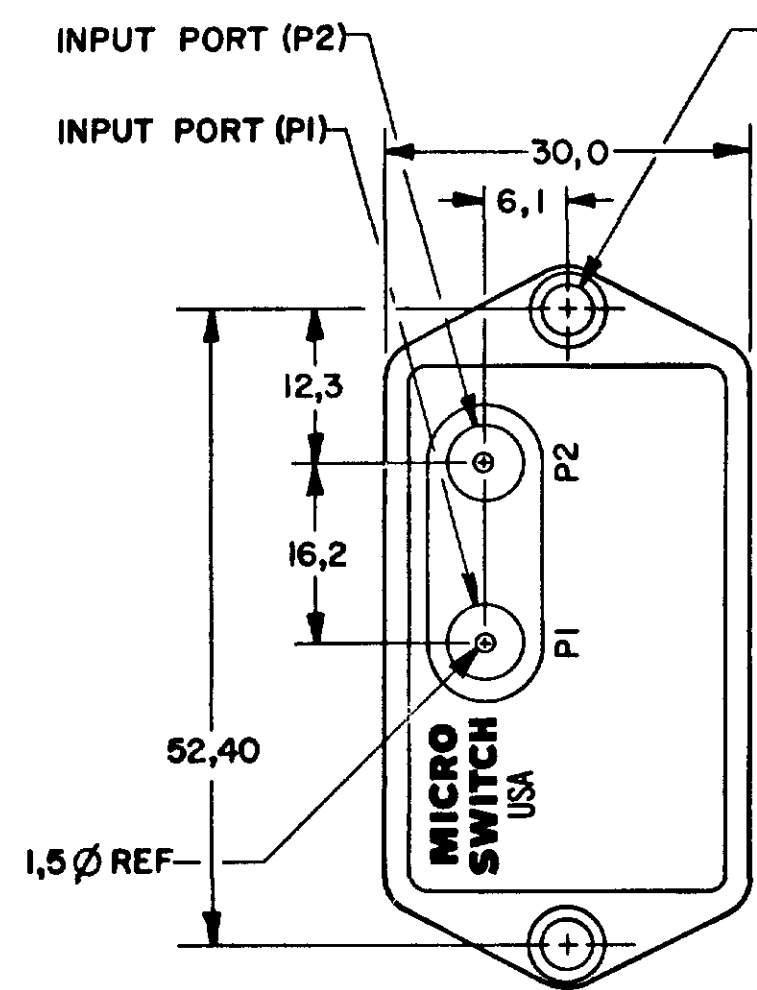


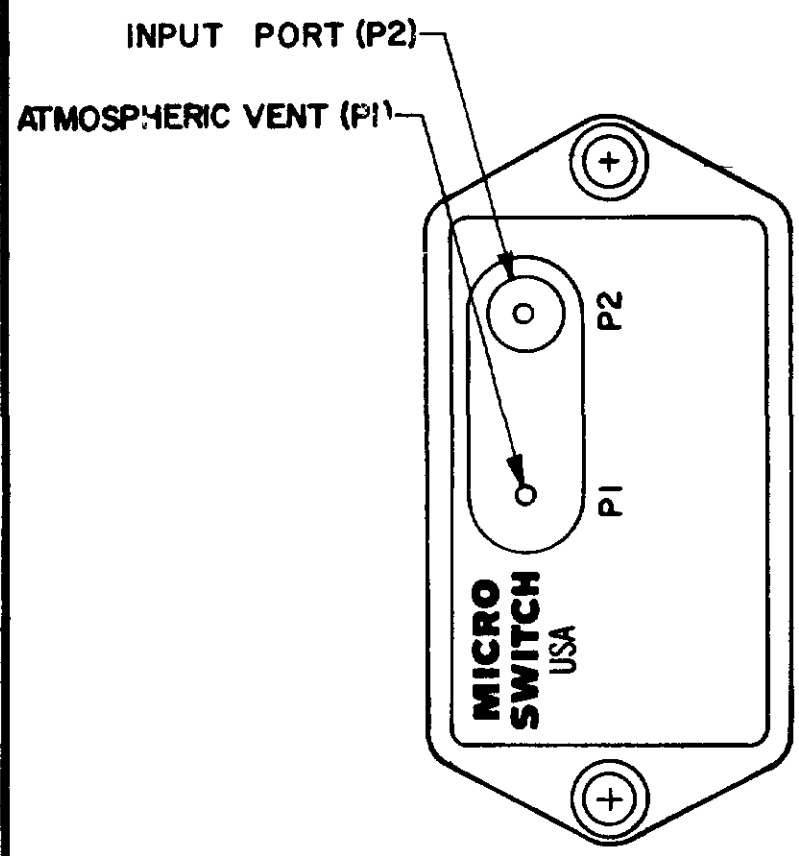
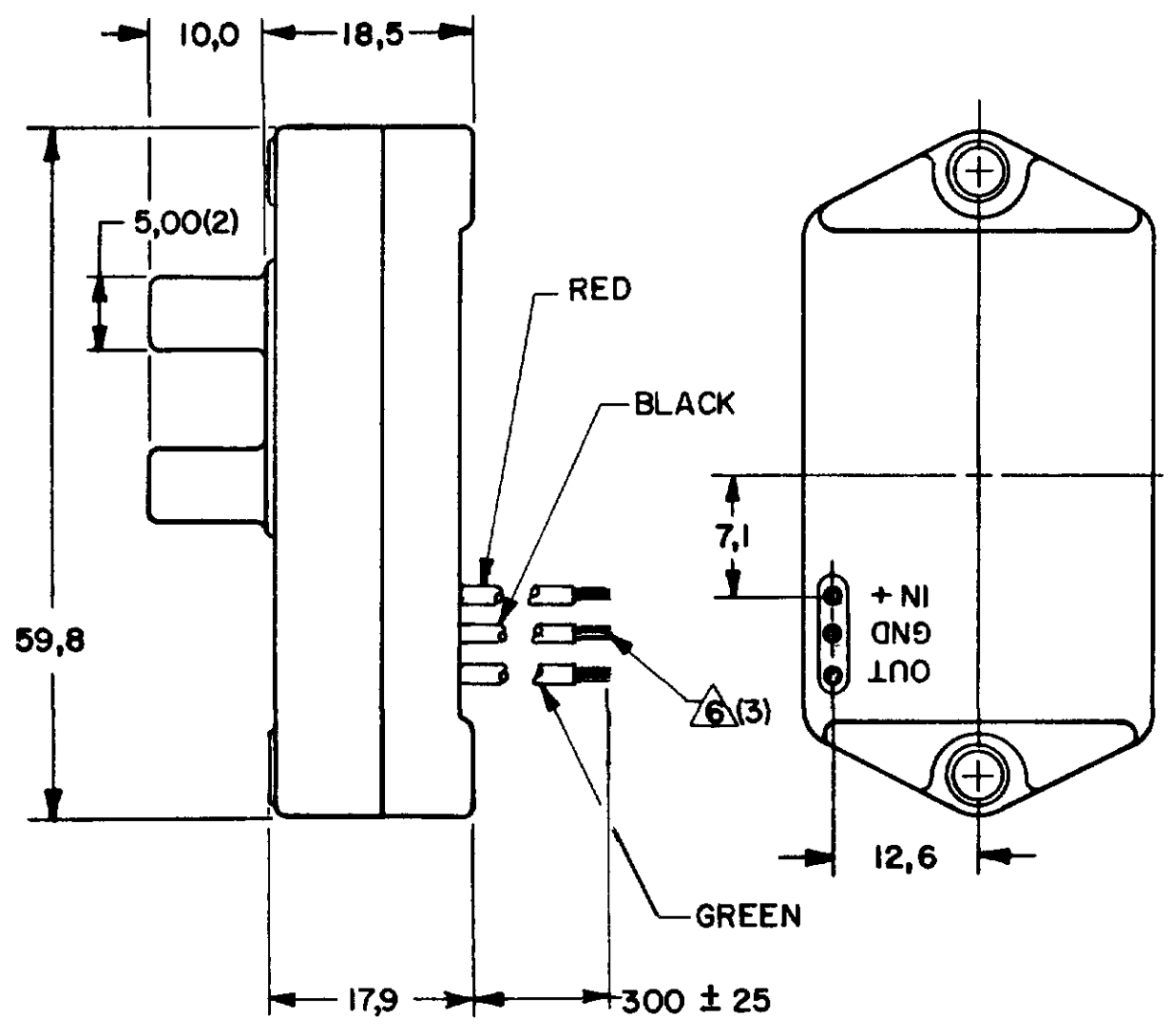
RASTER  
 FO-52803-A  
 DRAWN  
 GJW 28 NOV 79  
 CHECK  
 REVISIONS  
 H 201727  
 JAF NOV 93  
 G 076949  
 19 DEC 90  
 JAS  
 F PRI8840  
 19 JAN 88  
 YLB  
 E CD62854  
 9 APR 84  
 T K V  
 D CD54806  
 13 JAN 84  
 CJH  
 C CD54442  
 7 JUN 83  
 R J H  
 B CD53275  
 28 JAN 82  
 KAG  
 A CD-50816  
 9  
 ISSUE  
 M  
 140PC05 SERIES CHART 2  
 PAGE 1 OF 1  
 RELEASE NO. PR-8274  
 REPLACES

METRIC	INCH
1,5	.04
3,52	.139
5,00	.197
6,1	.240
7,1	.280
10,0	.39
12,3	.484
12,6	.496
16,2	.64
18,5	.73
300±25	11.8±1.0
30,0	1.18
52,40	2.063
59,8	2.35

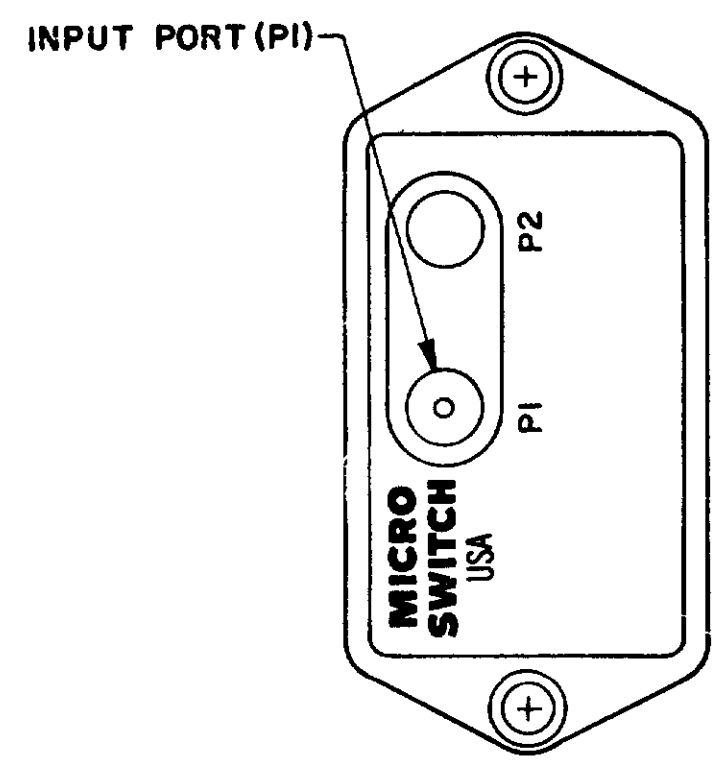
CATALOG LISTING	TYPE	OPERATING PRESSURE RANGE
Ⓜ	D	0 TO -5 PSID
141PC05GW	G	0 TO -5 PSIG
142PC05AW	A	0 TO 5 PSIA
Ⓜ	D	0 TO 5 PSID
Ⓜ	G	0 TO 5 PSIG
142PC05DW79 /7	D	0 TO 5 PSID



**TYPE "D" (DIFFERENTIAL)**



**TYPE "G" (GAGE)**



**TYPE "A" (ABSOLUTE)**

- NOTES**
- INPUT MEDIA:  
 P1 - DRY GASES ONLY, CONNECTION SIDE OF SENSOR  
 P2 - LIMITED ONLY TO THOSE MEDIA THAT WILL NOT ATTACK POLYESTER, SILICON, OR SILICONE BASED ADHESIVE
  - TERMINALS ARE PLATED FOR SOLDERING
  - LIMIT SOLDERING TO 315°C MAX FOR 10 SECONDS MAX
  - UNITS ARE OF PLASTIC CONSTRUCTION
  - F.S.O. IS THE ALGEBRAIC DIFFERENCE BETWEEN THE OUTPUT END POINTS (NULL AND FULL PRESSURE)
  - STRIPPED & TINNED LEAD ENDS TO BE 5.0 MAX
  - NULL DRIFT AS PER ROUTE SHEET

GENERAL OPERATING CHARACTERISTICS	
PRESSURE RANGE	0 TO 259 mm Hg (0 TO 5 PSI)
OVERPRESSURE	1035 mm Hg (20 PSI)
TEMPERATURE RANGES	STORAGE -55 TO +125°C OPERATE -40 TO +85°C COMPENSATED -18 TO +63°C
SUPPLY VOLTAGE	7 TO 16 VDC
SUPPLY CURRENT	20 mA MAX WITH 10K LOAD
OUTPUT VOLTAGE	PROPORTIONAL TO SUPPLY VOLTAGE OVER ABOVE RECOMMENDED RANGE
SHORT CIRCUIT LIMIT	MAY BE SHORTED INDEFINITELY
OUTPUT RIPPLE	NONE
GROUND REFERENCE	SUPPLY AND OUTPUT ARE COMMON

ELECTRICAL PERFORMANCE AT 25°C AND 8.00 ± 0.01 VDC SUPPLY	
OUTPUT VOLTAGE	
141PC05DW OR GW	
NULL (0 PSIG)	1.00 ± 0.05 VDC
FULL SCALE (5 PSIG [259 mmHg])	6.00 ± 0.10 VDC (P2 < P1)
F.S.O. Ⓜ	5.00 ± 0.05 VDC (P2 < P1)
142PC05AW	
NULL (0 PSIA)	1.00 ± 0.05 VDC
FULL SCALE (5 PSIA [259 mmHg])	6.00 ± 0.10 VDC (P2 < P1)
F.S.O. Ⓜ	5.00 ± 0.05 VDC (P2 < P1)
142PC05D W OR G	
NULL (0 PSIG)	1.00 ± 0.05 VDC
FULL SCALE (5 PSIG [259 mmHg])	6.00 ± 0.10 VDC (P2 > P1)
F.S.O. Ⓜ	5.00 ± 0.05 VDC (P2 > P1)
SENSITIVITY	19.33 mV/mmHg (1.0V/PSI)
LINEARITY (% F.S.O.) Ⓜ (BFSL)	± 0.75 MAX (P2 < P1) ± 1.50 MAX (P2 > P1)
HYSTERESIS & REPEATABILITY (% F.S.O.) Ⓜ	± 0.25 TYP
TEMPERATURE ERROR (% F.S.O.) Ⓜ	
5° < 25° > 45°C	± 0.5 TYP
-18° < 25° > 63°C	± 1.0 MAX
-40 < 25° > 85°C	± 2.0 TYP
RESPONSE TIME	1 m SEC MAX

TOLERANCES			
APPLY TO DESIGN UNITS. CONVERSIONS ARE ONLY FOR REFERENCE. UNLESS NOTED, TOLERANCES ARE ±			
DIM.	TOL.	DIM.	TOL.
mm	mm/in	in	mm/in
NO PLACES	X	1/04	
ONE PLACE	X,X	0.4/018	X,X
TWO PLACES	X,XX	0.15/006	X,XX
THREE PLACES	X,XXX		X,XXX
ANGLES			
SI METRIC		US CUSTOMARY	
DESIGN UNITS	<input checked="" type="checkbox"/>	<input type="checkbox"/>	

THIRD ANGLE PROJECTION

SCALE NONE

DO NOT SCALE PRINT

TOLERANCES

APPLY TO DESIGN UNITS. CONVERSIONS ARE ONLY FOR REFERENCE. UNLESS NOTED, TOLERANCES ARE ±

DIM.	TOL.	DIM.	TOL.
mm	mm/in	in	mm/in
NO PLACES	X	1/04	
ONE PLACE	X,X	0.4/018	X,X
TWO PLACES	X,XX	0.15/006	X,XX
THREE PLACES	X,XXX		X,XXX
ANGLES			

DESIGN UNITS  SI METRIC  US CUSTOMARY

RAW MATERIAL-COMMERCIAL STANDARD  
MICRO SWITCH STANDARDS APPLY

DIMENSIONS ARE TO BE MET BEFORE  
PROTECTIVE COATINGS ARE APPLIED

THIS DRAWING COVERS A PROPRIETARY ITEM AND IS THE PROPERTY OF MICRO SWITCH, A DIVISION OF HONEYWELL. THIS DRAWING IS NOT TO BE COPIED OR USED WITHOUT THE APPROVAL OF MICRO SWITCH.

<b>MICRO SWITCH</b> FREEPORT, ILLINOIS, U.S.A. A DIVISION OF HONEYWELL FED. MFG. CODE 91429	<b>PRESSURE TRANSDUCER</b>	CATALOG LISTING <b>140PC05 SERIES</b> <b>CHART 2</b>	<b>WEIGHT 31 GRAMS</b>
--	----------------------------	--	------------------------