

Application

For use in housing electrical and electronic controls, instruments, components, and associated wiring, these enclosures incorporate hinged doors that provide convenient access. Designed for indoor use in protecting components from dust, dirt, oil, and water.

Construction

- Enclosure bodies are either 14 gauge or 16 gauge steel (see table). All doors are 14 gauge steel.
- Seams continuously welded and ground smooth, no holes or knockouts
- External wall-mounting brackets
- Rolled flanges around three sides of door and all sides of enclosure opening exclude liquids and contaminants
- Newly designed door clamps are quick and easy to operate
- Removable heavy gauge continuous hinge pin
- Hasp and staple for padlocking
- Data pocket is high-impact thermoplastic
- Oil-resistant gasket attached with oil-resistant adhesive
- Collar studs provided for mounting optional panels
- Bonding provision on door
- Optional panels are 12 gauge steel

See Chapter 11, EMC Enclosures, for information on a related EMC-shielded product.

Finish

White inside with ANSI 61 gray outside finish over phosphatized surfaces. Optional panels are white.

Industry Standards

UL 508A, 508, File No. E61997: Type 12 and Type 13
 NEMA/EEMAC Type 12 and Type 13
 JIC standard EGP-1-1967 (14 gauge only)
 CSA, File No. LR42186, Type 12
 IEC 60529, IP65

Accessories

See Chapter 12, General Accessories.

Blower Package
 Clamp Kit
 Corrosion Inhibitors
 Door Stop Kit
 Drip Shield Kit
 Electric Heater
 Electrical Interlocks
 Enclosure Stabilizers
 Fan Cooling Products
 Fast Operating Clamp Assembly
 Floor Stand Kit
 Folding Shelf
 Keyboard Kit
 Latch Kits and Lock Kit
 Lighting Kit
 Panel Support Kit
 Panels (see table)
 Rack Mounting Angle Kit
 Swing-Out Panel Kit
 Terminal Block Kit Assembly
 Touch-Up Paint, gray (ATPHS61, except order ATPG15GLS for catalog number A723612LP)
 Window Kit
 Wiring Duct

Modification Services Program

You can customize this product to your unique requirements by specifying from these options:

- Enclosure height, width, depth
- Over 100 standard finish colors and textures
- Holes and cutouts in body, doors, subpanels
- Tapped holes, fasteners in enclosure or subpanel
- Mounting
- Doors
- Subpanels
- Structural changes
- Environmental control (louvers, fans, filters)
- Windows
- Standard accessories

For details, see Modification Services at www.hoffmanonline.com.

To order, contact your local Hoffman sales representative.

NOTE: For information about modifications outside the scope of the Modification Services program, contact your Hoffman sales representative.



Standard Sizes Single-Door Type I2 and Type I3 Enclosures

Enclosure Catalog Number	Body Gauge	Enclosure Size A x B x C		* Panel Catalog Number	Panel Size D x E		F		Number of Clamps	Data Pocket
		inch	(millimeter)		inch	(mm)	inch	(mm)		
A122406LP	16	12.00 x 24.00 x 6.00	(305 x 610 x 152)	A12P24	9.00 x 21.00	(229 x 533)	3.00	(76)	2	Small
A161206LP	16	16.00 x 12.00 x 6.00	(406 x 305 x 152)	A16P12	13.00 x 9.00	(330 x 229)	1.25	(32)	2	Small
A161606LP	16	16.00 x 16.00 x 6.00	(406 x 406 x 152)	A16P16	13.00 x 13.00	(330 x 330)	3.00	(76)	2	Small
A162006LP	16	16.00 x 20.00 x 6.00	(406 x 508 x 152)	A20P16	17.00 x 13.00	(432 x 330)	3.00	(76)	2	Small
A201206LP	16	20.00 x 12.00 x 6.00	(508 x 305 x 152)	A20P12	17.00 x 9.00	(432 x 229)	1.25	(32)	2	Small
A201606LP	16	20.00 x 16.00 x 6.00	(508 x 406 x 152)	A20P16	17.00 x 13.00	(432 x 330)	3.00	(76)	2	Small
A202006LP	16	20.00 x 20.00 x 6.00	(508 x 508 x 152)	A20P20	17.00 x 17.00	(432 x 432)	3.00	(76)	2	Small
A202406LP	16	20.00 x 24.00 x 6.00	(508 x 610 x 152)	A24P20	21.00 x 17.00	(533 x 432)	3.00	(76)	2	Small
A241206LP	16	24.00 x 12.00 x 6.00	(610 x 305 x 152)	A12P24	9.00 x 21.00	(229 x 533)	1.25	(32)	2	Small
A241606LP	16	24.00 x 16.00 x 6.00	(610 x 406 x 152)	A24P16	21.00 x 13.00	(533 x 330)	3.00	(76)	2	Small
A242006LP	16	24.00 x 20.00 x 6.00	(610 x 508 x 152)	A24P20	21.00 x 17.00	(533 x 432)	3.00	(76)	2	Small
A242406LP	16	24.00 x 24.00 x 6.00	(610 x 610 x 152)	A24P24	21.00 x 21.00	(533 x 533)	3.00	(76)	2	Small
A301606LP	14	30.00 x 16.00 x 6.00	(762 x 406 x 152)	A30P16	27.00 x 13.00	(686 x 330)	3.00	(76)	2	Small
A302006LP	14	30.00 x 20.00 x 6.00	(762 x 508 x 152)	A30P20	27.00 x 17.00	(686 x 432)	3.00	(76)	2	Small
A302406LP	14	30.00 x 24.00 x 6.00	(762 x 610 x 152)	A30P24	27.00 x 21.00	(686 x 533)	3.00	(76)	2	Large
A362406LP	14	36.00 x 24.00 x 6.00	(914 x 610 x 152)	A36P24	33.00 x 21.00	(838 x 533)	3.00	(76)	2	Large
A363006LP	14	36.00 x 30.00 x 6.00	(914 x 762 x 152)	A36P30	33.00 x 27.00	(838 x 686)	3.00	(76)	2	Large
A122408LP	16	12.00 x 24.00 x 8.00	(305 x 610 x 203)	A12P24	9.00 x 21.00	(229 x 533)	3.00	(76)	2	Small
A161208LP	16	16.00 x 12.00 x 8.00	(406 x 305 x 203)	A16P12	13.00 x 9.00	(330 x 229)	1.25	(32)	2	Small
A161608LP	16	16.00 x 16.00 x 8.00	(406 x 406 x 203)	A16P16	13.00 x 13.00	(330 x 330)	3.00	(76)	2	Small
A162008LP	16	16.00 x 20.00 x 8.00	(406 x 508 x 203)	A20P16	17.00 x 13.00	(432 x 330)	3.00	(76)	2	Small
A201208LP	16	20.00 x 12.00 x 8.00	(508 x 305 x 203)	A20P12	17.00 x 9.00	(432 x 229)	1.25	(32)	2	Small
A201608LP	16	20.00 x 16.00 x 8.00	(508 x 406 x 203)	A20P16	17.00 x 13.00	(432 x 330)	3.00	(76)	2	Small
A202008LP	16	20.00 x 20.00 x 8.00	(508 x 508 x 203)	A20P20	17.00 x 17.00	(432 x 432)	3.00	(76)	2	Small
A202408LP	16	20.00 x 24.00 x 8.00	(508 x 610 x 203)	A24P20	21.00 x 17.00	(533 x 432)	3.00	(76)	2	Small
A241208LP	16	24.00 x 12.00 x 8.00	(610 x 305 x 203)	A12P24	9.00 x 21.00	(229 x 533)	1.25	(32)	2	Small
A241608LP	16	24.00 x 16.00 x 8.00	(610 x 406 x 203)	A24P16	21.00 x 13.00	(533 x 330)	3.00	(76)	2	Small
A242008LP	14	24.00 x 20.00 x 8.00	(610 x 508 x 203)	A24P20	21.00 x 17.00	(533 x 432)	3.00	(76)	2	Small
A242408LP	16	24.00 x 24.00 x 8.00	(610 x 610 x 203)	A24P24	21.00 x 21.00	(533 x 533)	3.00	(76)	2	Small
A243008LP	14	24.00 x 30.00 x 8.00	(610 x 762 x 203)	A30P24	27.00 x 21.00	(686 x 533)	3.00	(76)	2	Small
A302008LP	14	30.00 x 20.00 x 8.00	(765 x 508 x 203)	A30P20	27.00 x 17.00	(686 x 432)	3.00	(76)	2	Small
A302408LP	14	30.00 x 24.00 x 8.00	(762 x 610 x 203)	A30P24	27.00 x 21.00	(686 x 533)	3.00	(76)	2	Large
A303008LP	14	30.00 x 30.00 x 8.00	(762 x 762 x 203)	A30P30	27.00 x 27.00	(686 x 686)	3.00	(76)	2	Large
A303608LP	14	30.00 x 36.00 x 8.00	(762 x 914 x 203)	A36P30	33.00 x 27.00	(838 x 686)	3.00	(76)	2	Large
A362408LP	14	36.00 x 24.00 x 8.00	(914 x 610 x 203)	A36P24	33.00 x 21.00	(838 x 533)	3.00	(76)	2	Large
A363008LP	14	36.00 x 30.00 x 8.00	(914 x 762 x 203)	A36P30	33.00 x 27.00	(838 x 686)	3.00	(76)	2	Large
A363608LP	14	36.00 x 36.00 x 8.00	(914 x 914 x 203)	A36P36	33.00 x 33.00	(838 x 838)	3.00	(76)	2	Large
A422408LP	14	42.00 x 24.00 x 8.00	(1097 x 610 x 203)	A42P24	39.00 x 21.00	(991 x 533)	3.00	(76)	2	Large
A423008LP	14	42.00 x 30.00 x 8.00	(1097 x 762 x 203)	A42P30	39.00 x 27.00	(991 x 686)	3.00	(76)	2	Small
A423608LP	14	42.00 x 36.00 x 8.00	(1067 x 914 x 203)	A42P36	39.00 x 33.00	(991 x 838)	3.00	(76)	2	Large
A482408LP	14	48.00 x 24.00 x 8.00	(1219 x 610 x 203)	A48P24	45.00 x 21.00	(1143 x 533)	3.00	(76)	3	Large
A483008LP	14	48.00 x 30.00 x 8.00	(1219 x 762 x 203)	A48P30	45.00 x 27.00	(1143 x 686)	3.00	(76)	3	Small
A483608LP	14	48.00 x 36.00 x 8.00	(1219 x 914 x 203)	A48P36	45.00 x 33.00	(1143 x 838)	3.00	(76)	3	Large
A603608LP	14	60.00 x 36.00 x 8.00	(1524 x 914 x 203)	A60P36	57.00 x 33.00	(1448 x 838)	3.00	(76)	3	Large

Continued on next page



A Pentair Company

Single-Door Type I2 and Type I3 Enclosures

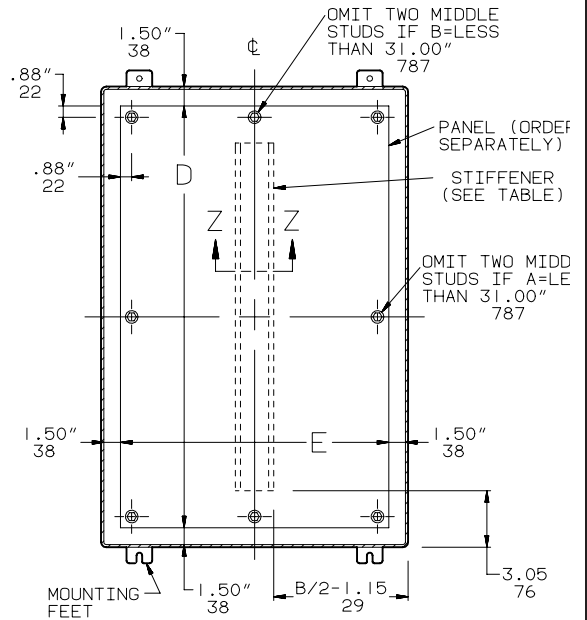
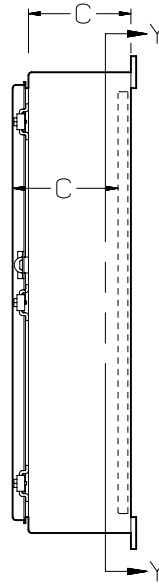
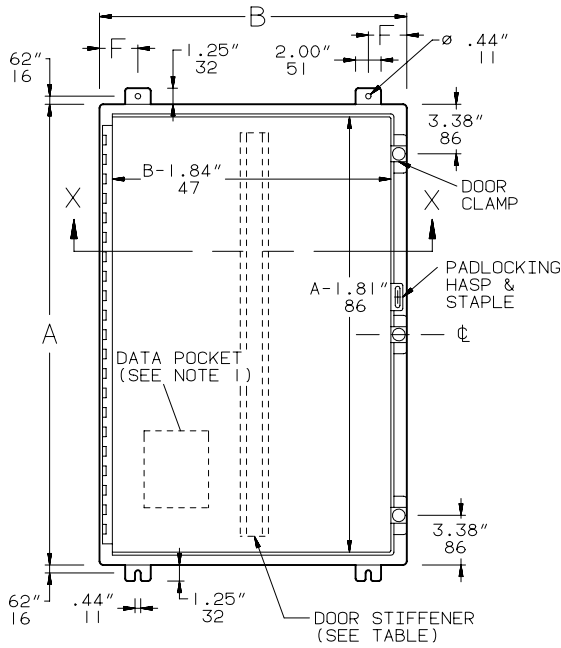
Standard Sizes Single-Door Type I2 and Type I3 Enclosures (Cont.)

Enclosure Catalog Number	Body Gauge	Enclosure Size A x B x C*		Panel Catalog Number	Panel Size D x E		F		Number of Clamps	Data Pocket
		inch	(millimeter)		inch	(mm)	inch	(mm)		
A161210LP	14	16.00 x 12.00 x 10.00	(406 x 305 x 254)	A16P12	13.00 x 9.00	(330 x 229)	1.25	(32)	2	Small
A201610LP	14	20.00 x 16.00 x 10.00	(508 x 406 x 254)	A20P16	17.00 x 13.00	(432 x 330)	3.00	(76)	2	Small
A202010LP	14	20.00 x 20.00 x 10.00	(508 x 508 x 254)	A20P20	17.00 x 17.00	(432 x 432)	3.00	(76)	2	Small
A241210LP	14	24.00 x 12.00 x 10.00	(610 x 305 x 254)	A12P24	9.00 x 21.00	(229 x 533)	1.25	(32)	2	Small
A242010LP	14	24.00 x 20.00 x 10.00	(610 x 508 x 254)	A24P20	21.00 x 17.00	(533 x 432)	3.00	(76)	2	Small
A242410LP	14	24.00 x 24.00 x 10.00	(610 x 610 x 254)	A24P24	21.00 x 21.00	(533 x 533)	3.00	(76)	2	Small
A302010LP	14	30.00 x 20.00 x 10.00	(762 x 508 x 254)	A30P20	27.00 x 17.00	(686 x 432)	3.00	(76)	2	Small
A302410LP	14	30.00 x 24.00 x 10.00	(762 x 610 x 254)	A30P24	27.00 x 21.00	(686 x 533)	3.00	(76)	2	Large
A362410LP	14	36.00 x 24.00 x 10.00	(914 x 610 x 254)	A36P24	33.00 x 21.00	(838 x 533)	3.00	(76)	2	Large
A363010LP	14	36.00 x 30.00 x 10.00	(914 x 762 x 254)	A36P30	33.00 x 27.00	(838 x 686)	3.00	(76)	2	Large
A423010LP	14	42.00 x 30.00 x 10.00	(1067 x 762 x 254)	A42P30	39.00 x 27.00	(991 x 686)	3.00	(76)	2	Small
A423610LP	14	42.00 x 36.00 x 10.00	(1067 x 914 x 254)	A42P36	39.00 x 33.00	(991 x 838)	3.00	(76)	2	Large
A483010LP	14	48.00 x 30.00 x 10.00	(1219 x 762 x 254)	A48P30	45.00 x 27.00	(1143 x 686)	3.00	(76)	3	Small
A483610LP	14	48.00 x 36.00 x 10.00	(1219 x 914 x 254)	A48P36	45.00 x 33.00	(1143 x 838)	3.00	(76)	3	Large
A603610LP	14	60.00 x 36.00 x 10.00	(1524 x 914 x 254)	A60P36	57.00 x 33.00	(1448 x 838)	3.00	(76)	3	Large
A201612LP	14	20.00 x 16.00 x 12.00	(508 x 406 x 305)	A20P16	17.00 x 13.00	(432 x 330)	3.00	(76)	2	Small
A242012LP	14	24.00 x 20.00 x 12.00	(610 x 508 x 305)	A24P20	21.00 x 17.00	(533 x 432)	3.00	(76)	2	Small
A242412LP	14	24.00 x 24.00 x 12.00	(610 x 610 x 305)	A24P24	21.00 x 21.00	(533 x 533)	3.00	(76)	2	Small
A302412LP	14	30.00 x 24.00 x 12.00	(762 x 610 x 305)	A30P24	27.00 x 21.00	(686 x 533)	3.00	(76)	2	Large
A303012LP	14	30.00 x 30.00 x 12.00	(762 x 762 x 305)	A30P30	27.00 x 27.00	(686 x 686)	3.00	(76)	2	Large
A362412LP	14	36.00 x 24.00 x 12.00	(914 x 610 x 305)	A36P24	33.00 x 21.00	(838 x 533)	3.00	(76)	2	Large
A363012LP	14	36.00 x 30.00 x 12.00	(914 x 762 x 305)	A36P30	33.00 x 27.00	(838 x 686)	3.00	(76)	2	Large
A363612LP	14	36.00 x 36.00 x 12.00	(914 x 914 x 305)	A36P36	33.00 x 33.00	(838 x 838)	3.00	(76)	2	Large
A423012LP	14	42.00 x 30.00 x 12.00	(1067 x 762 x 305)	A42P30	39.00 x 27.00	(991 x 686)	3.00	(76)	2	Small
A423612LP	14	42.00 x 36.00 x 12.00	(1067 x 914 x 305)	A42P36	39.00 x 33.00	(991 x 838)	3.00	(76)	2	Large
A483612LP	14	48.00 x 36.00 x 12.00	(1219 x 914 x 305)	A48P36	45.00 x 33.00	(1143 x 838)	3.00	(76)	3	Large
A603612LP	14	60.00 x 36.00 x 12.00	(1524 x 914 x 305)	A60P36	57.00 x 33.00	(1448 x 838)	3.00	(76)	3	Large
A723612LP	14	72.00 x 36.00 x 12.00	(1829 x 914 x 305)	A72P36	69.00 x 33.00	(1753 x 838)	3.00	(76)	3	Large
A242016LP	14	24.00 x 20.00 x 16.00	(610 x 508 x 406)	A24P20	21.00 x 17.00	(533 x 432)	3.00	(76)	2	Small
A242416LP	14	24.00 x 24.00 x 16.00	(610 x 610 x 406)	A24P24	21.00 x 21.00	(533 x 533)	3.00	(76)	2	Small
A302416LP	14	30.00 x 24.00 x 16.00	(762 x 610 x 406)	A30P24	27.00 x 21.00	(686 x 533)	3.00	(76)	2	Large
A363016LP	14	36.00 x 30.00 x 16.00	(914 x 762 x 406)	A36P30	33.00 x 27.00	(838 x 686)	3.00	(76)	2	Large
A423616LP	14	42.00 x 36.00 x 16.00	(1067 x 914 x 406)	A42P36	39.00 x 33.00	(991 x 838)	3.00	(76)	2	Large
A483616LP	14	48.00 x 36.00 x 16.00	(1219 x 914 x 406)	A48P36	45.00 x 33.00	(1143 x 838)	3.00	(76)	3	Large
A603616LP	14	60.00 x 36.00 x 16.00	(1524 x 914 x 406)	A60P36	57.00 x 33.00	(1448 x 838)	3.00	(76)	3	Large
A302420LP	14	30.00 x 24.00 x 20.00	(762 x 610 x 508)	A30P24	27.00 x 21.00	(686 x 533)	3.00	(76)	2	Large
A363020LP	14	36.00 x 30.00 x 20.00	(914 x 762 x 508)	A36P30	33.00 x 27.00	(838 x 686)	3.00	(76)	2	Large
A483620LP	14	48.00 x 36.00 x 20.00	(1219 x 914 x 508)	A48P36	45.00 x 33.00	(1143 x 838)	3.00	(76)	3	Large
A603620LP	14	60.00 x 36.00 x 20.00	(1524 x 914 x 508)	A60P36	57.00 x 33.00	(1448 x 838)	3.00	(76)	3	Large
A302424LP	14	30.00 x 24.00 x 24.00	(762 x 610 x 610)	A30P24	27.00 x 21.00	(686 x 533)	3.00	(76)	2	Large

Millimeter dimensions () are for reference only; do not convert metric dimensions to inch.

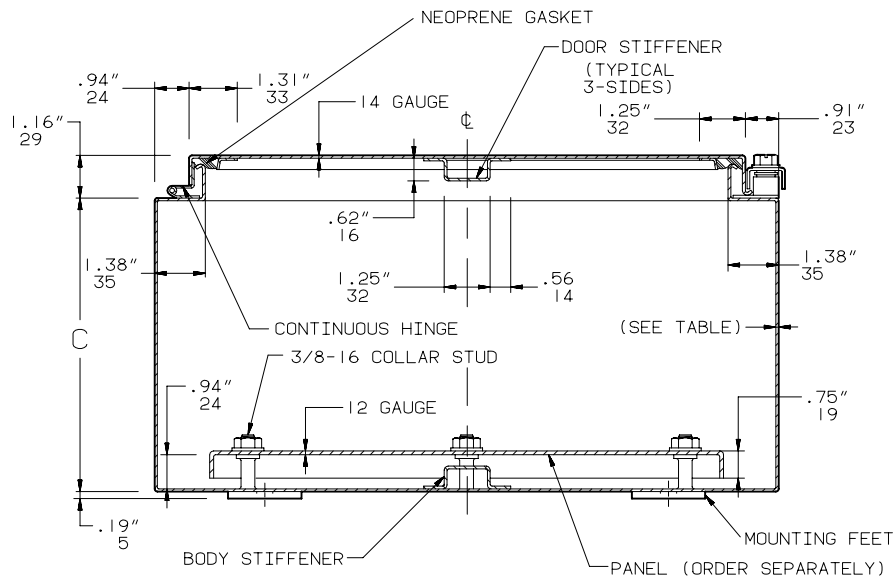
* Panels must be ordered separately. Optional stainless steel, zinc-plated, composite, and aluminum panels are available for most sizes. See Chapter 12, General Accessories.

NOTE: Panels have a formed flange on any side that is longer than 21.00 in. (533mm). Panels A24P20 and A24P24 have a flange on all four sides.

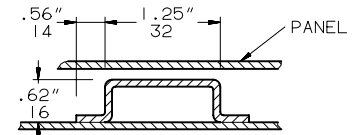


SECTION Y-Y

Number of Body Studs		
Enclosure Size A	Enclosure Size B	Qty of Studs
>31.00 (787)	Any	6
Any	>31.00 (787)	6



SECTION X-X



SECTION Z-Z

C2482