

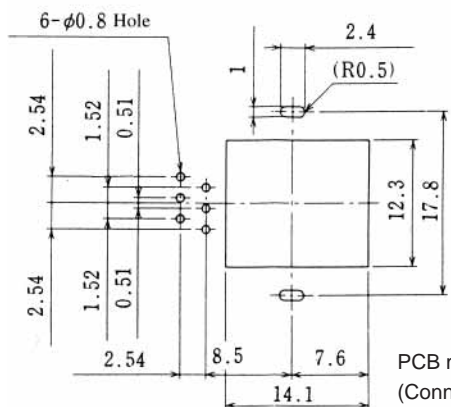
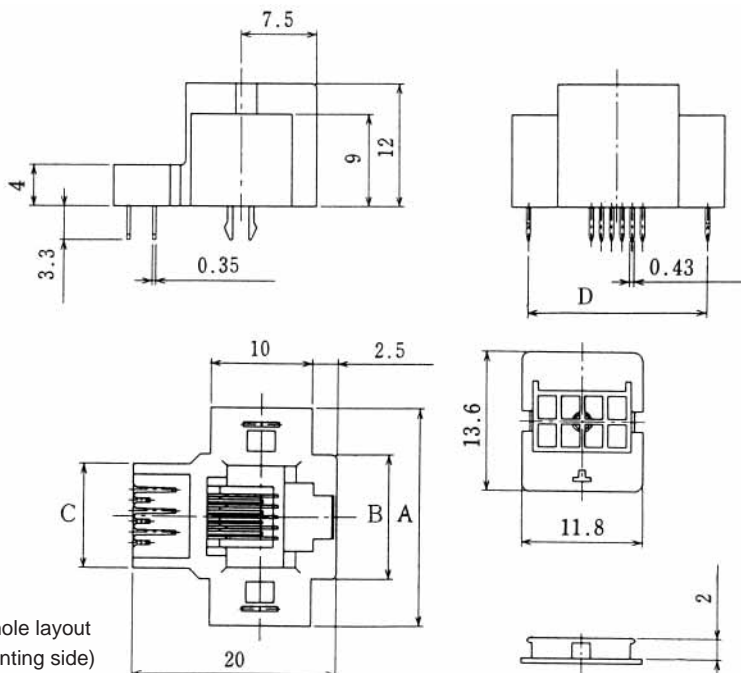
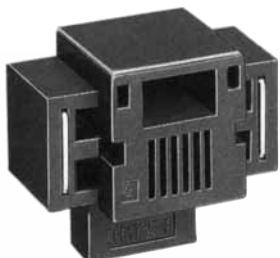
MODULAR CONNECTORS

CL 222 TM

Bottom entry Type

TM13R- *(50)

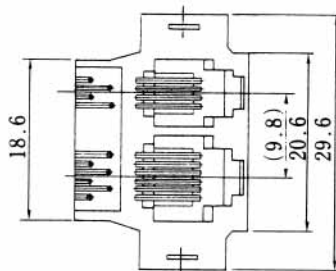
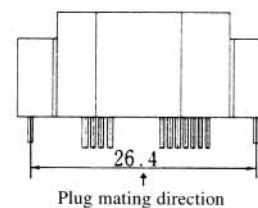
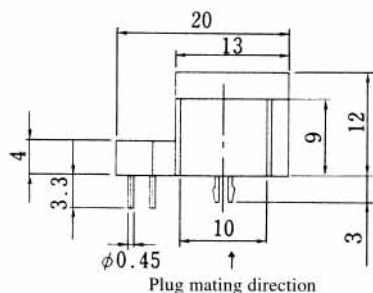
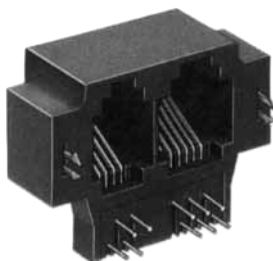
CL No.	Part No.	A	B	C	D	RoHS
222-2034-7-50	TM13R-44(50)	19	10	8	15.8	YES
222-2066-3-50	TM13R-62(50)	21	12	10	17.8	
222-2033-4-50	TM13R-64(50)	21	12	10	17.8	
222-2125-0-50	TM13R-66(50)	21	12	10	17.8	



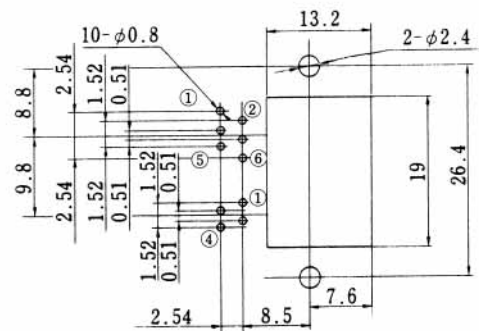
PCB mounting hole layout
(Connector mounting side)

TM13RA-1010(50)

CL No.	Part No.	RoHS
222-1806-2-50	TM13RA-1010(50)	YES



PCB mounting hole layout
(Connector mounting side)



Note 1: Standard finish color is black.

Note 2: Available reverse type of products for 4 pins, 6 pins.

TM13R-10 *(50)