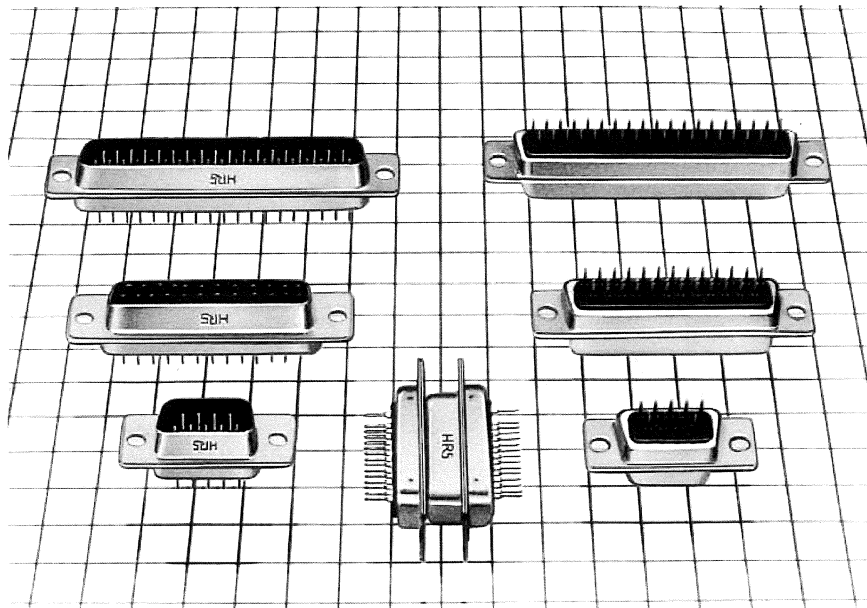


## SD SERIES. STRAIGHT/METAL PCB D-SUB

### General

The SD\*B and SD\*G Series D sub-straight dip soldering connectors are designed to be mounted vertically on PCBs. Directly connected to the circuits on PCBs, they are suitable for saving labor in mounting. 9, 15, 25, 37, and 50-contact models available.



### Features

- (1) Compact and sturdy due to a metal shell.
- (2) Saves gold by plating contacts with gold and PCB-contacting parts with solder.
- (3) Directly mountable vertically on PCBs in high density and easily connectable to a cable plug.
- (4) A wide variety of combinations available, such as dip soldering (HD), crimping (CD), and ribbon IDC termination (FD).
- (5) Uses insulation made from highly heat-resistant and chemical resistant glass-containing resin (UL94V-0).

### Application

Computers, peripherals and terminals, control equipment, and measuring instruments.

The product information in this catalog is for reference only. Please request the Engineering Drawing for the most current and accurate design information.  
 All non-RoHS products have been discontinued, or will be discontinued soon. Please check the products status on the Hirose website RoHS search at [www.hirose-connectors.com](http://www.hirose-connectors.com), or contact your Hirose sales representative.

## Electrical and Environmental

Electrical and Environmental Characteristics	
CURRENT RATING:	3A
VOLTAGE RATING:	350V AC
INSULATION RESISTANCE:	5000MΩ min. at 500V DC
CONTACT RESISTANCE:	15mΩ max. at 100mA DC (SD*B)
	30mΩ max. at 100mA DC (SD*G)
WITHSTANDING VOLTAGE:	1250V r.m.s. AC for 1 min.

Material and Finish		
Shell	Steel	Nickel plating
Insulator	PBT※	(GE Valox) Black
Contact	Phosphor Bronze	Contact area: Nickel plating + gold plating Termination area: Nickel plating + gold flash plating or tin plating

※UL94V-0

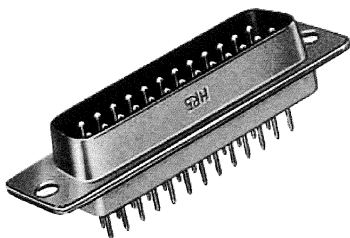
## Ordering Informations

S D   B   B   —   25   P   (55)  
 |   |   |   |   |   |   |  
 (1) (2) (3)   (4) (5) (6)

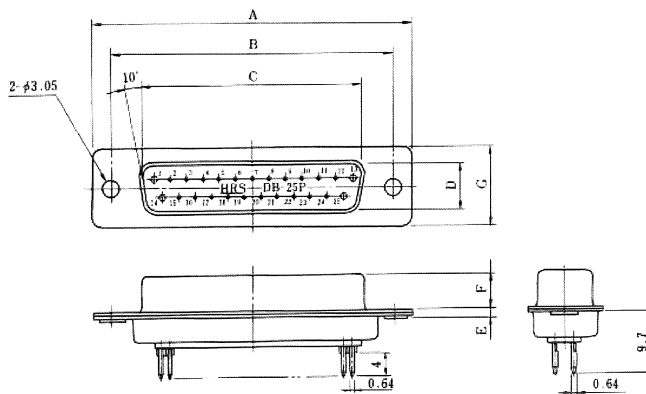
- (1) Model number symbol SD: D substrate dip type
- (2) Shell size: E, A, B, C and D
- (3) Serial symbols by type of connector unit:
  - B: Standard type
  - G: Terminal long leg type
- (4) Number of poles: 9, 15, 25, 37 and 50
- (5) Terminal opening shape symbol
  - P: male terminal
  - S: female terminal
- (6) Specification contents
  - (55): Shell: Nickel plating
  - Contacts: Termination area: gold flash plating (SD\*B type)
  - Tin plating (SD\*G type)

The product information in this catalog is for reference only. Please request the Engineering Drawing for the most current and accurate design information.  
 All non-RoHS products have been discontinued, or will be discontinued soon. Please check the products status on the Hirose website RoHS search at [www.hirose-connectors.com](http://www.hirose-connectors.com), or contact your Hirose sales representative.

## SD\*B



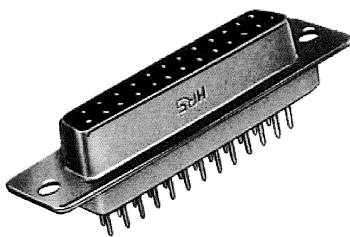
SDBB-25P (55)



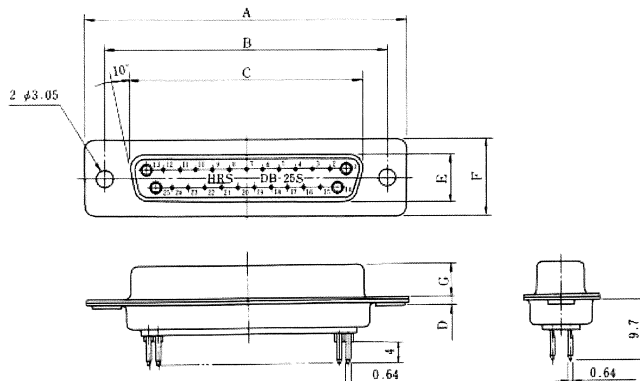
The figure shows a 25-contact model (SDBB-25P (55))

Unit: mm

HRS No	No. of pin	Part No.	A	B	C	D	E	F	G	RoHS
CL211-0247-3-55	9	SDEB-9P (55)	30.81	24.99	16.9	8.34	1.2	5.99	12.55	
CL211-0249-9-55	15	SDAB-15P (55)	39.14	33.32	25.24	8.34	1.2	5.99	12.55	
CL211-0251-0-55	25	SDBB-25P (55)	53.04	47.04	39.01	8.4	1.3	5.87	12.55	YES
CL211-0253-6-55	37	SDCB-37P (55)	69.32	63.5	55.47	8.4	1.4	5.87	12.55	
CL211-0395-0-55	50	SDDB-50P (55)	66.93	61.11	52.85	11.13	1.5	5.87	15.37	



SDBB-25S (55)

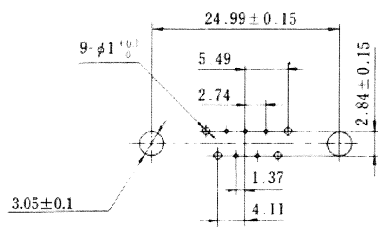


The figure shows a 25-contact model (SDBB-25S (55))

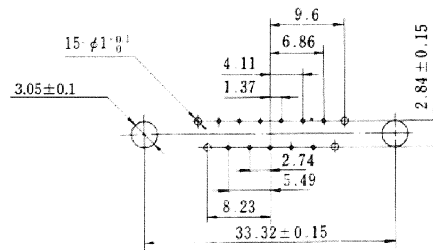
Unit: mm

HRS No	No. of pin	Part No.	A	B	C	D	E	F	G	RoHS
CL211-0248-6-55	9	SDEB-9S (55)	30.81	24.99	16.4	1.2	7.82	12.55	6.17	
CL211-0250-8-55	15	SDAB-15S (55)	39.14	33.32	24.59	1.2	7.82	12.55	6.17	
CL211-0252-3-55	25	SDBB-25S (55)	53.04	47.04	38.3	1.2	7.82	12.55	6.17	YES
CL211-0254-9-55	37	SDCB-37S (55)	69.32	63.5	54.76	1.2	7.82	12.55	6.17	
CL211-0396-3-55	50	SDDB-50S (55)	66.93	61.11	52.35	1.2	10.63	15.37	6.17	

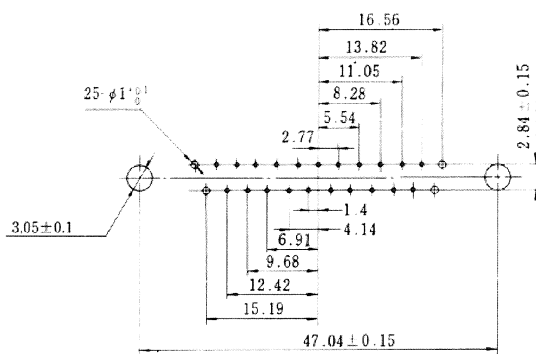
## PCB Mounting Pattern (mm)



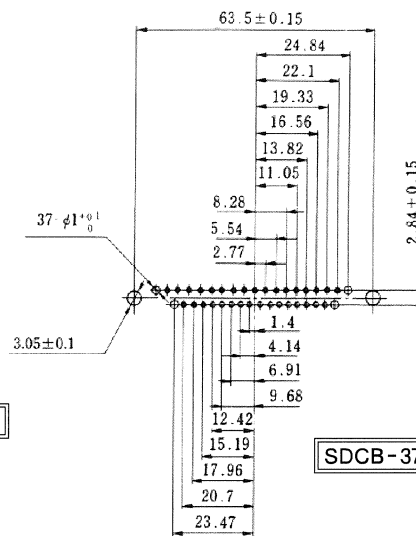
**SDEB-9**



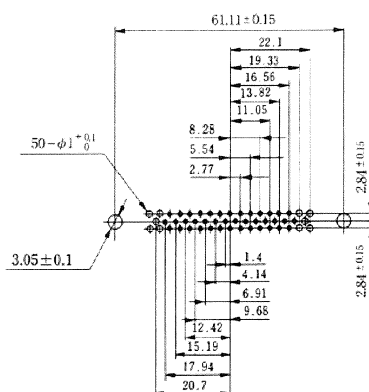
**SDAB-15**



**SDBB-25**

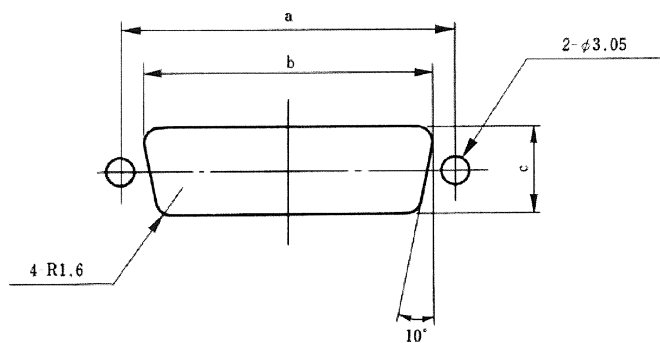


**SDCB-37**



**SDDB-50**

## Mounting Cutout



Unit: mm

Shell Size	a	b	c
E	24.99	20.2	11.5
A	33.32	28.6	11.5
B	47.04	42.3	11.5
C	63.5	58.7	11.5
D	61.11	56	14.3