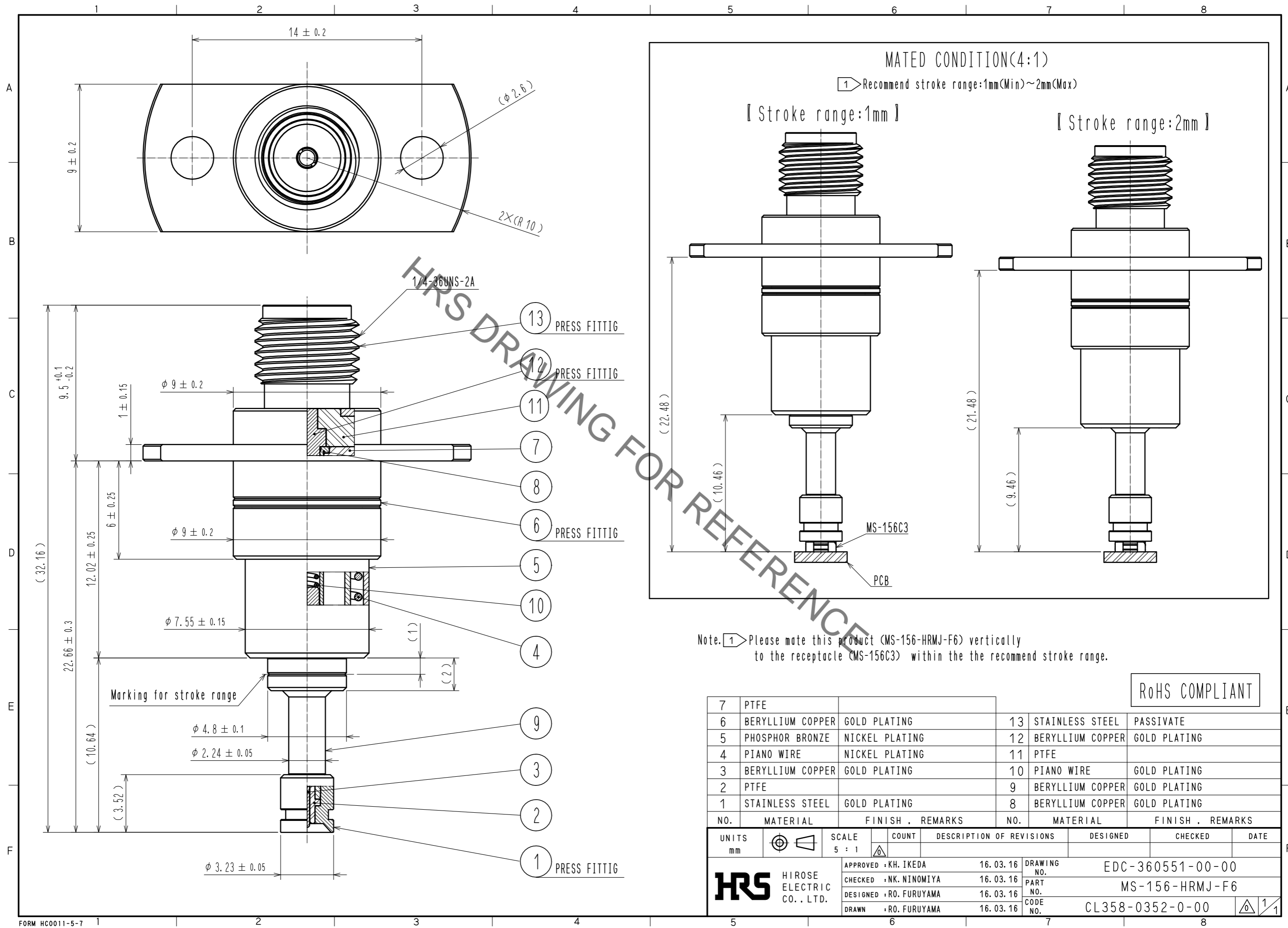


Jun.1.2020 Copyright 2020 HIROSE ELECTRIC CO., LTD. All Rights Reserved.
In case of consideration for using Automotive equipment / device which demand high reliability, kindly contact our sales window correspondents.



Note. 1 Please mate this product (MS-156-HRMJ-F6) vertically to the receptacle (MS-156C3) within the the recommend stroke range.

RoHS COMPLIANT

NO.	MATERIAL	FINISH	REMARKS	NO.	MATERIAL	FINISH	REMARKS
7	PTFE			13	STAINLESS STEEL	PASSIVATE	
6	BERYLLIUM COPPER	GOLD PLATING		12	BERYLLIUM COPPER	GOLD PLATING	
5	PHOSPHOR BRONZE	NICKEL PLATING		11	PTFE		
4	PIANO WIRE	NICKEL PLATING		10	PIANO WIRE	GOLD PLATING	
3	BERYLLIUM COPPER	GOLD PLATING		9	BERYLLIUM COPPER	GOLD PLATING	
2	PTFE			8	BERYLLIUM COPPER	GOLD PLATING	
1	STAINLESS STEEL	GOLD PLATING					

UNITS	SCALE	COUNT	DESCRIPTION OF REVISIONS	DESIGNED	CHECKED	DATE
mm	5 : 1	△				
APPROVED : KH. IKEDA			16.03.16	DRAWING NO. EDC-360551-00-00		
CHECKED : NK. NINOMIYA			16.03.16	PART NO. MS-156-HRMJ-F6		
DESIGNED : RO. FURUYAMA			16.03.16	CODE NO. CL358-0352-0-00		
DRAWN : RO. FURUYAMA			16.03.16	1/1		