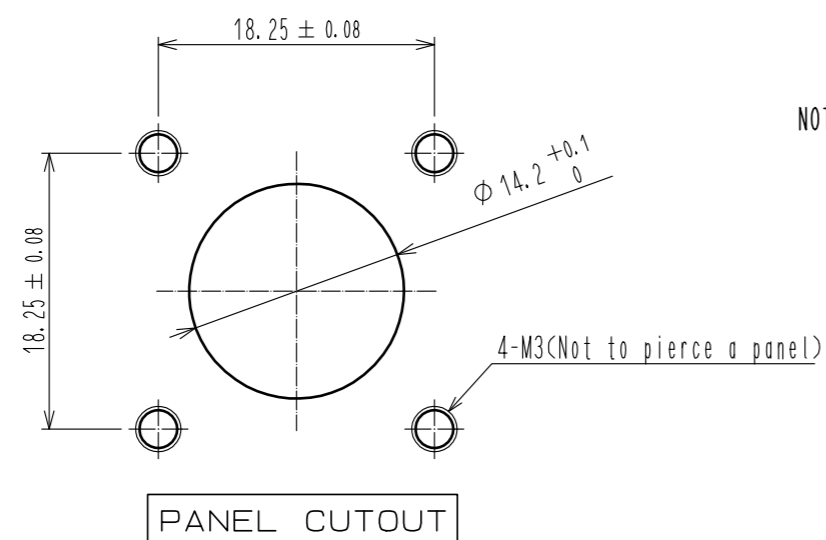
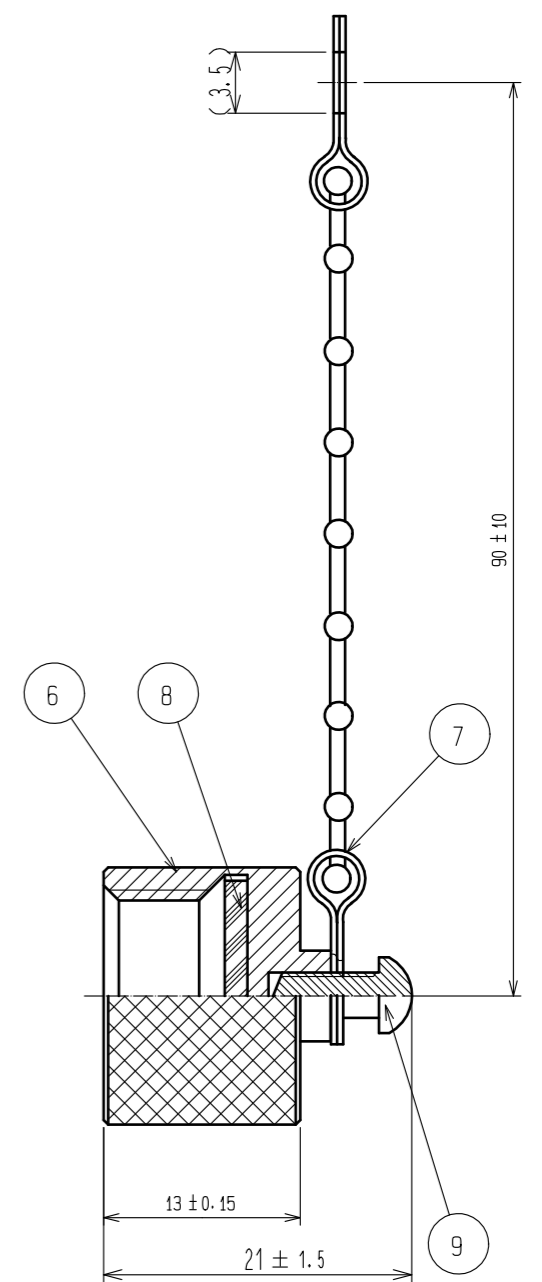
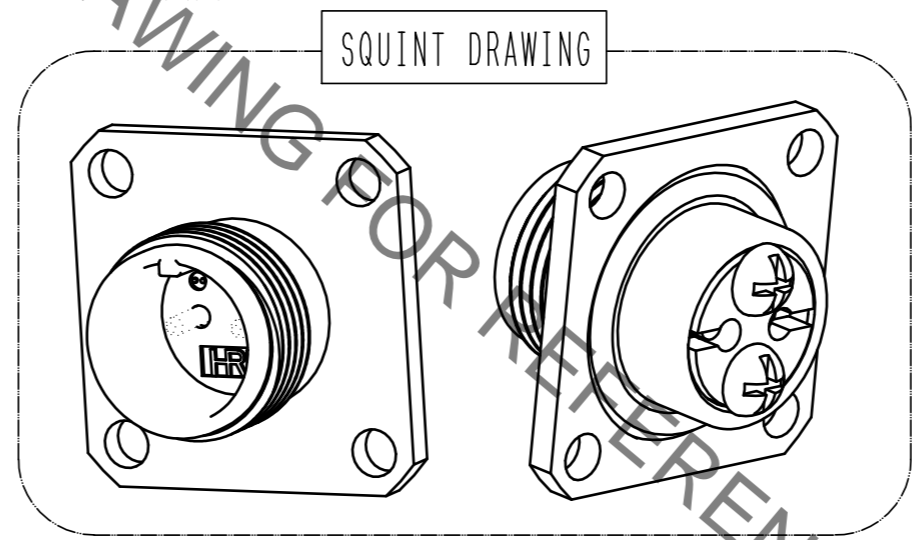
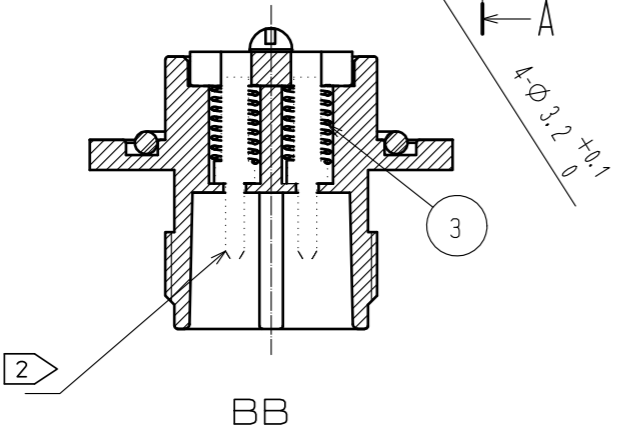
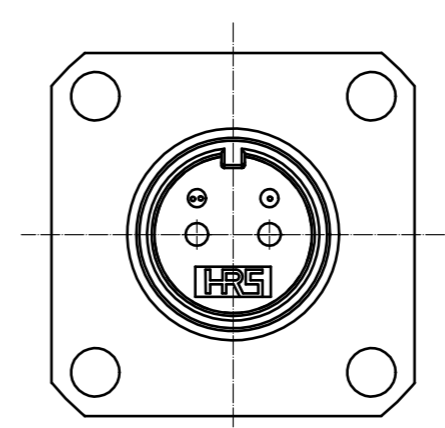
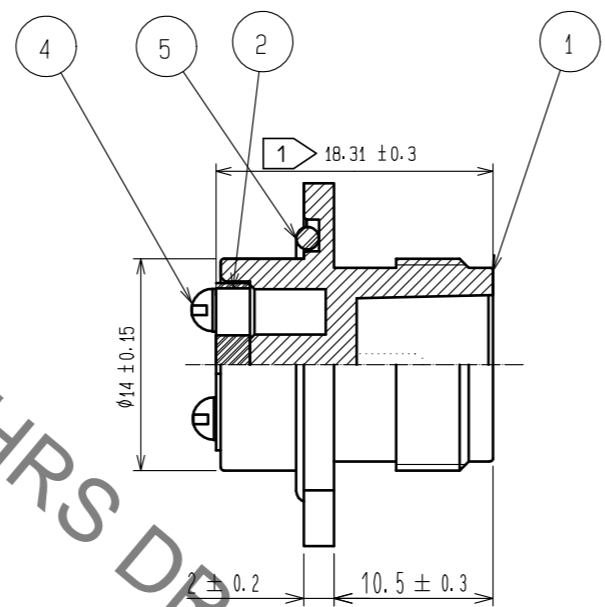
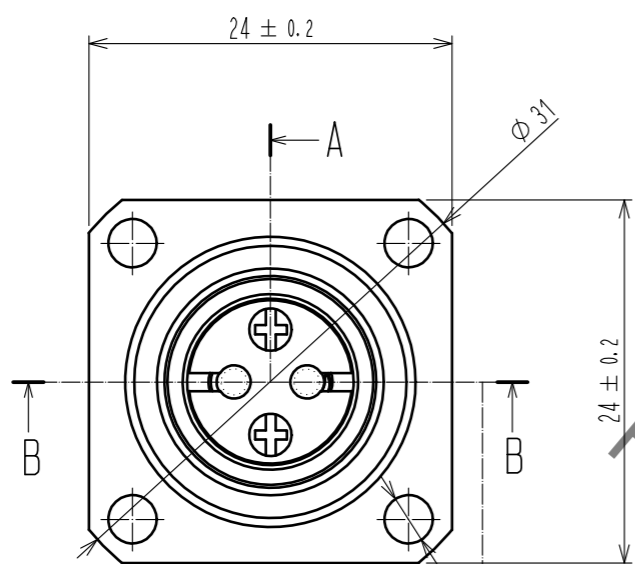


May.1.2020 Copyright 2020 HIROSE ELECTRIC CO., LTD. All Rights Reserved.
 In case of consideration for using Automotive equipment / device which demand high reliability, kindly contact our sales window correspondents.



NOTE 1 THIS DIMENSION SHOWS AFTER ASSEMBLING.
 2 THIS PART IS NOT CONTAINED. PLEASE USE AN OPTIONAL MU FERRULE.

5	SYNTHETIC RUBBER						
4	STAINLESS STEEL		9	STAINLESS STEEL	NYELOCK		
3	PIANO WIRE	ZINC PLATING	8	SYNTHETIC RUBBER			
2	SYNTHETIC RESIN		7	STAINLESS STEEL			
1	ZINC DIECAST	CHROME PLATING	6	ALUMINIUM ALLOY	ANODIC OXIDE COATING		
NO.	MATERIAL	FINISH . REMARKS	NO.	MATERIAL	FINISH . REMARKS		
UNITS mm		SCALE 2 : 1	COUNT 	DESCRIPTION OF REVISIONS	DESIGNED	CHECKED	DATE
HRS HIROSE ELECTRIC CO., LTD.		APPROVED : MT. SHIBUTANI	18. 02. 02	DRAWING NO.	EDC-176807-31-00		
		CHECED : FS. YOSHIDA	18. 02. 02	PART NO.	MF10S-WDRFG01-0200(31)		
		DESIGNED : TY. SATO	18. 02. 02	CODE NO.	CL709-0578-5-31		
		DRAWN : MK. INOUE	18. 02. 02				