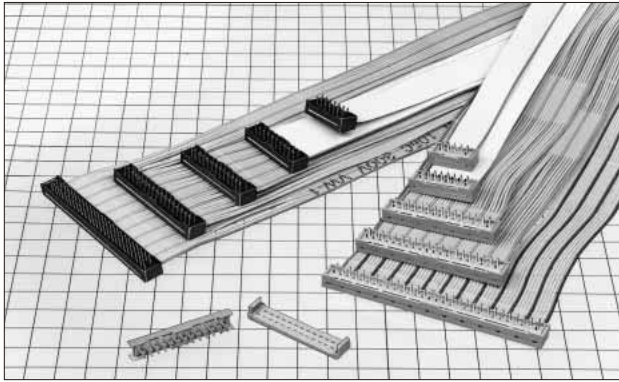


2.54mm Connectors Directly Mounted on Board

HIF2E Series



■ Features

1. Directly Mounted on Board

This connector can be directly mounted on the board using the 1.27mm pitch flat cable.

2. Variation in Number of Contacts

10, 14, 16, 20, 26, 30, 34, 40, 50, and 60 contacts, are available

3. Applicable Cable

The applicable cable is UL2651 28 AWG flat cable (7 cores/0.127mm, jacket dia. : 0.8 to 1.0mm).

■ Product Specifications

| | | | |
|--------|--------------------------|---|---|
| Rating | Current rating : 1A | Operating Temperature Range : -55 to +85°C (Note 1) | Storage Temperature Range : -10 to +60°C (Note 2) |
| | Voltage rating : 200V AC | Operating Moisture Range : 40 to 80% | Storage Humidity Range : 40 to 70% (Note 2) |

| Item | Specification | Condition |
|---------------------------------|---|---|
| 1. Insulation Resistance | 1000MΩ min | 500V DC |
| 2. Withstanding voltage | No flashover or insulation breakdown. | 650V AC/1 minute |
| 3. Contact Resistance | 15mΩ max | 0.1A |
| 4. Vibration | No electrical discontinuity of 1μs or more | Frequency: 10 to 55 Hz, single amplitude of 0.75 mm, 2 hours in each of the 3 directions. |
| 5. Humidity (Steady state) | Insulation resistance : 1000MΩ min. | 96 hours at temperature of 40°C and humidity of 90% to 95% |
| 6. Temperature Cycle | No damage, cracks, or parts looseness. | (-65°C : 30 minutes → 15 to 35°C : 5 minutes max. 125°C : 30 minutes → 15 to 35°C : 5 minutes max.) 5 cycles |
| 7. Resistance to Soldering heat | No deformation of components affecting performance. | Solder bath : 260°C for 10 seconds |
| | | Manual soldering : 360°C for 5 seconds |

Note 1 : Includes temperature rise caused by current flow.

Note 2 : The term "storage" refers to products stored for long period of time prior to mounting and use. Operating Temperature Range and Humidity range covers non conducting condition of installed connectors in storage, shipment or during transportation.

■ Materials / Finish

| Part | Material | Finish | | Remarks |
|-----------|--------------|-------------------------------------|------------------|---------|
| Insulator | PBT | Black | HIF2E-*D-2.54R B | UL94V-0 |
| | | Gray | HIF2E-*D-2.54R A | |
| Contact | Copper alloy | Gold plated over nickel underplated | | — |

■ Product Number Structure

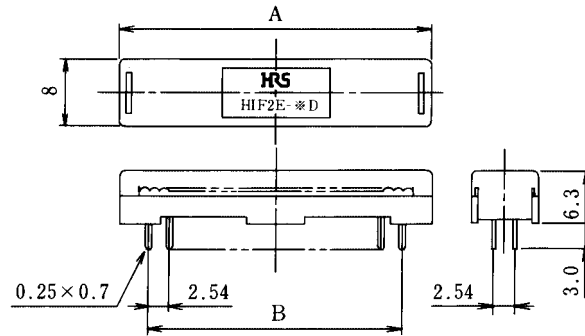
Refer to the chart below when determining the product specifications from the product number.

Please select from the product numbers listed in this catalog when placing orders.

HIF2E - ***** **D** - **2.54** **RB**
① ② ③ ④ ⑤

| | |
|---|---|
| ① Series Name : HIF2E | ⑤ Connection method and contact plating type RB : Universal type circuit plated RA : Hirose original circuit plated |
| ② Number of Contacts : 10, 14, 16, 20, 26, 30, 34, 40, 50, and 60 | |
| ③ Contact alignment : D : Double | |
| ④ Contact Pitch : 2.54mm | |

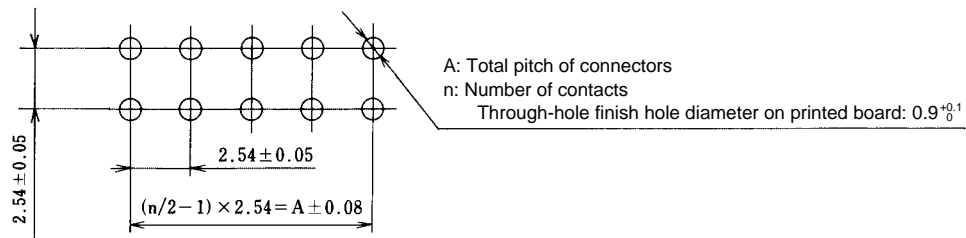
■ Combination Pattern



Unit : mm

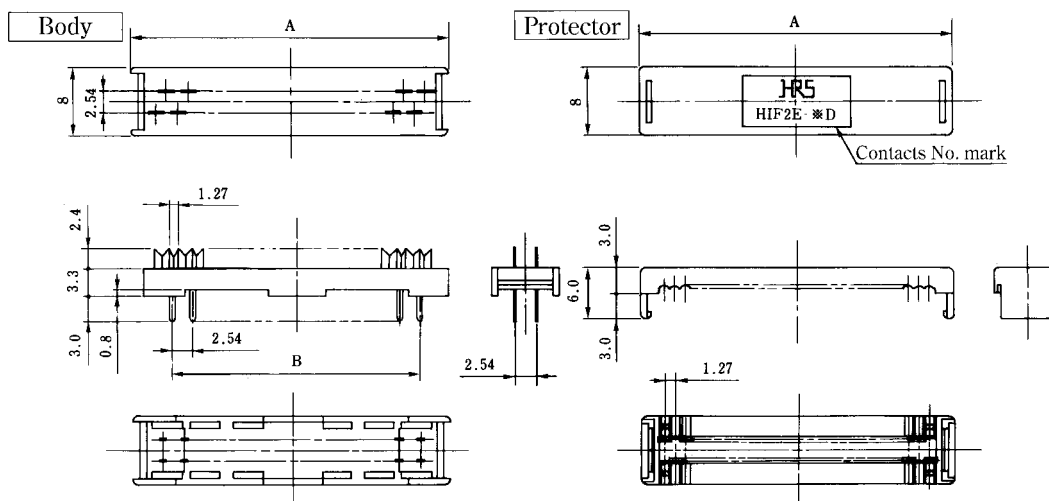
| | 10 contacts | 14 contacts | 16 contacts | 20 contacts | 26 contacts | 30 contacts | 34 contacts | 40 contacts | 50 contacts | 60 contacts |
|---|-------------|-------------|-------------|-------------|-------------|-------------|-------------|-------------|-------------|-------------|
| A | 17.17 | 22.25 | 24.79 | 29.87 | 37.49 | 42.57 | 47.65 | 55.27 | 67.97 | 80.67 |
| B | 10.16 | 15.24 | 17.78 | 22.86 | 30.48 | 35.56 | 40.64 | 48.26 | 60.96 | 73.66 |

◆ PCB mounting pattern



Apr.1.2020 Copyright 2020 HIROSE ELECTRIC CO., LTD. All Rights Reserved.

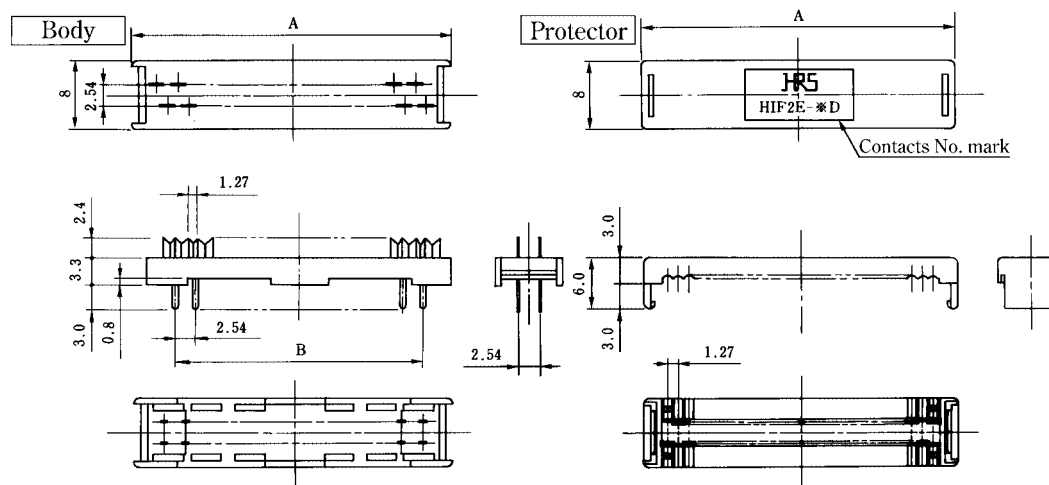
■ Universal Circuit Type (Mold color: black)



Unit : mm

| Part No. | HRS No. | No. of Contacts | A | B | RoHS |
|----------------------|---------------|-----------------|-------|-------|------|
| HIF2E-10D-2.54RB(20) | 561-0601-1 20 | 10 | 17.17 | 10.16 | YES |
| HIF2E-14D-2.54RB(20) | 561-0602-4 20 | 14 | 22.25 | 15.24 | |
| HIF2E-16D-2.54RB(20) | 561-0603-7 20 | 16 | 24.79 | 17.78 | |
| HIF2E-20D-2.54RB(20) | 561-0604-0 20 | 20 | 29.87 | 22.86 | |
| HIF2E-26D-2.54RB(20) | 561-0605-2 20 | 26 | 37.49 | 30.48 | |
| HIF2E-30D-2.54RB(20) | 561-0606-5 20 | 30 | 42.57 | 35.56 | |
| HIF2E-34D-2.54RB(20) | 561-0607-8 20 | 34 | 47.65 | 40.64 | |
| HIF2E-40D-2.54RB(20) | 561-0608-0 20 | 40 | 55.27 | 48.26 | |
| HIF2E-50D-2.54RB(20) | 561-0609-3 20 | 50 | 67.97 | 60.96 | |
| HIF2E-60D-2.54RB(20) | 561-0610-2 20 | 60 | 80.67 | 73.66 | |

■ Hirose Original Circuit Type (Mold color: gray)



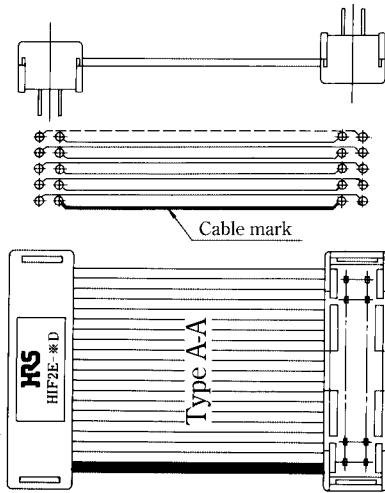
Unit : mm

| Part No. | HRS No. | No. of Contacts | A | B | RoHS |
|----------------------|---------------|-----------------|-------|-------|------|
| HIF2E-10D-2.54RA(20) | 561-0501-7 20 | 10 | 17.17 | 10.16 | YES |
| HIF2E-14D-2.54RA(20) | 561-0502-0 20 | 14 | 22.25 | 15.24 | |
| HIF2E-16D-2.54RA(20) | 561-0503-2 20 | 16 | 24.79 | 17.78 | |
| HIF2E-20D-2.54RA(20) | 561-0504-5 20 | 20 | 29.87 | 22.86 | |
| HIF2E-26D-2.54RA(20) | 561-0505-8 20 | 26 | 37.49 | 30.48 | |
| HIF2E-30D-2.54RA(20) | 561-0506-0 20 | 30 | 42.57 | 35.56 | |
| HIF2E-34D-2.54RA(20) | 561-0507-3 20 | 34 | 47.65 | 40.64 | |
| HIF2E-40D-2.54RA(20) | 561-0508-6 20 | 40 | 55.27 | 48.26 | |
| HIF2E-50D-2.54RA(20) | 561-0509-9 20 | 50 | 67.97 | 60.96 | |
| HIF2E-60D-2.54RA(20) | 561-0510-8 20 | 60 | 80.67 | 73.66 | |

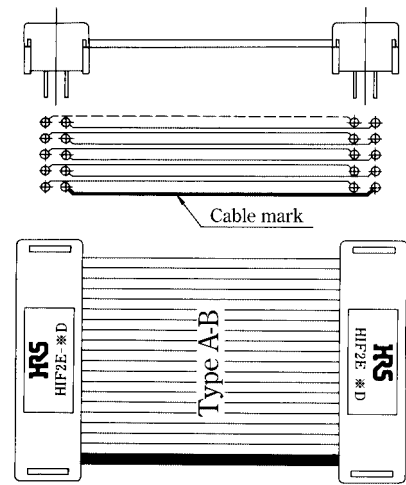
◆ Connection Circuit Diagram

HIF2E-∗D-2.54RB

● Type A-A

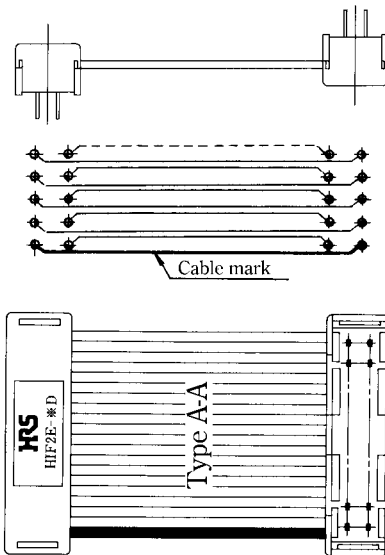


● Type A-B

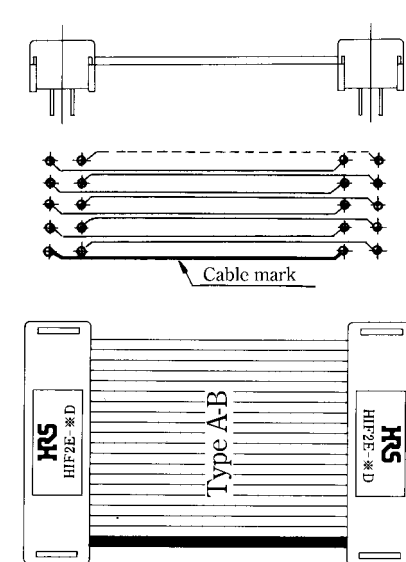


HIF2E-∗D-2.54RA

● Type A-A



● Type A-B



Note: In the above circuit connection diagram, the mark and character marking directions are optional.