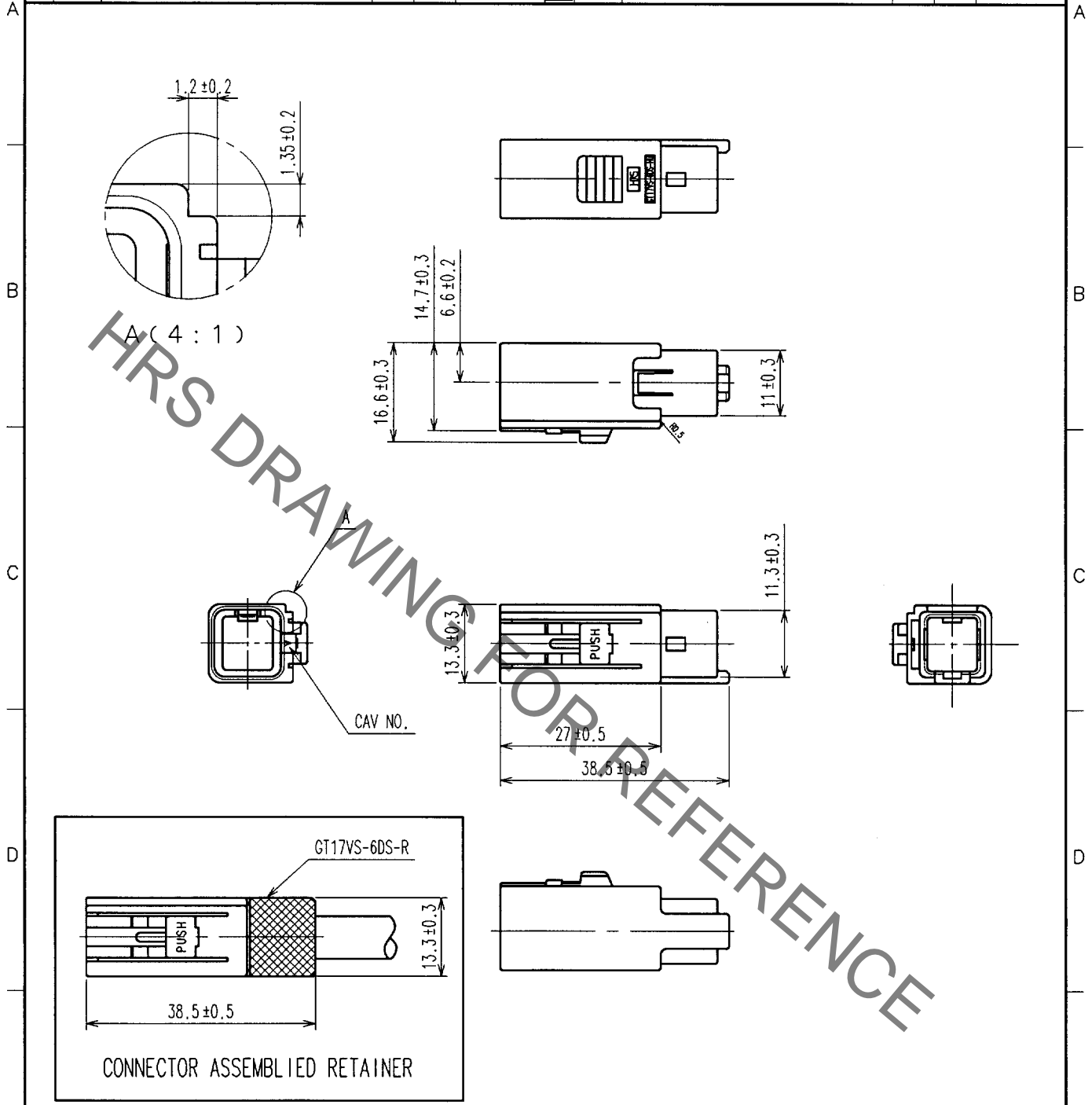


Jun.1.2020 Copyright 2020 HIROSE ELECTRIC CO., LTD. All Rights Reserved.
 In case of consideration for using Automotive equipment / device which demand high reliability, kindly contact our sales window correspondents.

1		2			3			4		
COUNT	DESCRIPTION OF REVISIONS	BY	CHKD	DATE	COUNT	DESCRIPTION OF REVISIONS	BY	CHKD	DATE	
△					△					
△					△					
△					△					



NOTE1. THIS CONNECTOR SHALL BE USED THAT RETAINER (CL767-0053-2) WAS ASSEMBLED.
 2. APPLICABLE CABLE DIA : ϕ 4.8 TO ϕ 5.2

1	PBT	LIGHT GRAY
NO.	MATERIAL	FINISH, REMARKS

CODE NO. (OLD)	DRAWN	DESIGNED	CHECKED	APPROVED	RELEASED
	N. HARUBAYASHI	N. HARUBAYASHI	K. Aoto	K. Aoto	
	04.10.21	04.10.21	04.10.22	04.10.22	

TO
 AMC

 SACLE 1 : 1 UNITS mm	DRAWING NO. EDC4-165622	PART NO. GT17VS-6DS-HU
	 HIROSE ELECTRIC CO., LTD.	CODE NO. CL767-0051-7

1/1
 (AMC)