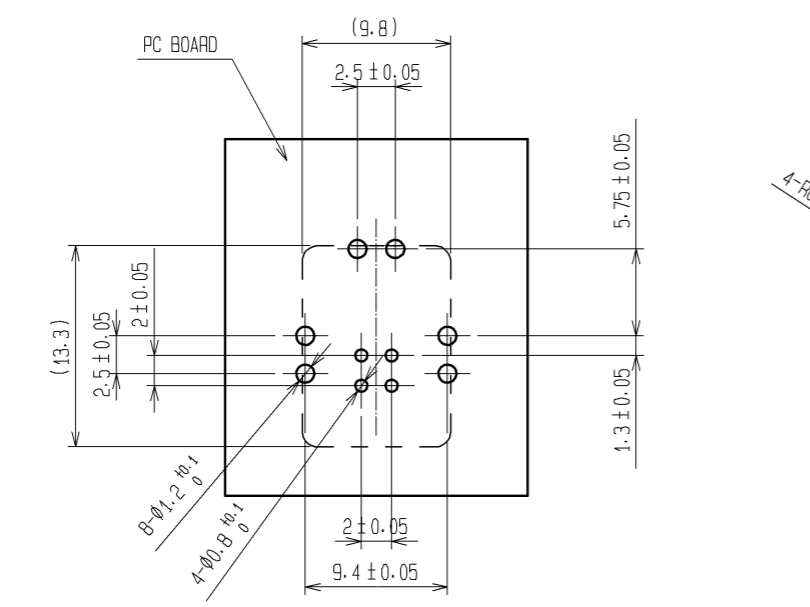
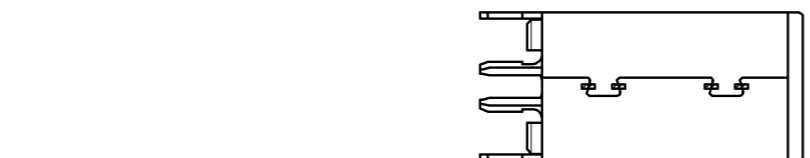
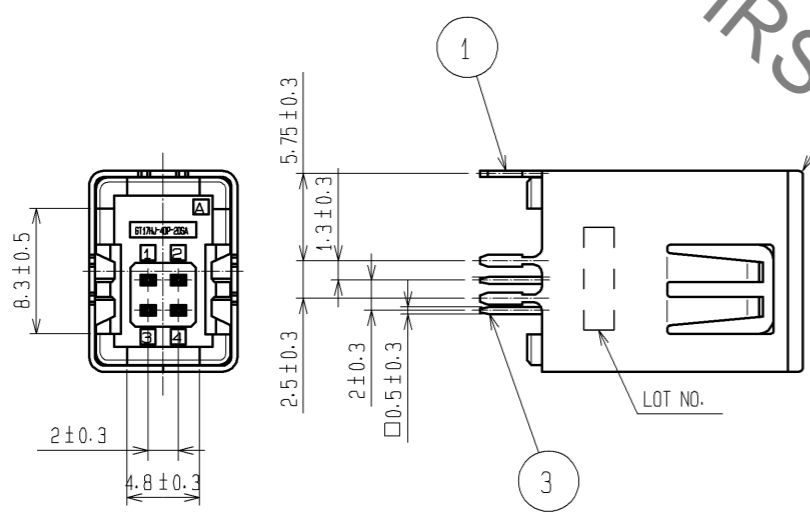
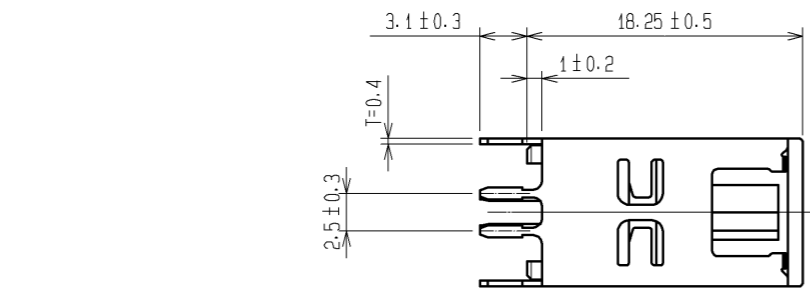
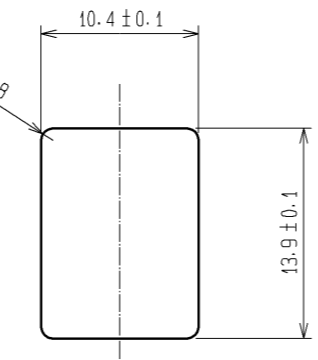
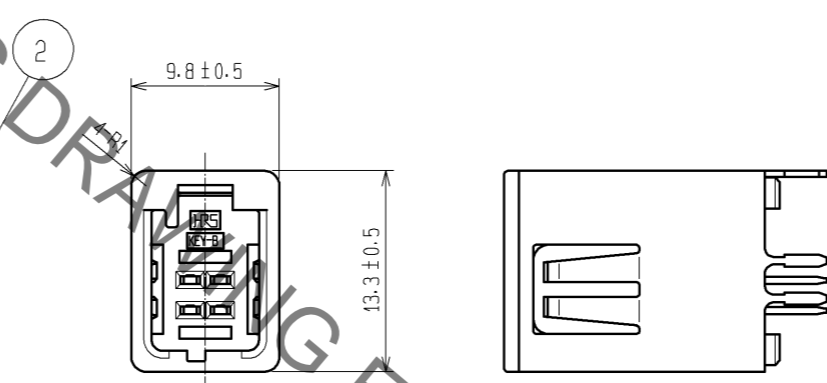


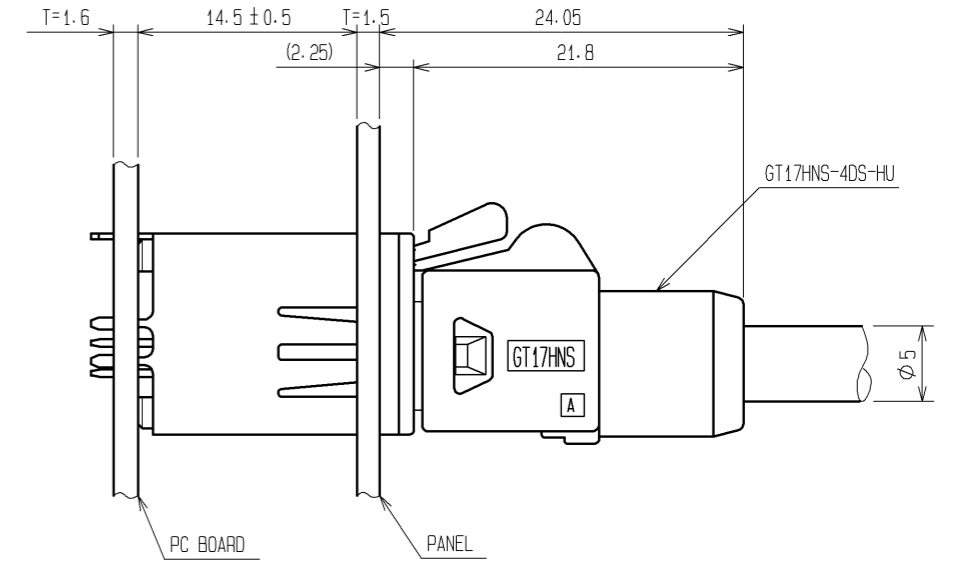
ELV, RoHS COMPLIANT



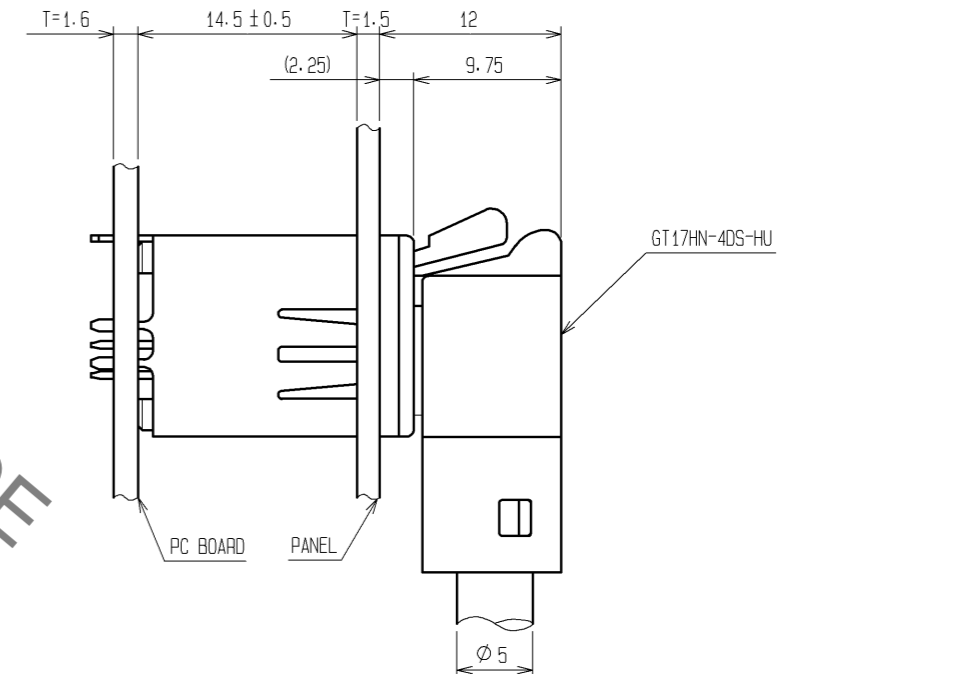
RECOMMENDED PC BOARD LAYOUT



RECOMMENDED PANEL CUTOUT



MATED CONNECTORS

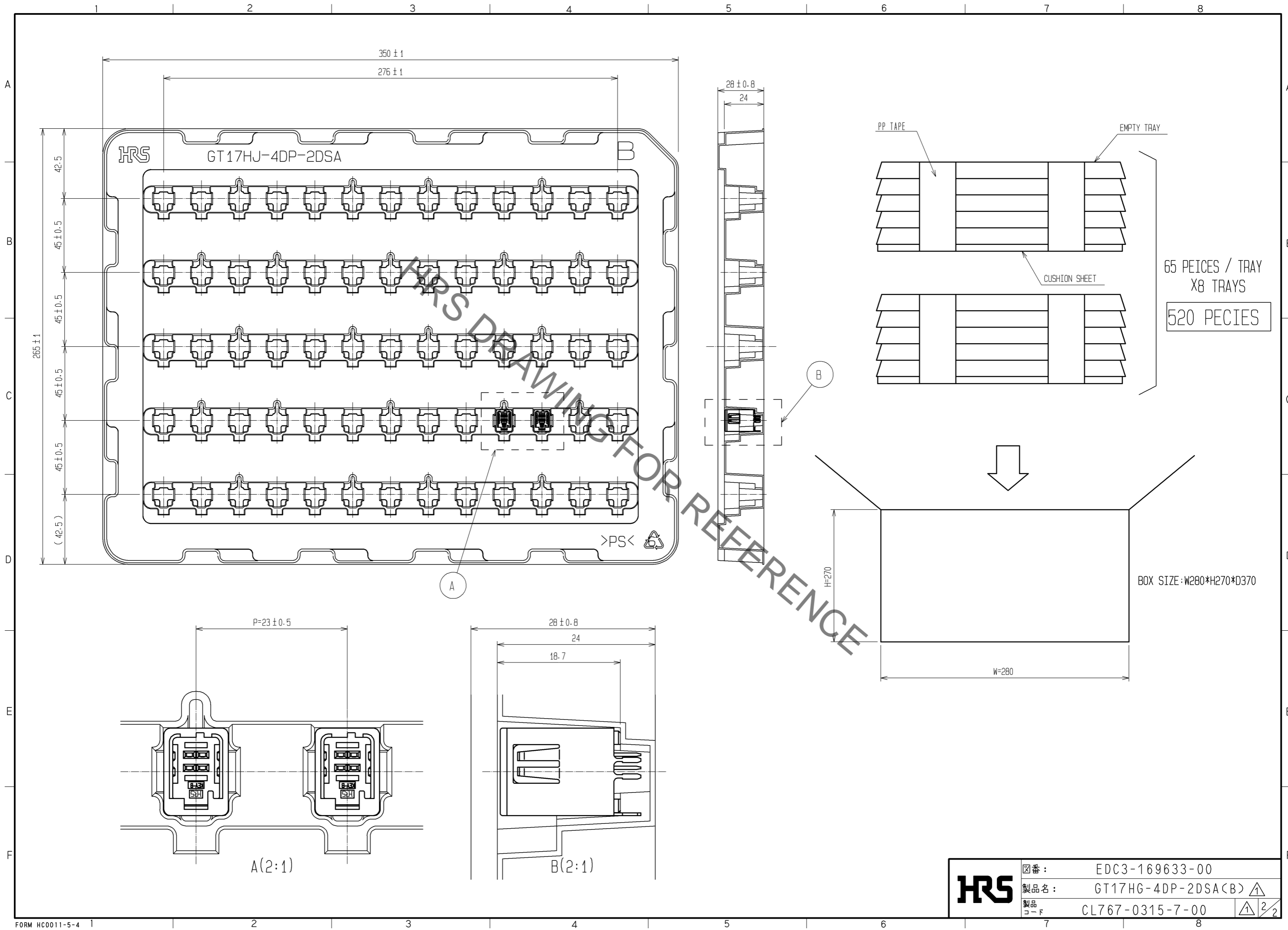


MATED CONNECTORS

2	PPS	GREEN			
1	COPPER ALLOY	TIN PLATED	3	BRASS	TIN PLATED
部番	材質	処理, 備考	部番	材質	処理, 備考
UNITS mm		SCALE 2 : 1	△の数 2	訂正記事 DIS-T-003020	設計 NK. IKUTA
HRS HIROSE ELECTRIC CO., LTD.		承認 : AR. SHIRAI 12.09.25	検 査 : AR. SHIRAI 12.09.25	設 計 : TS. KUBOTA 12.09.25	製 図 : TS. KUBOTA 12.09.25
		図番 : EDC3-169633-00	製品名 : GT17HG-4DP-2DSA(B)		
		製品コード : CL767-0315-7-00			
					年月日 12.11.09
					1/2

Jun.1.2020 Copyright 2020 HIROSE ELECTRIC CO., LTD. All Rights Reserved. In case of consideration for using Automotive equipment / device which demand high reliability, kindly contact our sales window correspondents.

Jun.1.2020 Copyright 2020 HIROSE ELECTRIC CO., LTD. All Rights Reserved.
 In case of consideration for using Automotive equipment / device which demand high reliability, kindly contact our sales window correspondents.



HRS	図番:	EDC3-169633-00	
	製品名:	GT17HG-4DP-2DSA(B)	△
	製品コード:	CL767-0315-7-00	△ 2/2