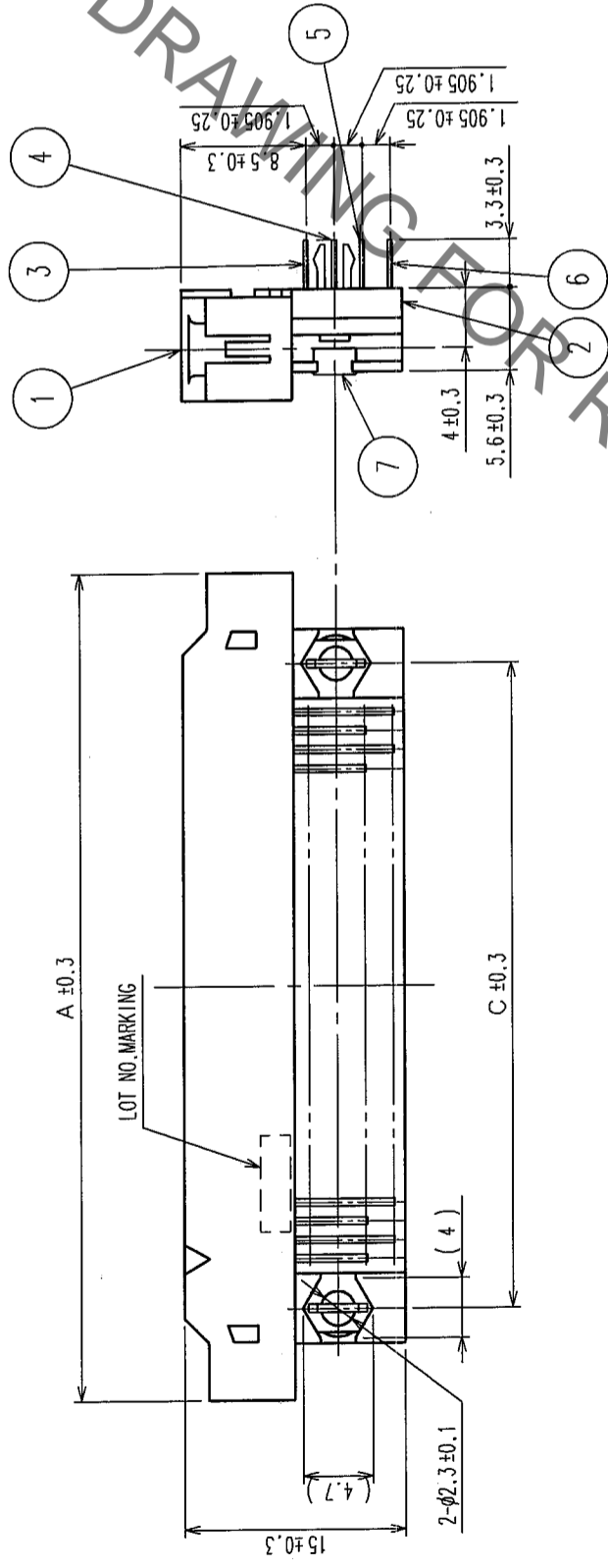
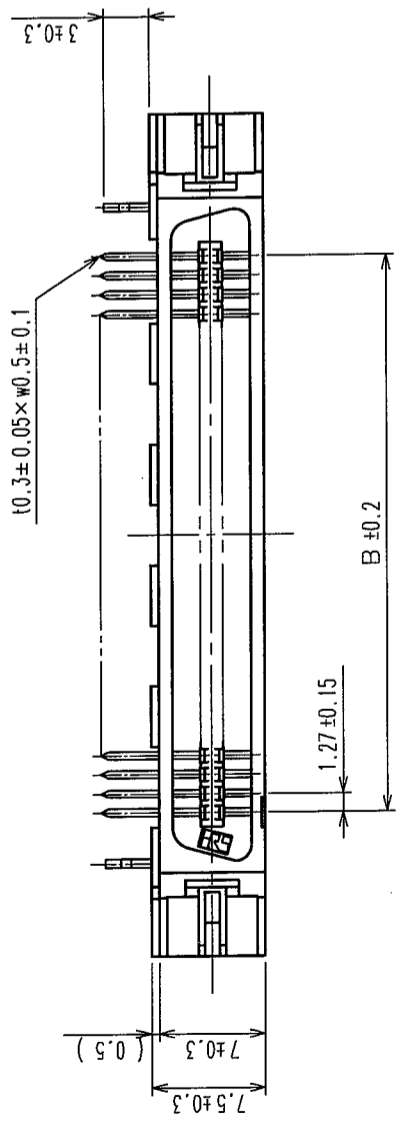


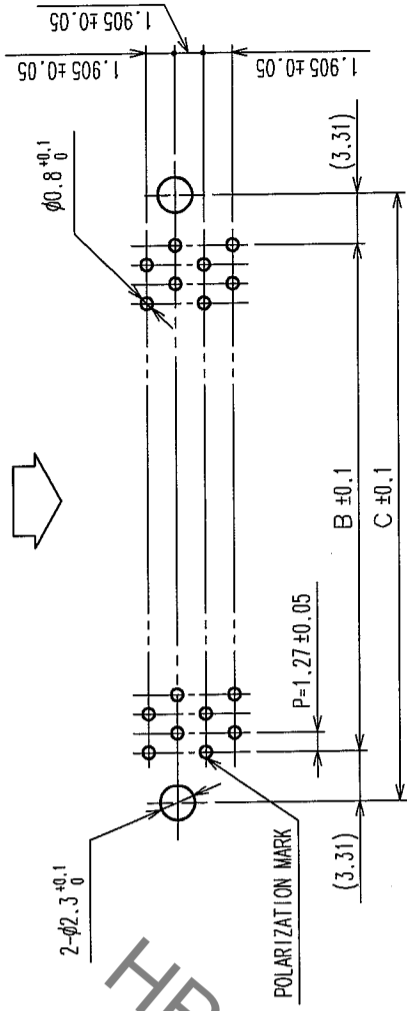
Jun.1.2020 Copyright 2020 HIROSE ELECTRIC CO., LTD. All Rights Reserved.
 In case of consideration for using Automotive equipment / device which demand high reliability, kindly contact our sales window correspondents.

COUNT	DESCRIPTION OF REVISIONS	BY	CHKD	DATE	COUNT	DESCRIPTION OF REVISIONS	BY	CHKD	DATE
△					△				
△					△				
△					△				



RECOMMEND PC BOARD HOLE PATTERN (MOUNTING SIDE)

MATING SIDE



PART No.	CODE No.	A	B	C	D
FX2B-20P-1.27DSL(71)	CL572-0751-8-71	20	30.33	11.43	18.05
FX2B-32P-1.27DSL(71)	CL572-0752-0-71	32	37.95	19.05	25.67
FX2B-40P-1.27DSL(71)	CL572-0753-3-71	40	43.03	24.13	30.75
FX2B-52P-1.27DSL(71)	CL572-0754-6-71	52	50.65	31.75	38.37
FX2B-60P-1.27DSL(71)	CL572-0755-9-71	60	55.73	36.83	43.45
FX2B-68P-1.27DSL(71)	CL572-0756-1-71	68	60.81	41.91	48.53
FX2B-80P-1.27DSL(71)	CL572-0757-4-71	80	68.43	49.53	56.15
FX2B-100P-1.27DSL(71)	CL572-0758-7-71	100	81.13	62.23	68.85

NOTES
 1. STANDOFF DIFFERS ACCORDING TO PRODUCTS.
 2. THE DIMENSIONS IN PARENTHESES ARE FOR REFERENCE.
 3. NUMBER OF PIN.

NO.	MATERIAL	FINISH,	REMARKS	NO.	MATERIAL	FINISH,	REMARKS
7	PHOSPHOR BRONZE	TIN-PLATING		3~6	PHOSPHOR BRONZE		
1, 2	POLYAMIDE	BLACK	UL94V-0				
CODE NO. (OLD) CL				CONTACT AREA: GOLD 0.2μm min DIP AREA: TIN-PLATING 2μm min UNDER PLATING: NICKEL 2μm min			
DRAWN I. OKAYAMA				DESIGNED K. NAKAMURA			
DATE 04.06.02				CHECKED H. OKAWA			
				APPROVED H. OKAWA			
				RELEASED			

DRAWING NO. EDC3-082284-21	PART NO. FX2B-***P-1.27DSL(71)
SCALE FREE	CODE NO.
UNITS mm	CL572

HRS HIROSE ELECTRIC CO., LTD.