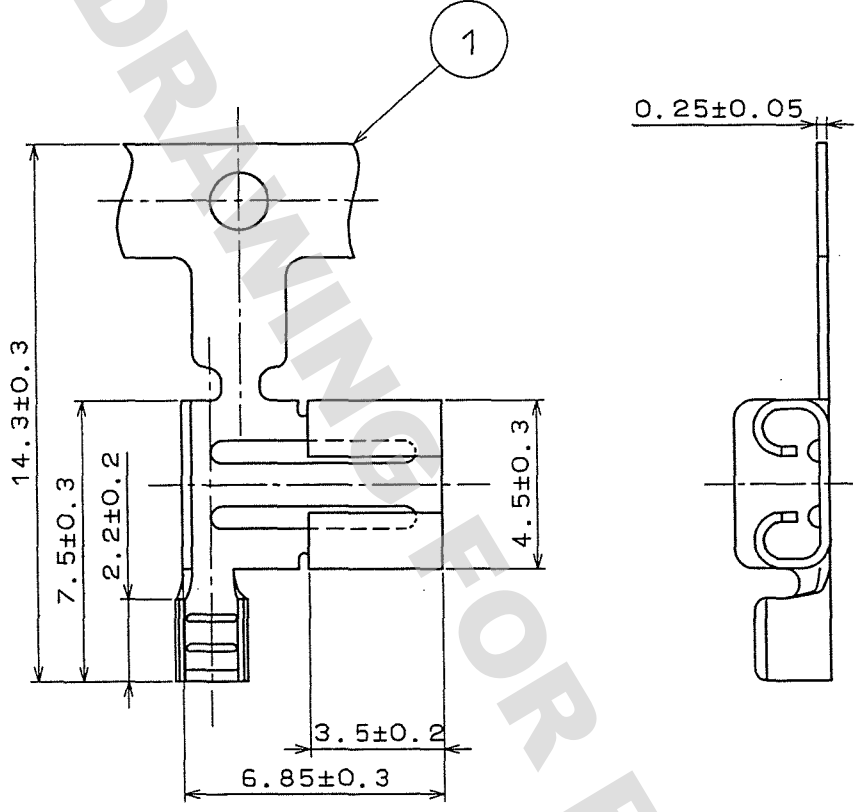


1			2			3			4		
COUNT	DESCRIPTION OF REVISIONS	BY	CHKD	DATE	COUNT	DESCRIPTION OF REVISIONS	BY	CHKD	DATE		
△					△						
△					△						
△					△						

ELV. RoHS COMPLIANT



NOTE 1. 1 REEL CONSISTS OF 5000 CONTACTS.

DRAWING FOR REFERENCE: This is subject to change without notice  
08/11/2012

TO

NO. MATERIAL FINISH, REMARKS		1 PHOSPHOR BRONZE TIN PLATED			
CODE NO. (OLD) CL		DRAWN S. KURIYA 06.12.28	DESIGNED T. TAKAHASHI 96.10.2		
		CHECKED <i>K. Sato</i> 06.12.28	APPROVED <i>K. Sato</i> 06.12.28		
DRAWING NO. EDC4-165239-01		PART NO. GT15T-2024SCF(A)(70)			
UNITS mm		CODE NO. CL765-0008-5-70			
 HIROSE ELECTRIC CO., LTD.		<table border="1"> <tr> <td>1</td> <td>1</td> </tr> </table>		1	1
1	1				