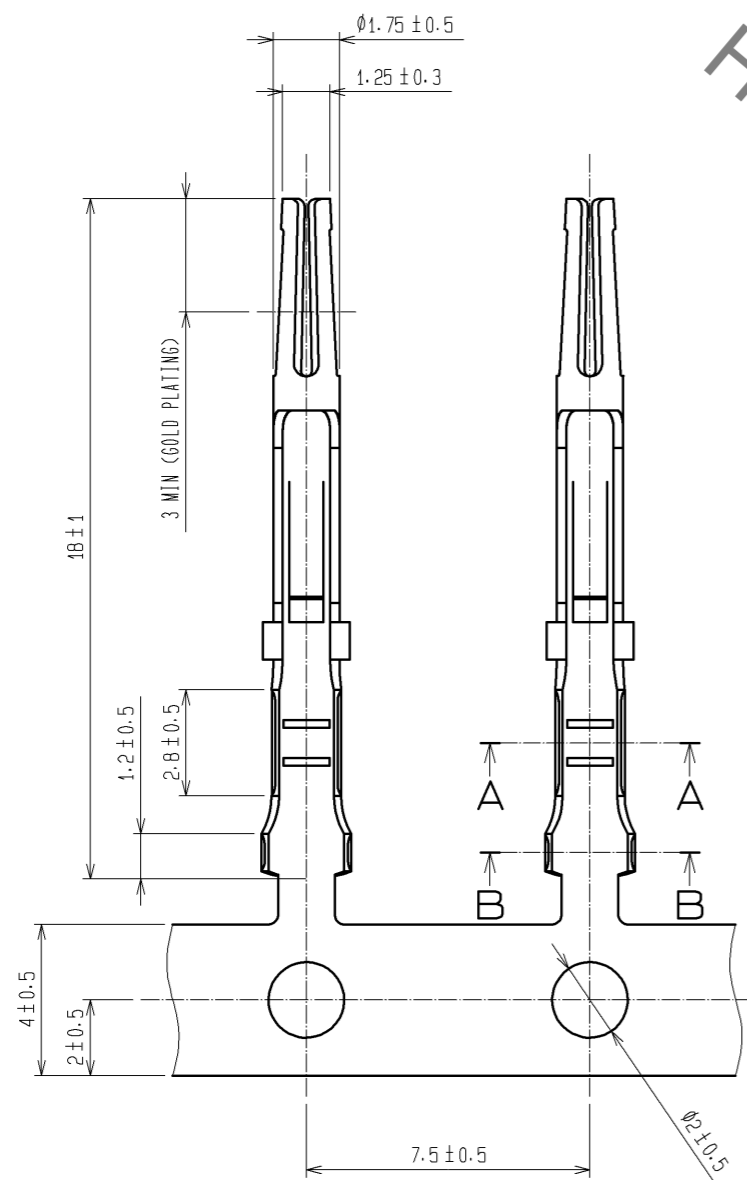
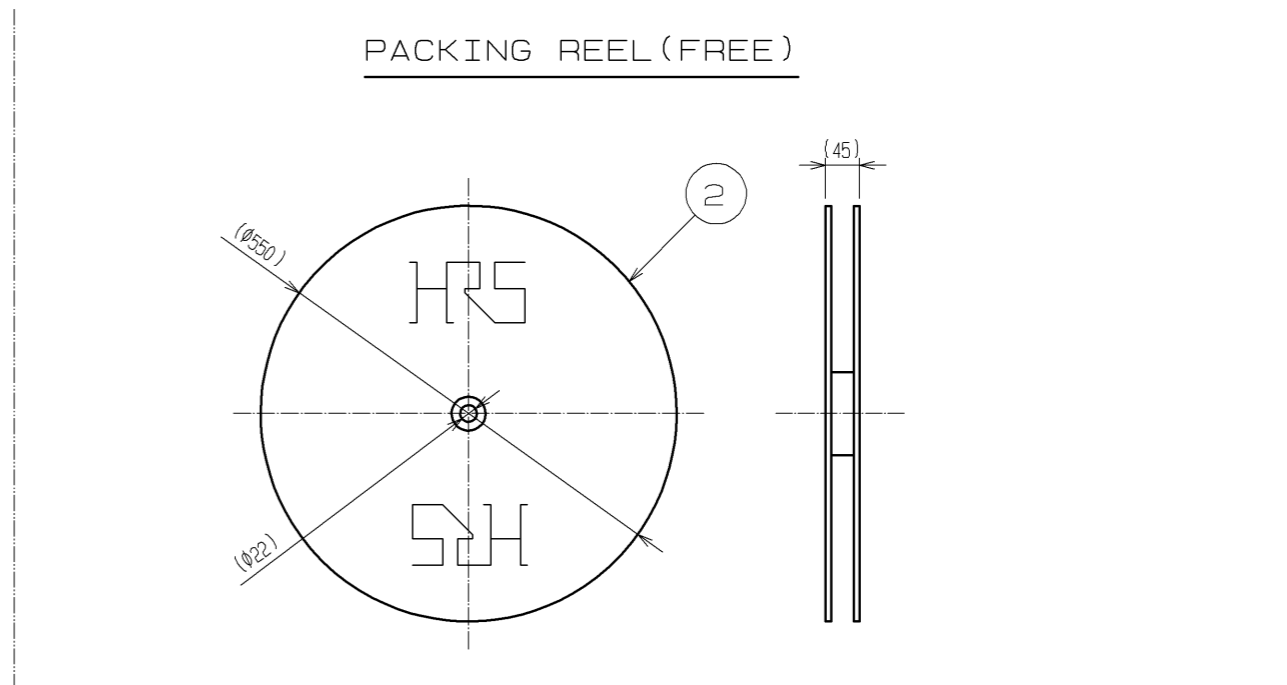


Sep.1.2019 Copyright 2019 HIROSE ELECTRIC CO., LTD. All Rights Reserved.
In case of consideration for using Automotive equipment / device which demand high reliability, kindly contact our sales window correspondents.



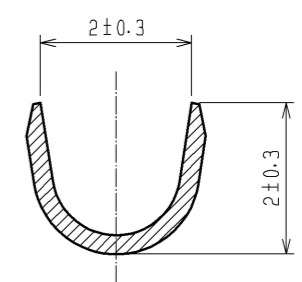
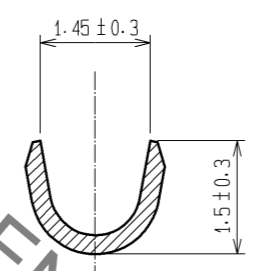
NOTE 1. PER REEL 10000 CONTACTS.

HRS DRAWING FOR REFERENCE



A-A (10:1)

B-B (10:1)



1	PHOSPHOR BRONZE	CONTACT AREA : GOLD PLATING 0.2µm min UNDER : NICKEL PLATING 1µm min				
NO.	MATERIAL	FINISH . REMARKS	NO.	MATERIAL	FINISH . REMARKS	
UNITS mm		SCALE 5 : 1		DESCRIPTION OF REVISIONS	DESIGNED	CHECKED DATE
HRS HIROSE ELECTRIC CO., LTD.		APPROVED : YH. ENAMI	08.12.03	DRAWING NO. EDC3-009355-01		
		CHECKED : HO. MIWA	08.12.03	PART NO. CD-SC-221		
		DESIGNED : YH. MAMADA	08.12.02	CODE NO. CL211-0204-0-00		
		DRAWN : YH. MAMADA	08.12.02			