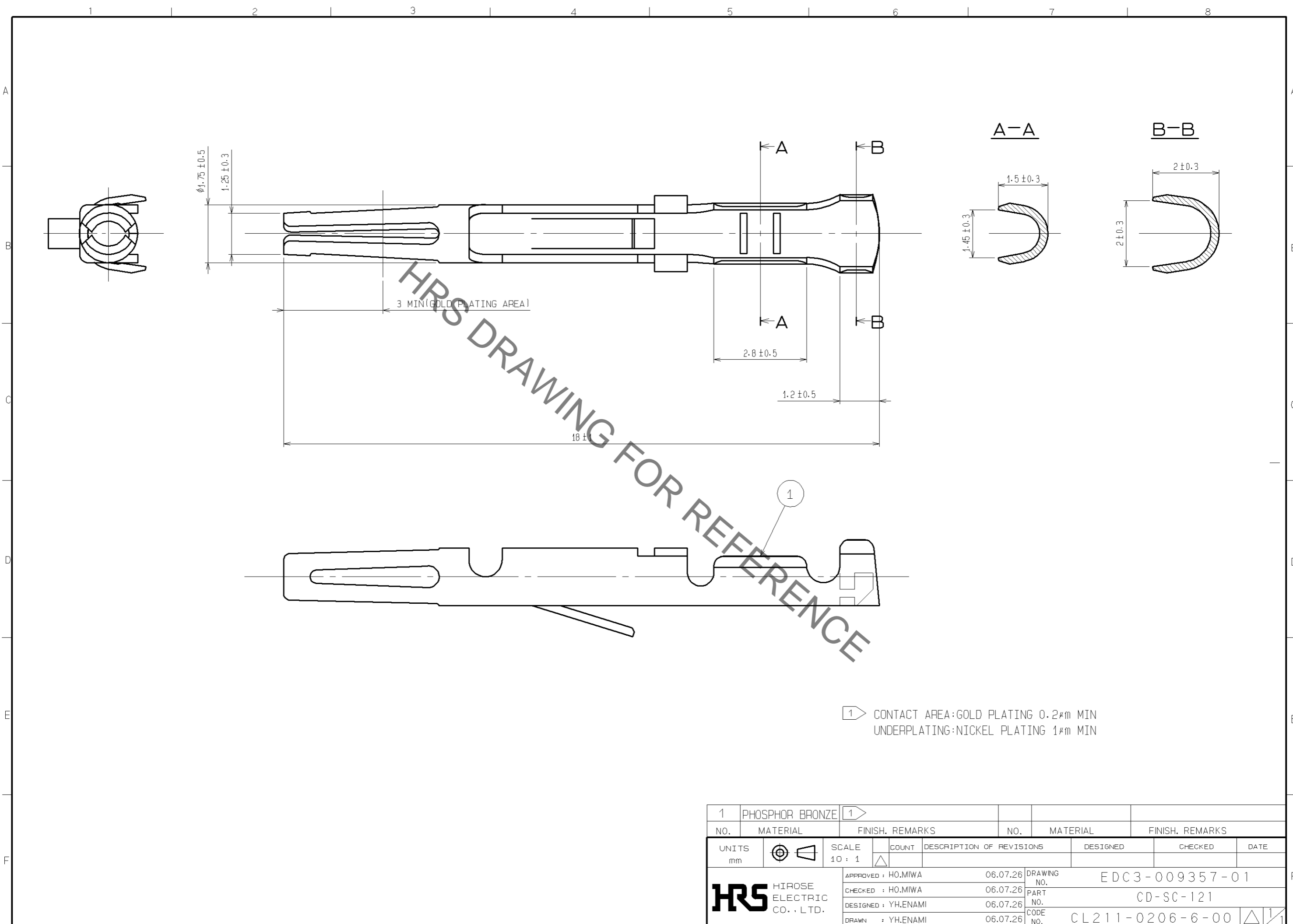


Oct.1.2019 Copyright 2019 HIROSE ELECTRIC CO., LTD. All Rights Reserved.
 In case of consideration for using Automotive equipment / device which demand high reliability, kindly contact our sales window correspondents.



HRS DRAWING FOR REFERENCE

1 CONTACT AREA: GOLD PLATING 0.2μm MIN
 UNDERPLATING: NICKEL PLATING 1μm MIN

1	PHOSPHOR BRONZE	1						
NO.	MATERIAL	FINISH.	REMARKS	NO.	MATERIAL	FINISH.	REMARKS	
UNITS	⊕	SCALE	COUNT	DESCRIPTION OF REVISIONS		DESIGNED	CHECKED	DATE
mm		10 : 1	△					
HRS HIROSE ELECTRIC CO., LTD.		APPROVED :	H0.MIWA	06.07.26	DRAWING NO. EDC3-009357-01			
		CHECKED :	H0.MIWA	06.07.26	PART NO. CD-SC-121			
		DESIGNED :	YH.ENAMI	06.07.26	CODE NO. CL211-0206-6-00			
		DRAWN :	YH.ENAMI	06.07.26				