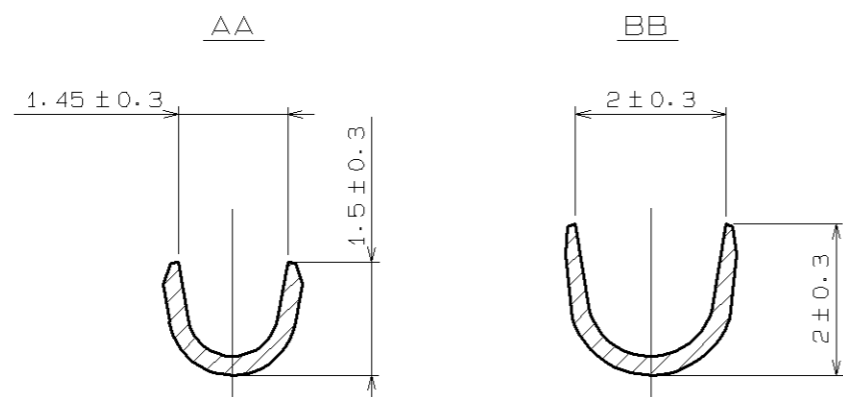
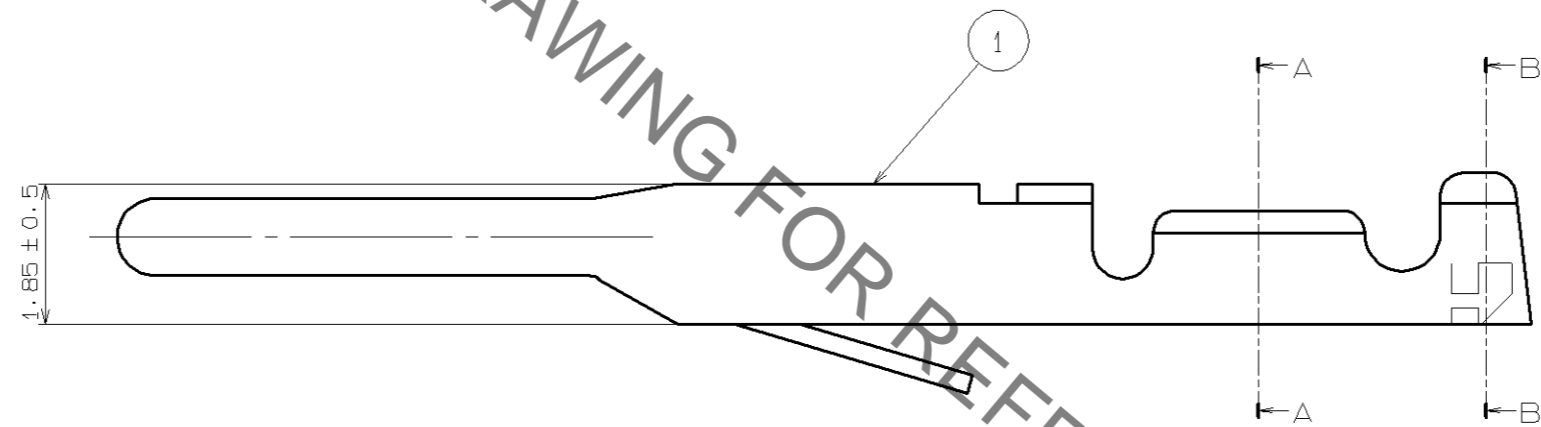
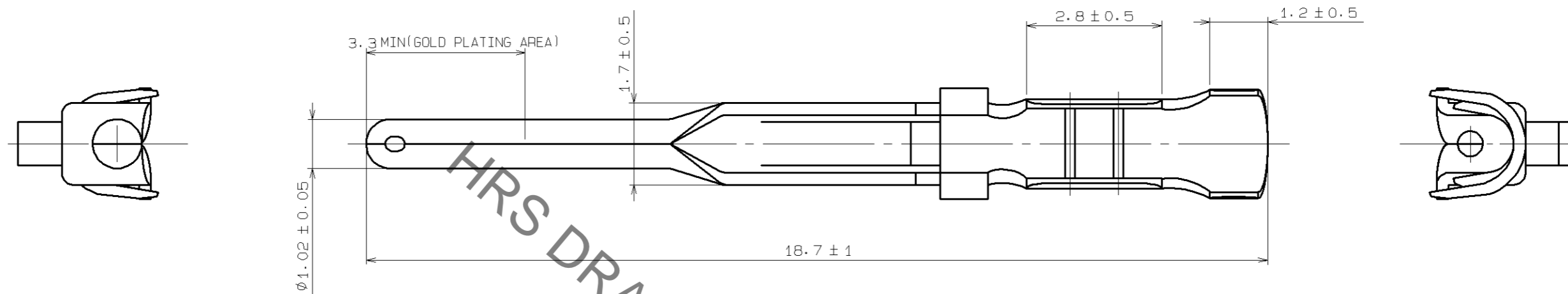


Oct.1.2019 Copyright 2019 HIROSE ELECTRIC CO., LTD. All Rights Reserved.  
 In case of consideration for using Automotive equipment / device which demand high reliability, kindly contact our sales window correspondents.



1 CONTACT AREA: GOLD PLATING 0.2µm MIN  
 UNDERPLATING: NICKEL PLATING 1µm MIN

1	PHOSPHOR BRONZE	1					
NO.	MATERIAL	FINISH. REMARKS	NO.	MATERIAL	FINISH. REMARKS		
UNITS	⊕	SCALE	△	DESCRIPTION OF REVISIONS			DESIGNED
mm		10 : 1		COUNT	CHECKED	DATE	
<b>HRS</b> HIROSE ELECTRIC CO., LTD.		APPROVED : HO.MIWA	06.07.26	DRAWING NO. EDC3-009353-01			
		CHECKED : HO.MIWA	06.07.26	PART NO. CD-PC-121			
		DESIGNED : YH.ENAMI	06.07.26	CODE NO. CL211-0202-5-00			△ 1/1
		DRAWN : YH.ENAMI	06.07.26				