

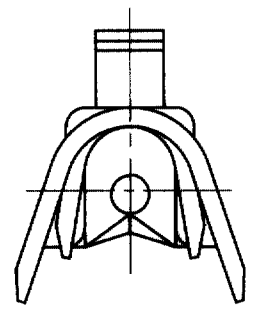
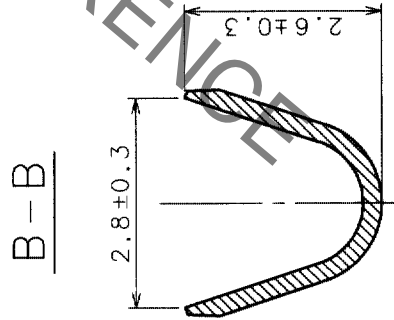
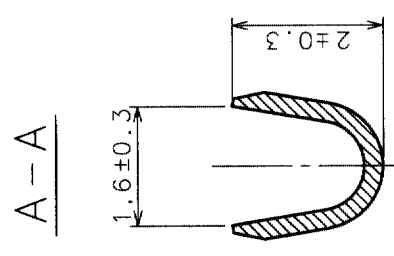
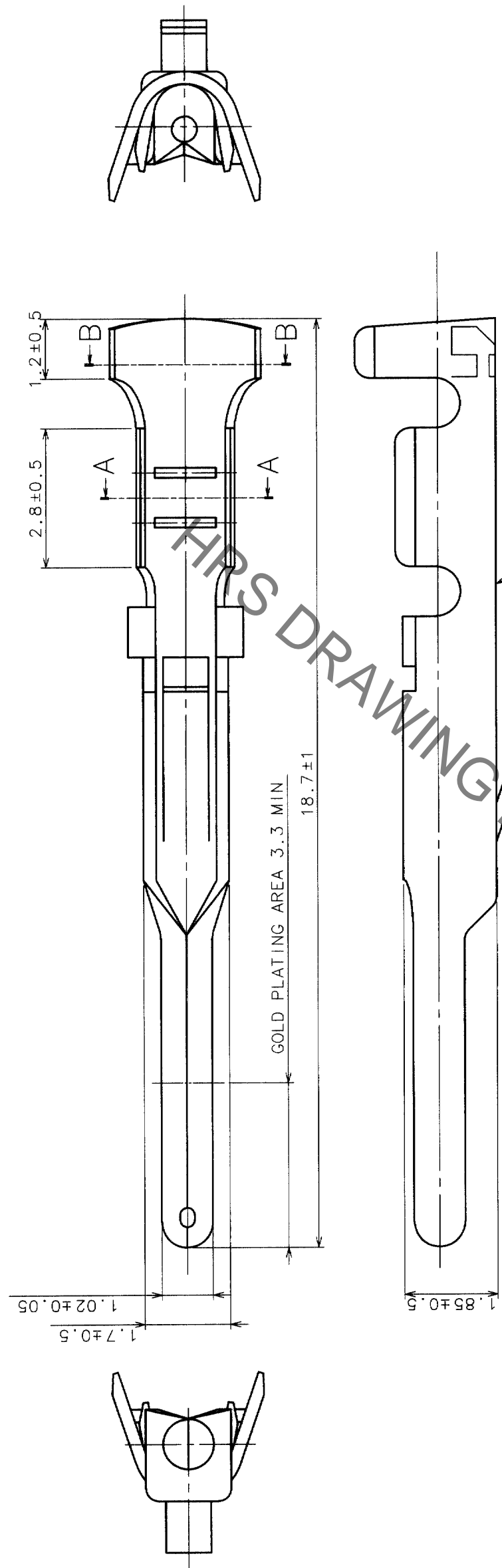
Oct.1.2019 Copyright 2019 HIROSE ELECTRIC CO., LTD. All Rights Reserved.
 In case of consideration for using Automotive equipment / device which demand high reliability, kindly contact our sales window correspondents.

7

8

| COUNT | DESCRIPTION OF REVISIONS | BY | CHKD | DATE |
|-------|--------------------------|----|------|------|
| △ | | | | |
| △ | | | | |
| △ | | | | |

1



| | |
|----|--|
| TO | |
| Q1 | |
| | |
| | |

| NO. | MATERIAL | FINISH, REMARKS | NO. | MATERIAL | FINISH, REMARKS |
|-----|-----------------|-----------------|-----|----------|-----------------|
| 1 | PHOSPHOR BRONZE | | | | |

| | | |
|---|--------------------|--------------------|
| CONTACT AREA: GOLD 0.2μm min UNDER PLATING: NICKEL 1μm min | APPROVED | RELEASED |
| | <i>M. Shingema</i> | <i>M. Shingema</i> |
| | 03.3.31 | 03.3.31 |

| | | | |
|-------------|-------------|----------|--------------|
| DRAWING NO. | EDC3-009096 | PART NO. | CD-PC-111 |
| SCALE | 10 : 1 | CODE NO. | CL211-0185-8 |
| UNITS | MM | | |