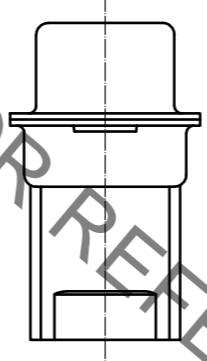
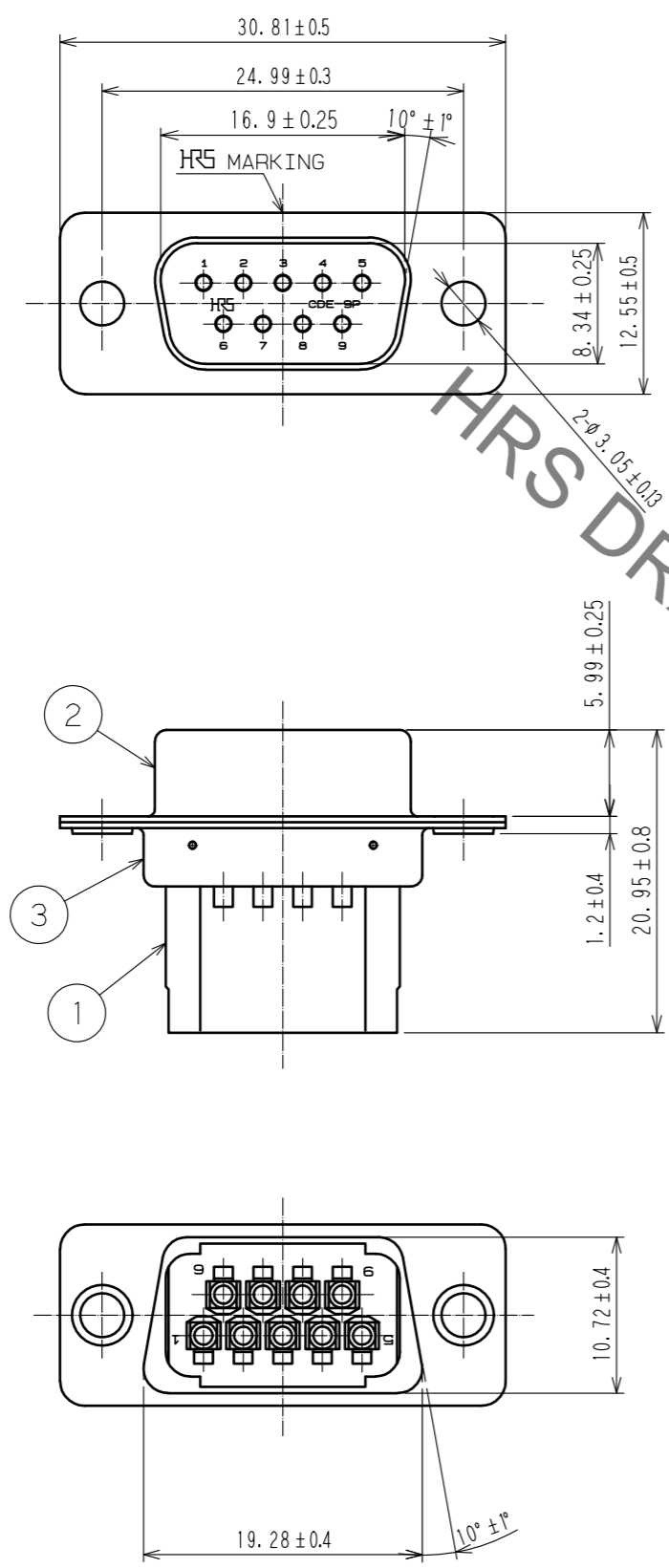


Oct.1.2019 Copyright 2019 HIROSE ELECTRIC CO., LTD. All Rights Reserved.
 In case of consideration for using Automotive equipment / device which demand high reliability, kindly contact our sales window correspondents.



HRS DRAWING FOR REFERENCE

2	STEEL	NICKEL PLATING 2μm			
1	PBT	UL94V-0 BLACK	3	STEEL	NICKEL PLATING 2μm
NO.	MATERIAL	FINISH . REMARKS	NO.	MATERIAL	FINISH . REMARKS
UNITS mm		SCALE 2 : 1		COUNT	DESCRIPTION OF REVISIONS
HRS HIROSE ELECTRIC CO., LTD.		APPROVED : HO. MIWA	06. 07. 26	DRAWING NO. EDC3-009097-01	
		CHECED : HO. MIWA	06. 07. 26	PART NO. CDE-9P(05)	
		DESIGNED : YH. ENAMI	06. 07. 26	CODE NO. CL211-0186-0-05	
		DRAWN : YH. ENAMI	06. 07. 26		