

Introduction

The transceiver from Henrich is small form factor pluggable module with standard LC duplex connector for fiber communications. This module is designed for single mode fiber and operates at a nominal wavelength of 1310 nm with cost effective and high performance. It is with the SFP 20-pin connector to allow hot plug capability.

Specifications

Absolute Maximum Ratings	
Supply Voltage	0~V
Storage Temperature	-40 to +85°C
Operating Temperature	to +85°C

General Specifications	
Data Rate	50 to 200Mbps, Typ:
Supported Link Length on 9/125µm SMF Supply	155Mbps 20Km
Current	Max:00mA
Power Dissipation	Max:1000mW

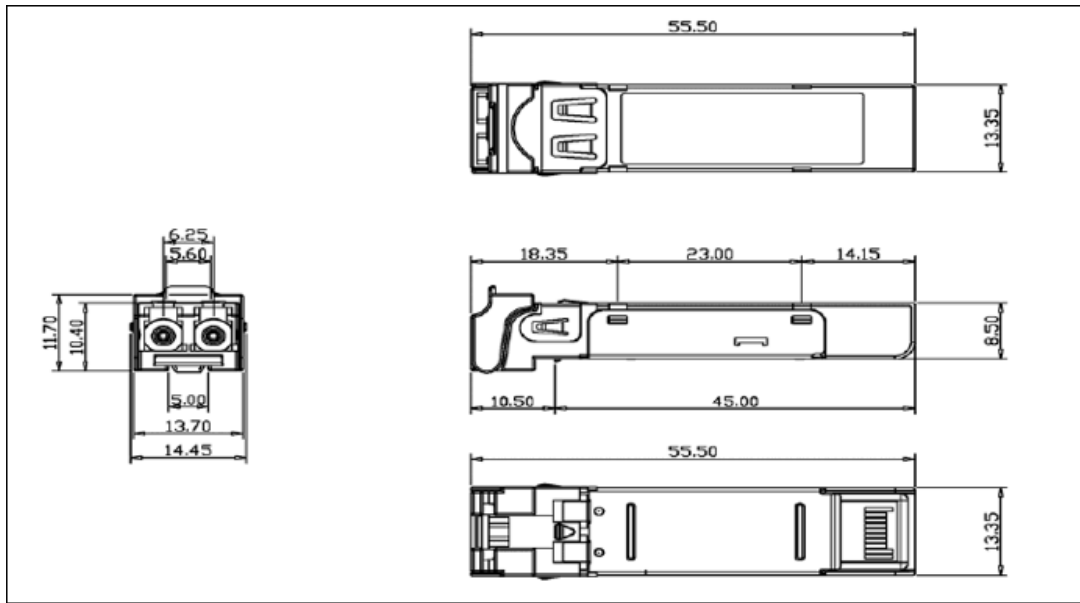
Transmitter Electrical Characteristics	
Supply Voltage	3.15 to 3.45V, type:3.3V
Data Differential Input Voltage	900 to 2000mV
Disable Input Voltage	-1.81 to -1.48V
Enable Input Voltage	-1.16 to -0.88V

Transmitter Optical Characteristics	
Output Optical Power on 9µm SMF :	-15 to -5dBm
Center Wavelength :	1280 to 1340nm, Type:1310
Spectral Width (RMS)	Type: 2nm
Optical Rise Time (20%-80%)	Max: 2ns
Optical Fall Time (20%-80%)	Max: 2ns
Extinction Ratio	Min: 8.2dB
POut@TX Disable Asserted	Max:-45dBm

Receiver Electrical Characteristics	
Supply Voltage	3.15 to 3.45V, type:3.3V
Data Differential Output Voltage	500 to 1200mV
Data Output Rise Time (20%-80%)	Max: 2ns
Data Output Fall Time (20%-80%)	Max: 2ns

Receiver Optical Characteristics	
Maximum Receiver Power	Min: -3dBm
Receiver Sensitivity	Type: -34dBm
Operating Wavelength	1100 to 1600nm
Signal Detect-Asserted	Max:- 34dBm avg.
Signal Detect-Deasserted	Min: -46dBm avg.
Signal Detect-Hysteresis	Min:0.5dB

Dimension drawings



Units:mm

Ordering Information

SFP-20-W	Single Mode Fiber Port with LC Connector, 20KM, 155Mbps, Industrial Wide Temperature:-40°C to +85°C.
----------	--