

Introduction

Supports 20-pin connector to allow hot plug capability.

Supports 20-pin connector to allow hot plug capability.

Supports 20-pin connector to allow hot plug capability.

Supports 20-pin connector to allow hot plug capability.

6SHFLEDWLRV

Absolute Maximum Ratings	
Supply Voltage	0~4V
Storage Temperature	WR
Operating Temperature	WR
Lead Soldering Limits	MAX 260/107sec

Data Rate	50 to 200Mbps, type: 155Mbps
Supported Link Length	2Km
Supply Current	Max: 300mA
Power Dissipation	1000mW

Transmitter Electrical Characteristics	
Supply Voltage	3.15 to 3.45V, Typ: 3.3V
Data Differential Input Voltage	400 to 2000mV
Disable Input Voltage	-1.81 to -1.48V
Enable Input Voltage	-1.16 to -0.88V

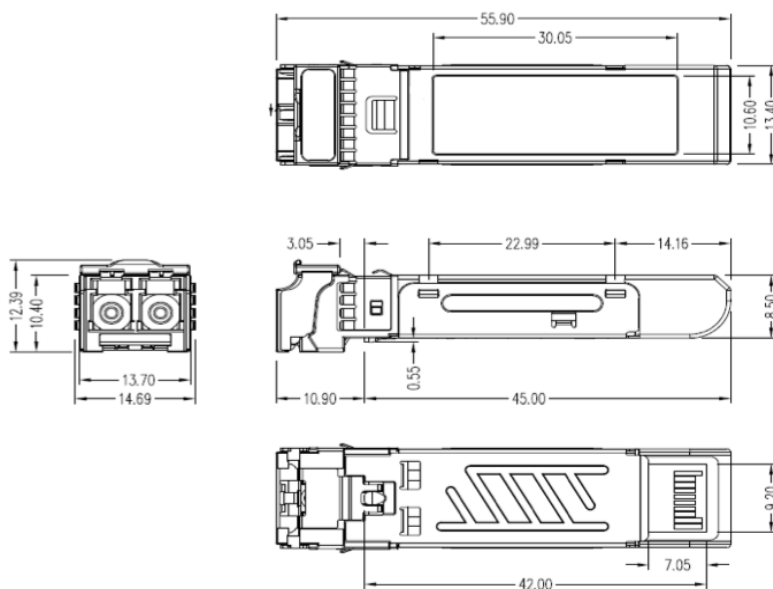
Transmitter Optical Characteristics	
MMF :	-0 to -dBm
Center Wavelength	to nm, Typ: 850nm
Spectral Width(RMS)	Max: nm
Optical Rise Time (20%-80%)	Max: 2ns
Optical Fall Time (20%-80%)	Max: 2ns
Extinction Ratio	Min: 9dB

32XW7LMDEOHVHUWH	0D
------------------	----

Receiver Electrical Characteristics	
Supply Voltage	3.15 to 3.45V, typ: 3.3V
Data Differential Output Voltage	500 to 1200mV
Receiver LOS/SD Output Voltage-High	Min:2.0V
Receiver LOS/SD Output Voltage-Low	0 to 0.8V
Data Output Rise Time (20%-80%)	Max:2ns
Data Output Fall Time (20%-80%)	Max:2ns

Receiver Optical Characteristics	
Maximum Receiver Power	Min: -3dBm Max:
Receiver Sensitivity	-dBm
Operating Wavelength	to nm
Optical Return Loss	Max:12dB
Signal Detect-Asserted	Max: -28dBm avg.
Signal Detect-Deasserted	Min: -46dBm avg.
Signal Detect-Hysteresis	Min: 0.5dB

Dimension drawings



Units:mm

Ordering Information

SFP-W Series

SFP-W	Multi-Mode Fiber Port with LC Connector, TX 1310nm 2KM 155Mbps, Industrial Wide Temperature:-40°C to +85°C.
-------	---