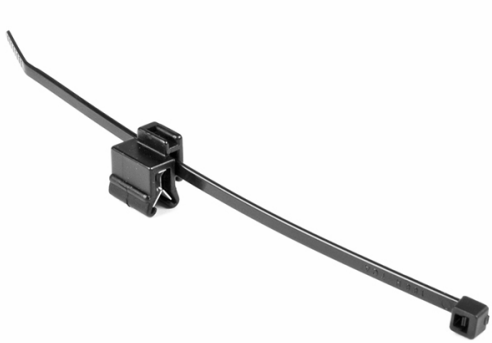


Specification Sheet

Part Number: 156-00468



2-Piece Cable Tie & Edge Clip, 8.0" Long, EC5B, 1–3 mm Panel, 50lb, PA66UV/PA66HIRHSUV, Black, 100/pkg

Article Number 156-00468

Type T50REC5B

Color Black (BK)

Features & Benefits

- Edge Clip applies easily to plastic and metal sheets without the need for a mounting hole.
- Edge Clip provides low insertion force and high extraction force ideal for assembly environments.

Quantity Per bag

Product Description	HellermannTyton's Two Piece Edge Clip with Cable Tie Assemblies are designed specifically to route bundles by securing them to the edge of a plastic or metal sheet without the need for a mounting hole. The clip is easy to secure and the extraction force is high due to the integrated metal clamp that holds the edge clip in place.
Short Description	2-Piece Cable Tie & Edge Clip, 8.0" Long, EC5B, 1–3 mm Panel, 50lb, PA66UV/PA66HIRHSUV, Black, 100/pkg
Global Part Name	T50REC5B-PA66UV/PA66HIRHS-BK
Minimum Tensile Strength (Imperial)	50.0
Minimum Tensile Strength (Metric)	225.0
Length L (Imperial)	8.0
Length L (Metric)	202.0
Fixation Method	EdgeClip, sideways, assembled, 2 piece
Identification Plate Position	none
Releasable Closure	No
Variant	Inside Serrated
Width W (Imperial)	0.18
Width W (Metric)	4.6
Bundle Diameter Min (Imperial)	0.06

Bundle Diameter Min (Metric)	1.5
Bundle Diameter Max (Imperial)	1.97
Bundle Diameter Max (Metric)	50.0
Thickness T (Imperial)	0.05
Thickness T (Metric)	1.2
Height H (Imperial)	0.61
Height H (Metric)	15.5
Panel Thickness Min(Imperial)	0.04
Panel Thickness Max(Imperial)	0.12
Panel Thickness Min (Metric)	1.0
Panel Thickness Max (Metric)	3.0
Material	Polyamide 6.6 UV-stabilized (PA66UV) Polyamide 6.6, high impact modified, heat stabilized (PA66HIRHS)
Material Shortcut	PA66UV PA66HIRHS
Material Cable Tie	Polyamide 6.6 UV-stabilized (PA66UV)
Flammability	UL 94 HB

Operating Temperature (Metric)	-40°F to +221°F (-40°C to +105°C) -40°F to +257°F (-40°C to +125°C)
ROHS Complaint	Yes
Package Quantity(Imperial)	100
Package Quantity (Metric)	100
Customs Number	3926909988
Weight (Metric)	0.00281227
Weight (Imperial)	0.0062