

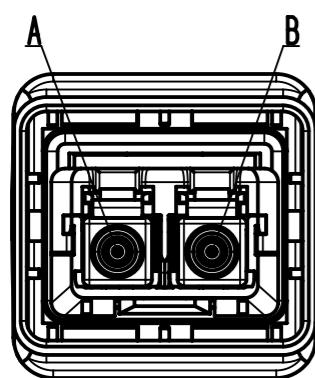
- Protection level: IP67/65  
 - Temperature range: -40° C...+70°

X (2:1)

(without protection cap)

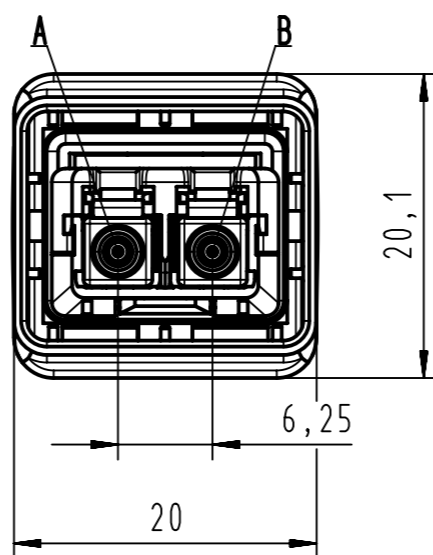
Y (2:1)

(without protection cap)



Loading-Plan

A — blue — B  
 B — orange — A



Cont. no.	Part. no.	Type of cable	Dim a[mm]
10	33582313000017	FO breakout cable multimode	300000±3000
9	33582311000017	FO breakout cable multimode	100000±1000
8	33582310600017	FO breakout cable multimode	60000±600
7	33582310500017	FO breakout cable multimode	50000±500
6	33582310400017	FO breakout cable multimode	40000±400
5	33582310250017	FO breakout cable multimode	25000±250
4	33582310200017	FO breakout cable multimode	20000±200
3	33582310100017	FO breakout cable multimode	10000±100
2	33582310050017	FO breakout cable multimode	5000±50
1	33582310010017	FO breakout cable multimode	1000±15

All rights reserved Department EC PD - RO HARTING Electronics GmbH D-32339 Espelkamp		All Dimensions in mm Original Size DIN A3 Scale 1.5:1 Free size tol.	Created by DRAGHICI Inspected by STOICA Standardisation SCHREIER Date 2012-09-06 State Final Release	Title Fiber optic cable assembly Type TB Number 3358231XXX0017	Ref. Sub. Doc-Key / ECH-Nr. 100506253/UGD/003/A 50000055008 Rev. A Page 1/1
---	--	---	--	--	--