

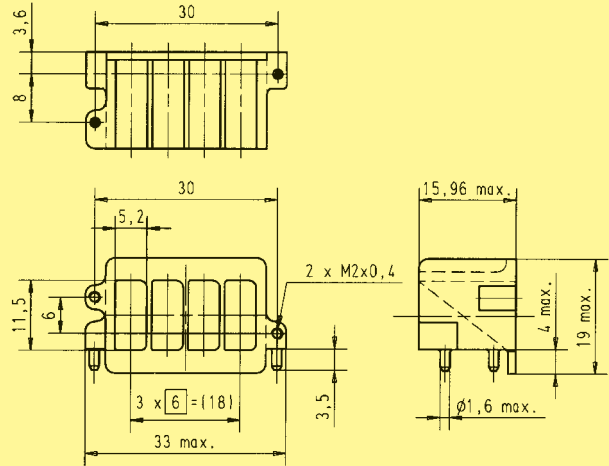


Accessories  
and cable assemblies

Identification	Part No.	Drawing	Dimensions [mm]
----------------	----------	---------	-----------------

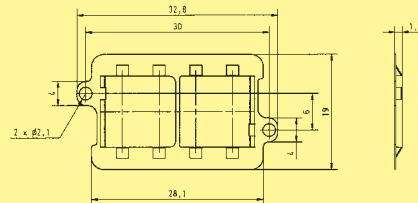
Bracket  
with four cavities

27 71 040 0001



Gasket  
with four cavities

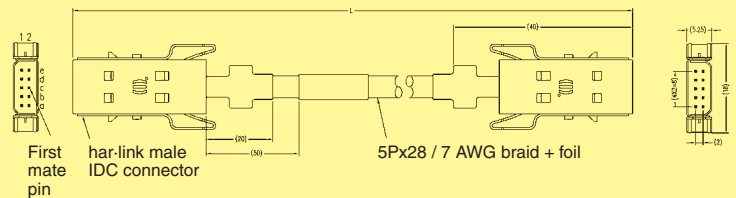
27 71 040 0002



Standard cable assembly  
with **single** shielding  
and 1:1 wiring

Length: L = 0.5 m  
L = 1.0 m  
L = 2.0 m

33 27 243 0500 001  
33 27 243 1000 002  
33 27 243 2000 003



High end cable assembly  
with **double** shielding  
and 1:1 wiring  
suitable for HF applications

Length: L = 0.5 m  
L = 1.0 m  
L = 2.0 m

33 27 243 0500 006  
33 27 243 1000 007  
33 27 243 2000 008

