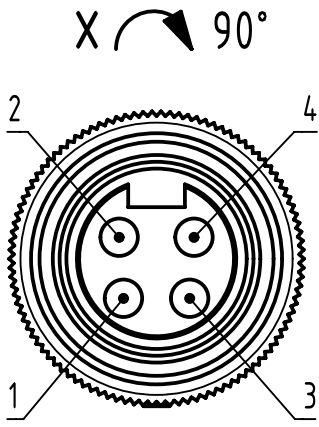
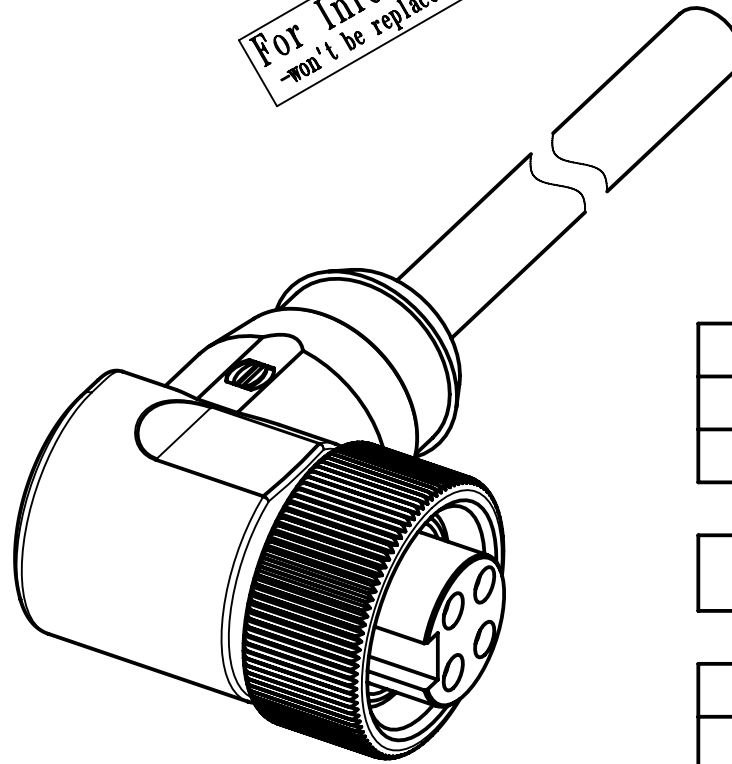


7/8" 4-poles, female angled connector

X ↑

For Information Only
-won't be replaced when changed-



Loading-Plan:

- 1 — brown
- 2 — white
- 3 — blue
- 4 — black

- Protection level: IP67
- Temperature range: -25°C ... +80°C

length in "1m" step	100	XXX=000
	99	XXX=990
	.	.
	12	XXX=120
length in "0.1m" step	11	XXX=110
	10	XXX=100
	9.9	XXX=099
	9.8	XXX=098
	.	.
	.	.
	0.4	XXX=004
	0.3	XXX=003
	0.2	XXX=002
	0.1	XXX=001
Step	a [m]	XXX

4.0 to 100	+1%
0.1 to 3.9	+0.04
a [m]	Tolerance

Part no.	213499004XXX
----------	--------------

Type of cable	XX
PVC grey, 4x1.5mm ²	XX=95
PUR black, 4x1.5mm ²	XX=96

All rights reserved Department EC PD - RO		All Dimensions in mm Original Size DIN A3	Scale 1.5:1	Free size tol.	Ref. Sub.
HARTING Electronics GmbH D-32339 Espelkamp	Created by TAMAS	Inspected by	Standardisation	Date 2014-06-16	State Checked Out
Title 7/8 Cable Assembly		Type TB		Number 213499004XXXXX	
Doc-Key / ECM-Nr. 100580928/UGD/009/A					Rev. A
					Page 1/1